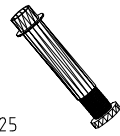
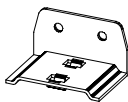
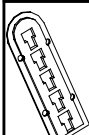

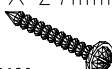
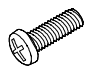
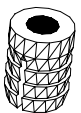
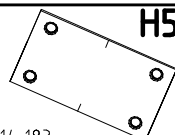

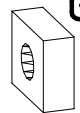
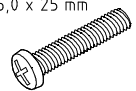

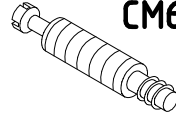

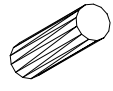
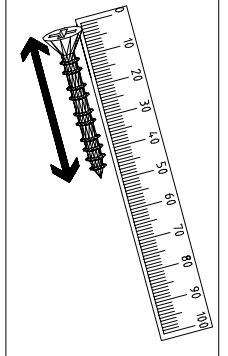
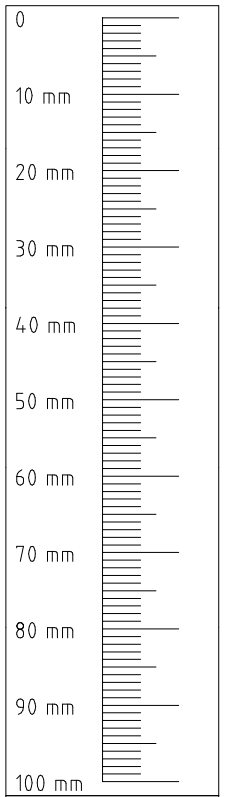
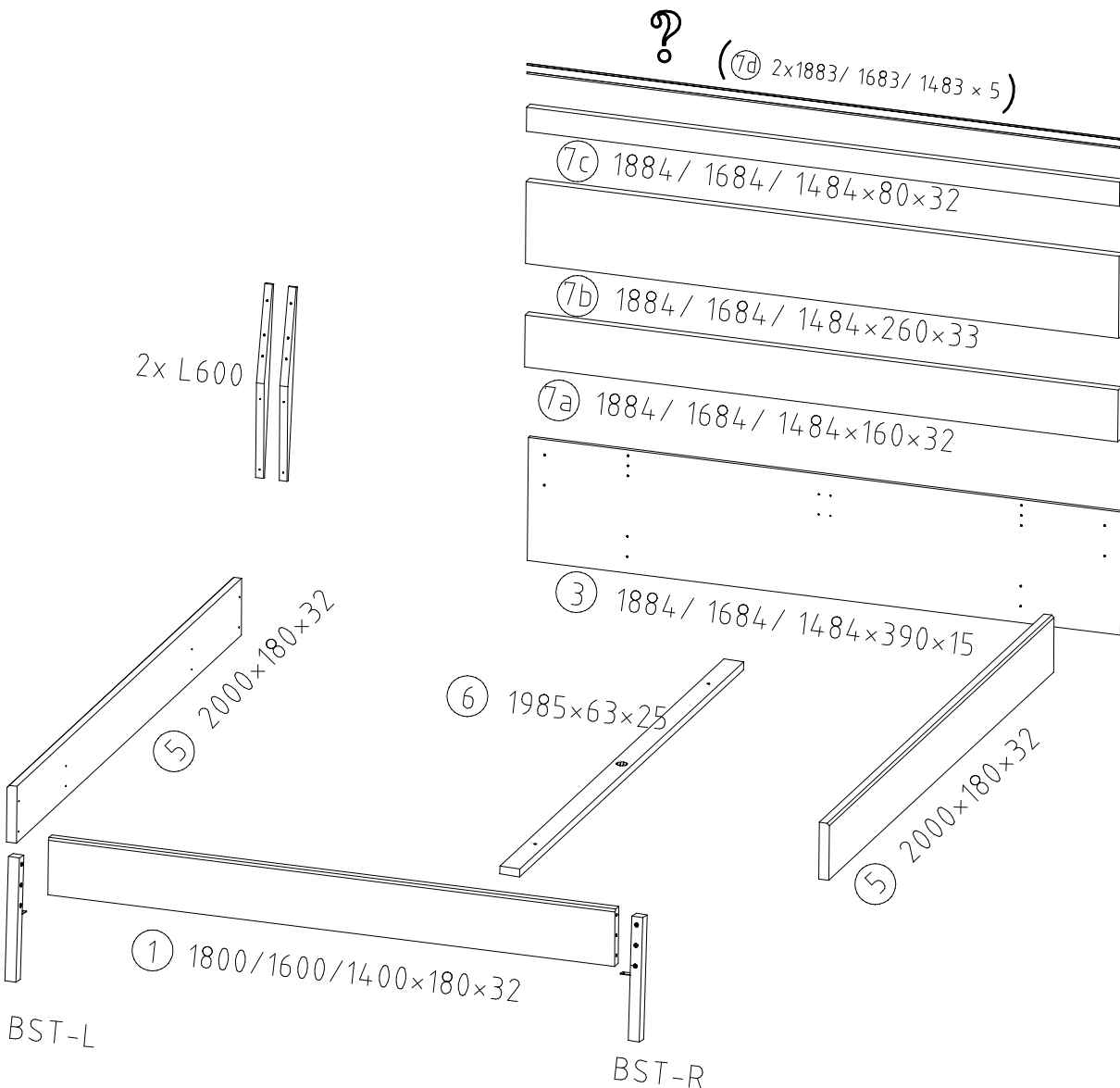
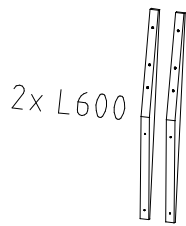
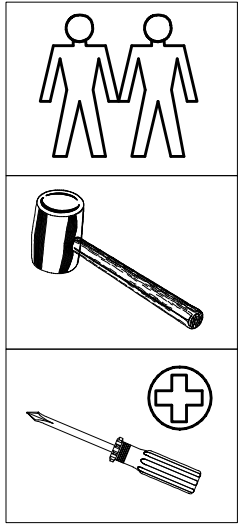
 111 131	o 4x
 111625	o9 1x
 111 627	o7 6x
 111 626	o6 6x

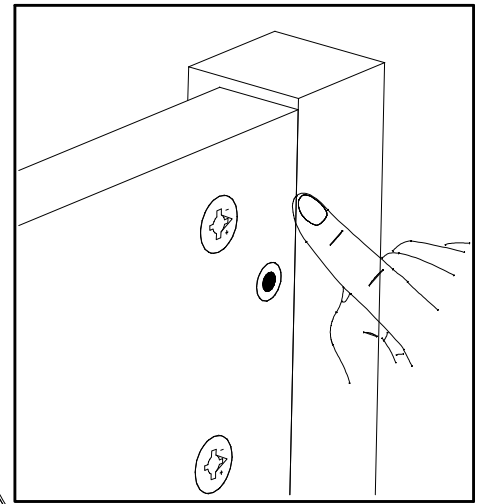
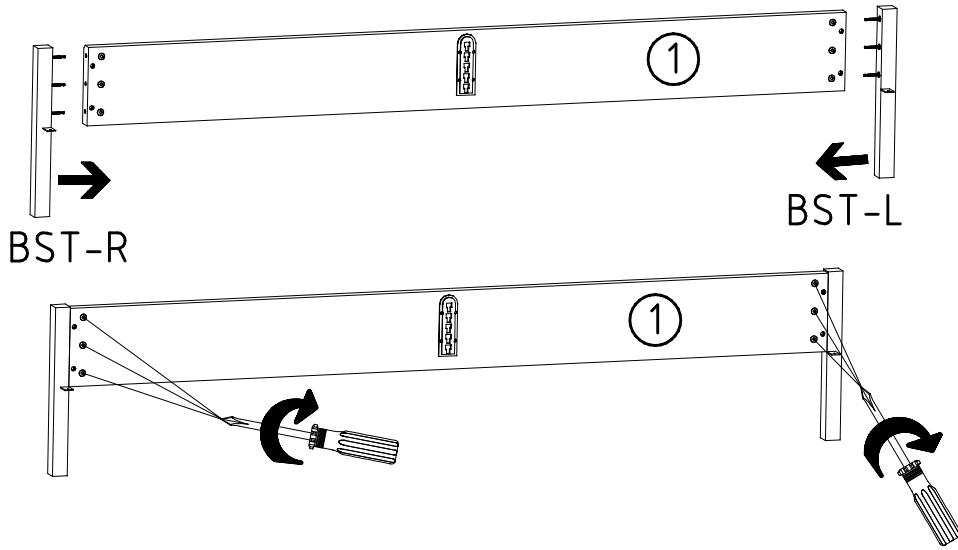
 121 110	4,0 x 15 mm G23 52x
 122620	4 X 27mm SP27 36x
 121 148	6,0 x 12 mm G4 4x
 111 112	ø 10 x 13 mm H 4x

 114 183	H5 6x
 129 407	US ø12 4x
 121 150	G6 4x
 121 156	5,0 x 25 mm G5 4x

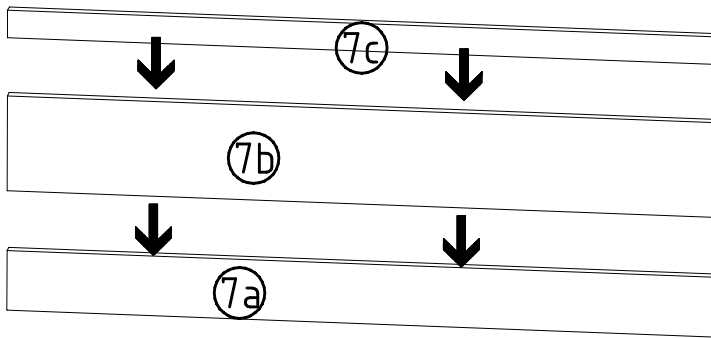
 111 102	A 6x
 111 100	CM6 6x
 121 115	SP40 4 X 40 mm 1x
 353 018	D ø8 x 30 2x



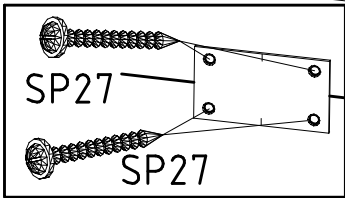
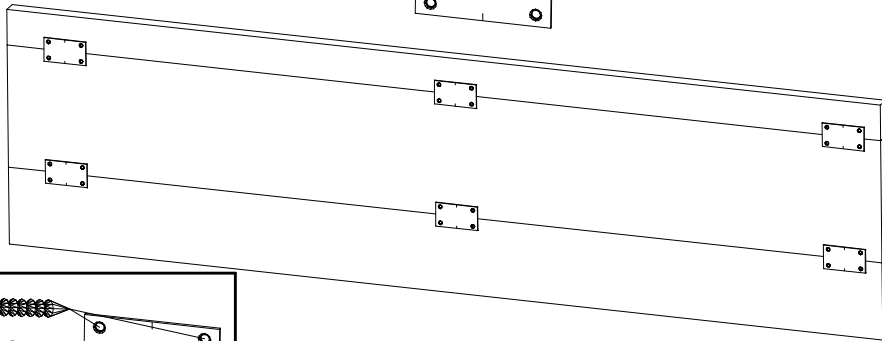
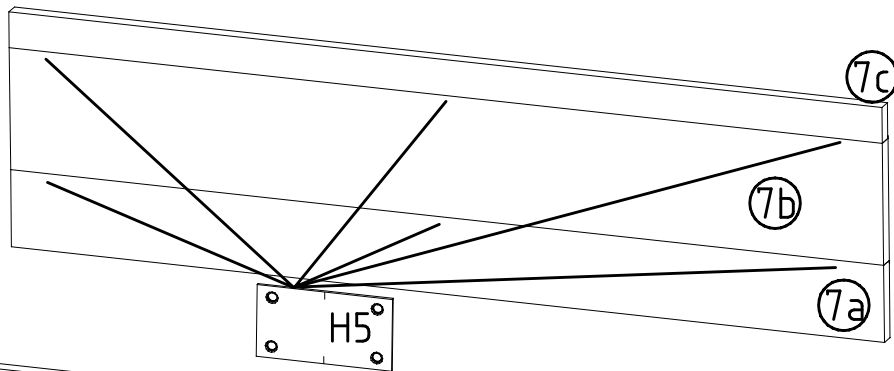
4



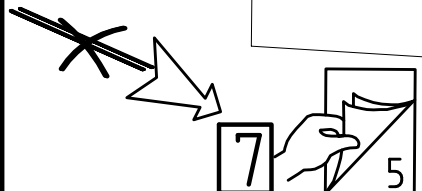
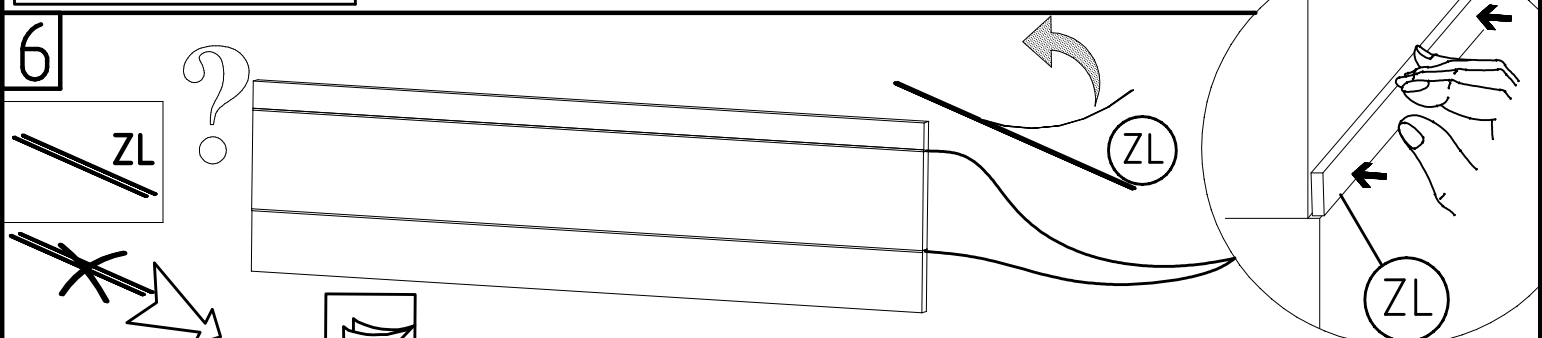
5



H5
114 183
SP27
4 X 27mm
122620



6

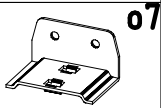


7

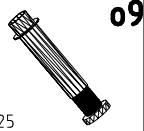
4,0 x 15 mm G23



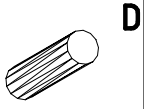
121 110



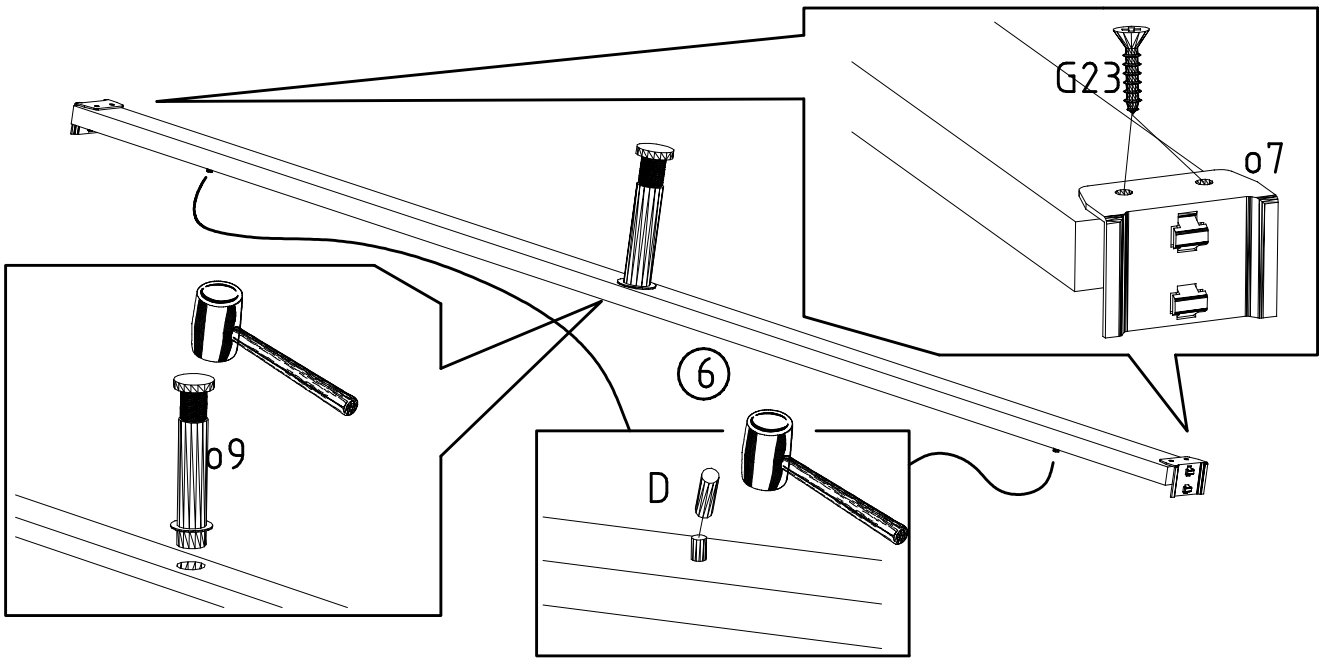
111 627



111625

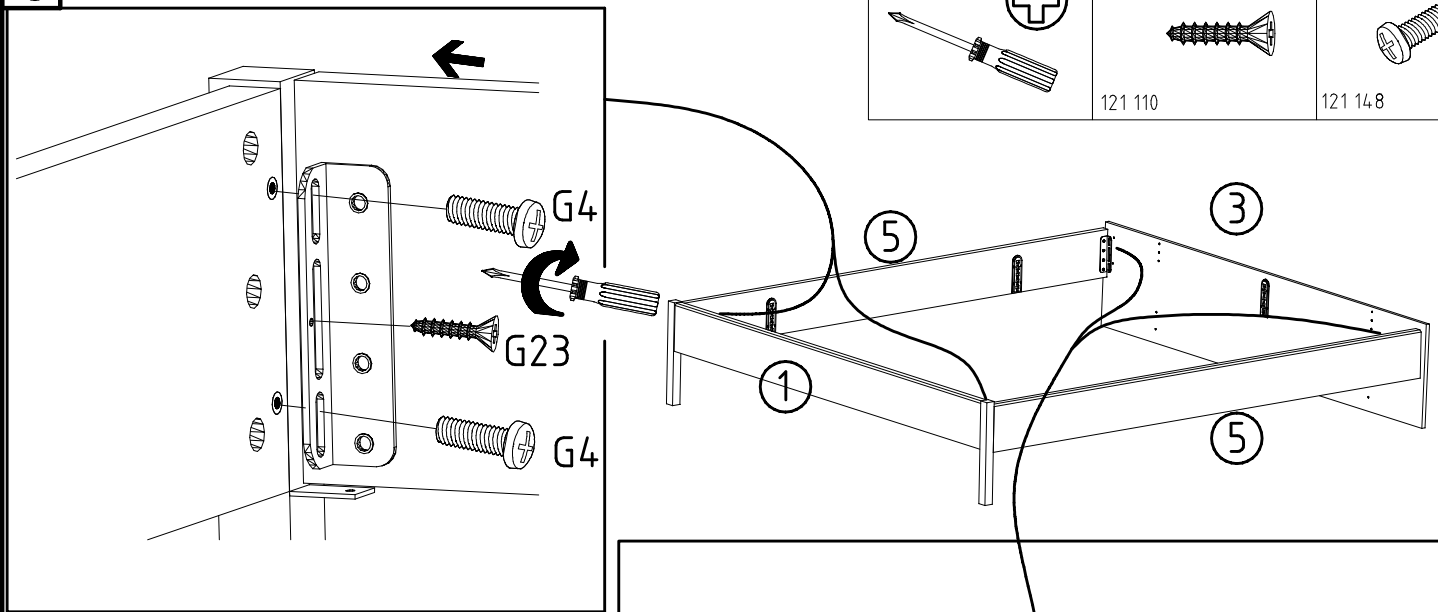


353 018 ø8 x 30



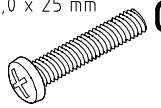
8

	4,0 x 15 mm G23	6,0 x 12 mm G4
	121 110	121 148



9

5,0 x 25 mm G5



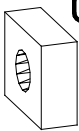
121 156

US



129 407 ø12

G6

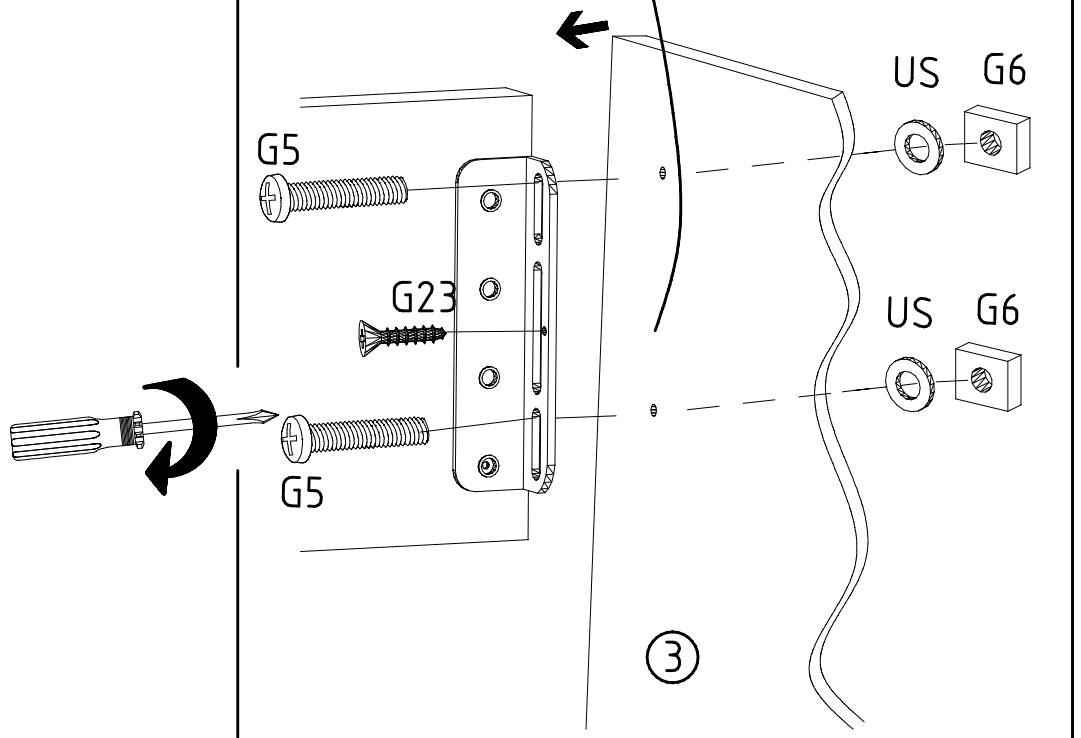


121 150

4,0 x 15 mm G23



121 110



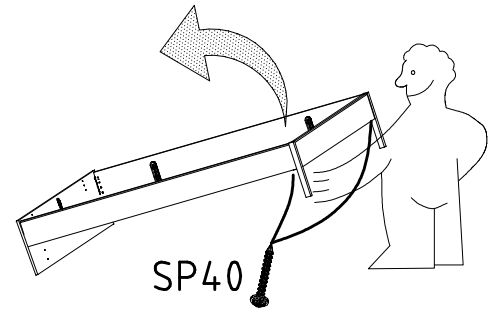
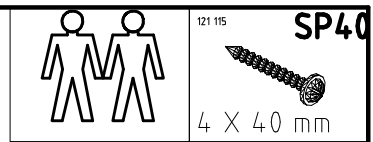
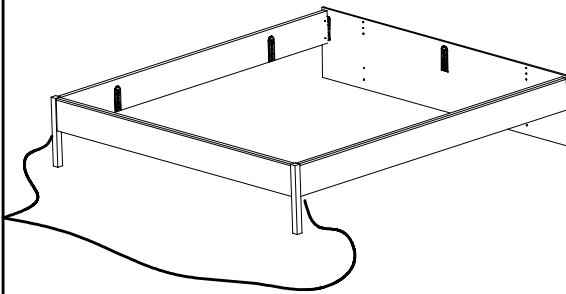
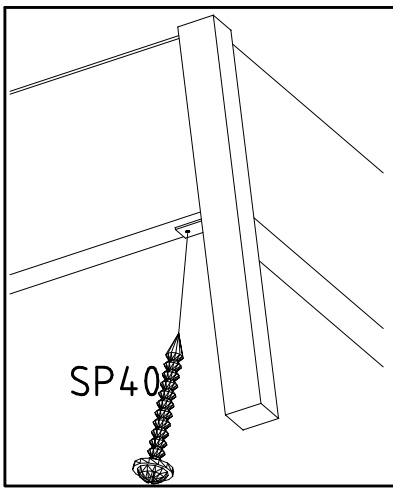
980406

15.01.09 / 01.11.09

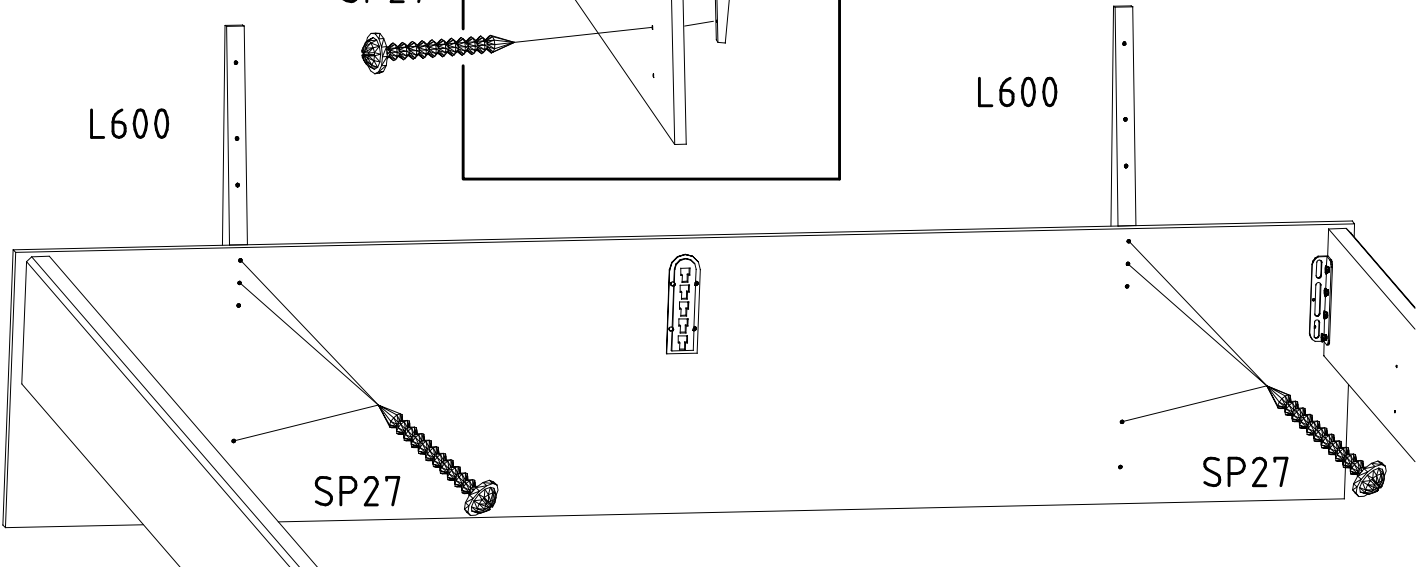
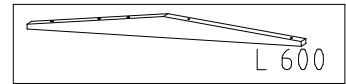
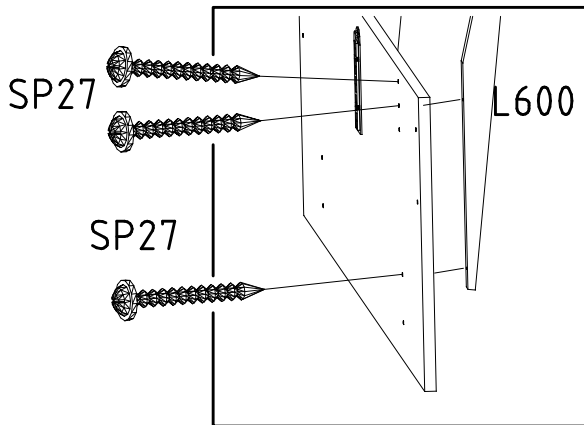
11 09

5/7

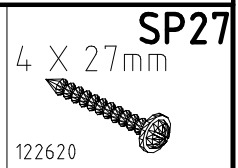
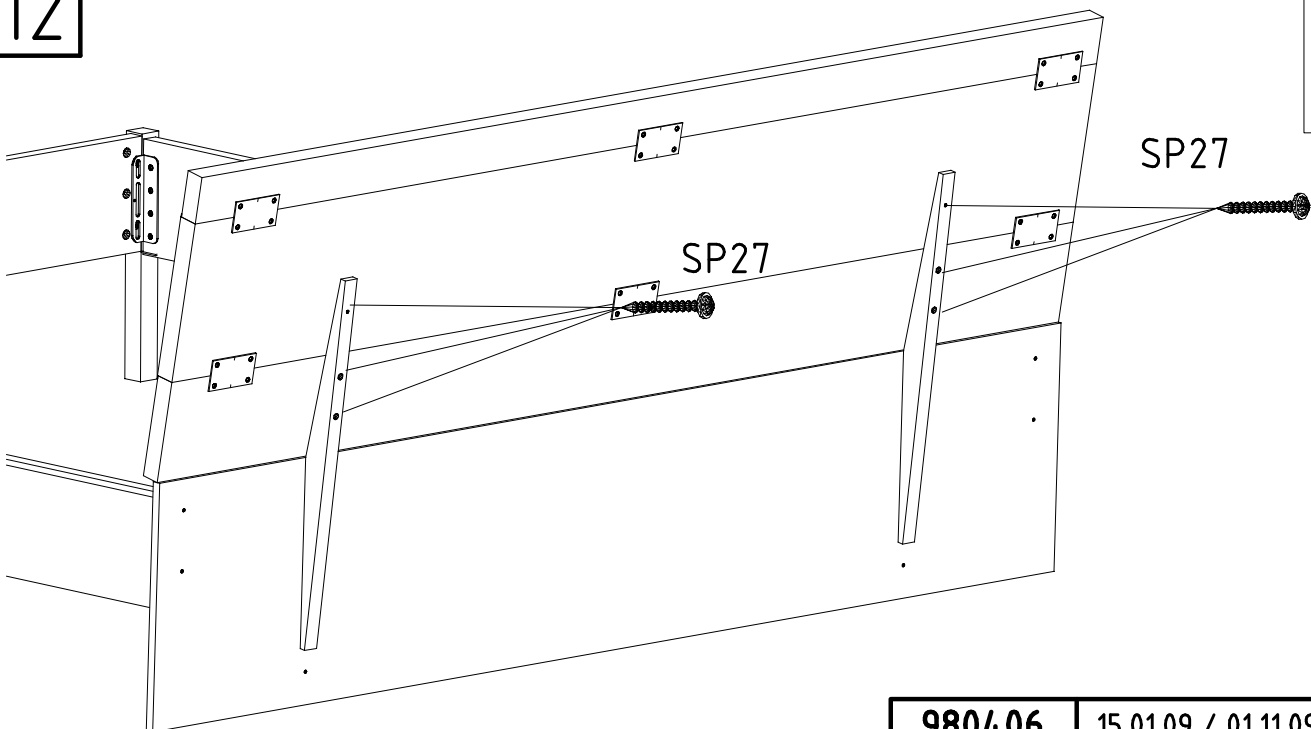
10

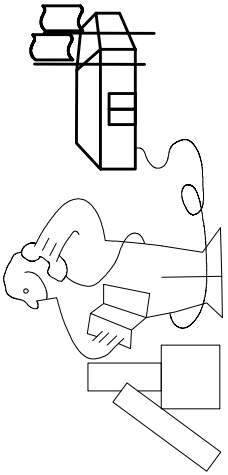
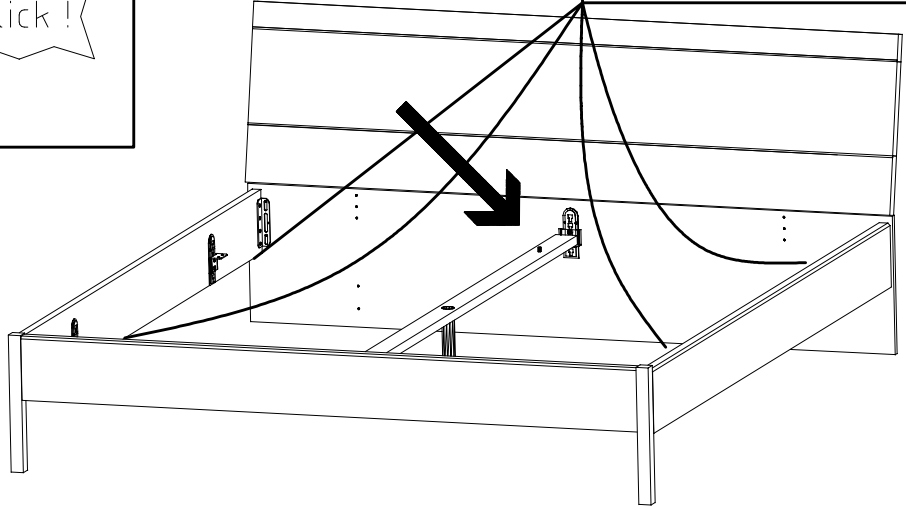
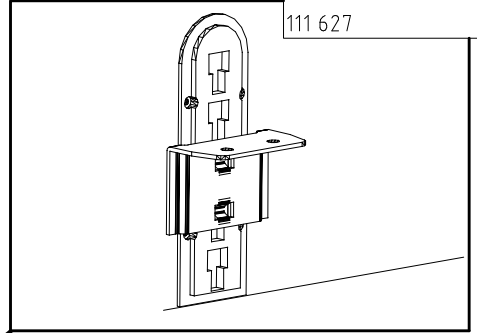
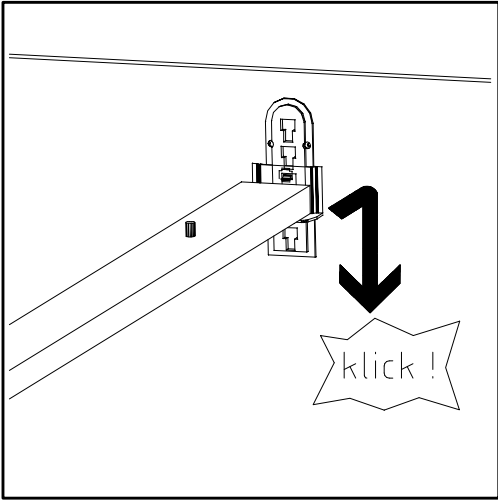
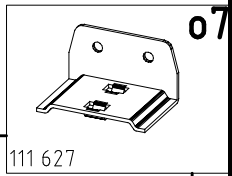


11

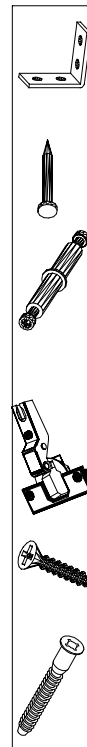
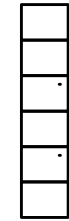
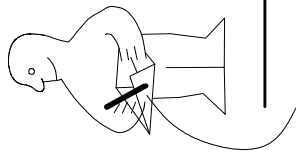
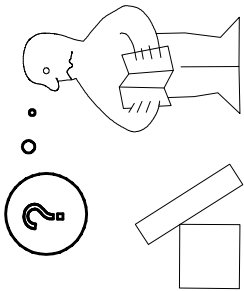
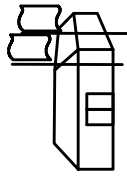
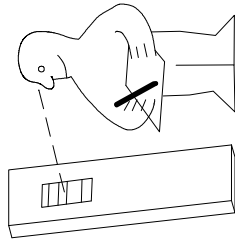


12





Modell/Model/Modèle



(121 370)	(G 1)	(4x)