


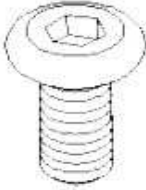


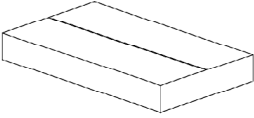
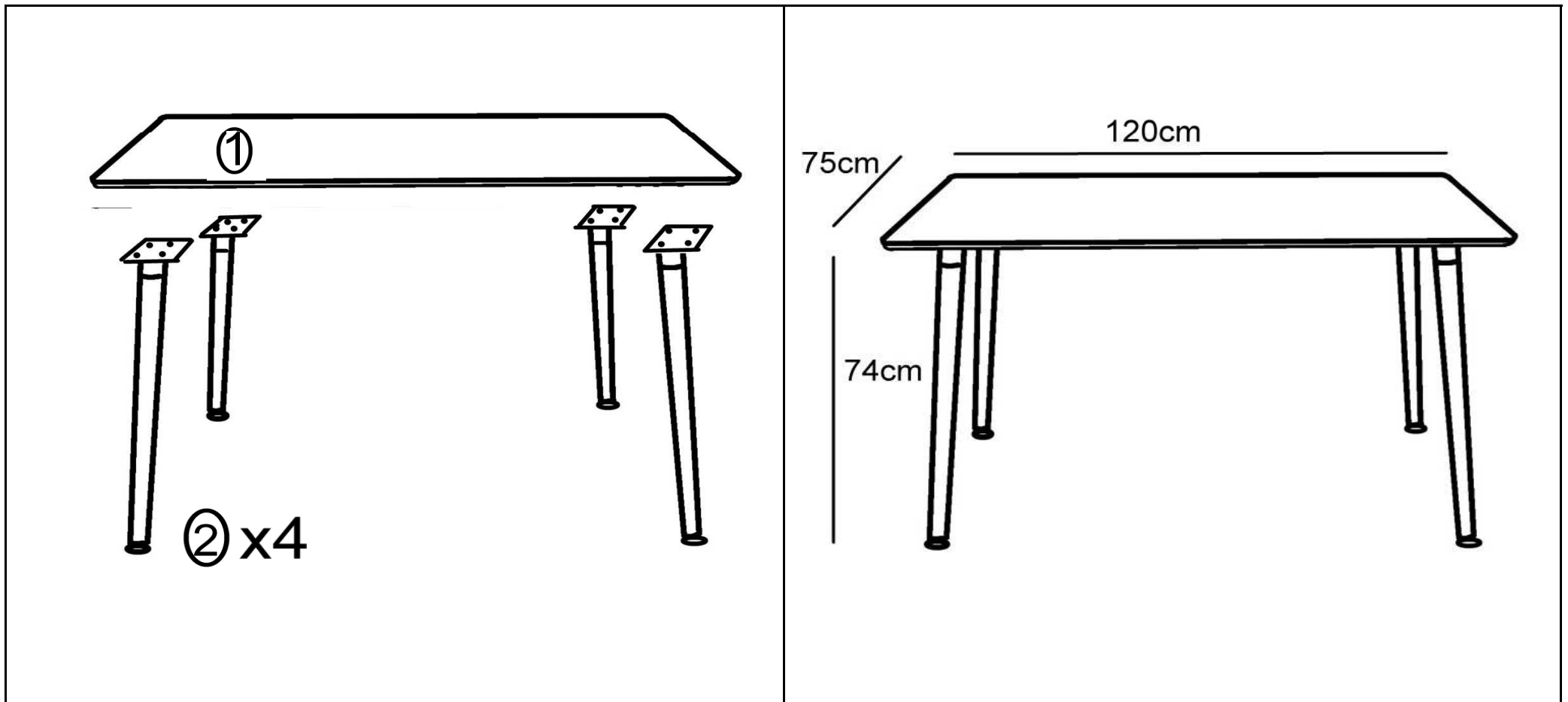


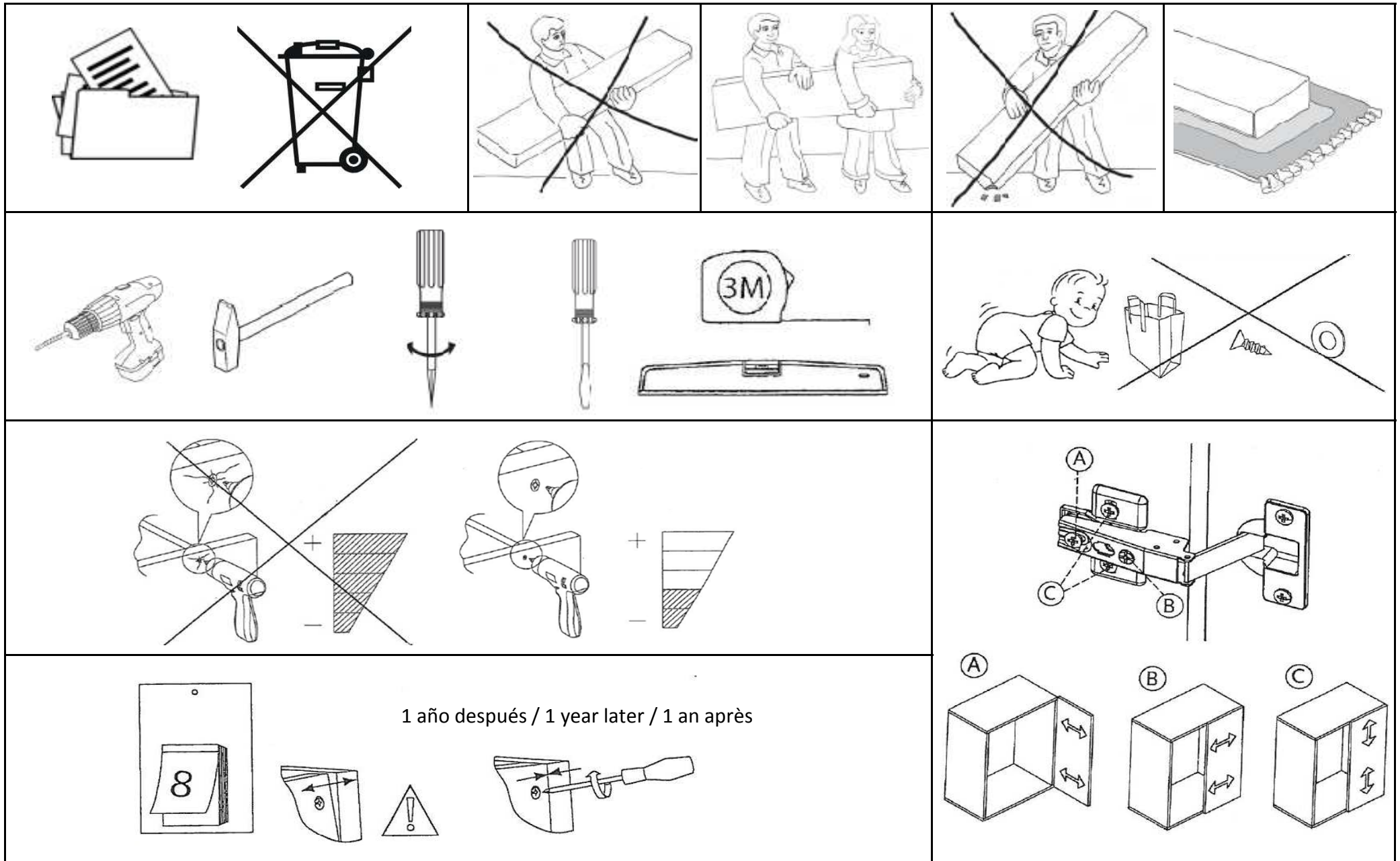
C498

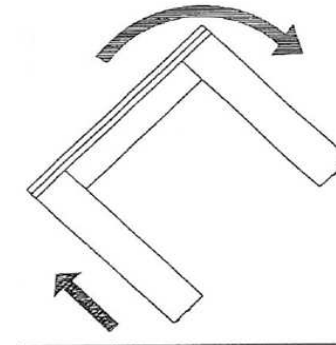
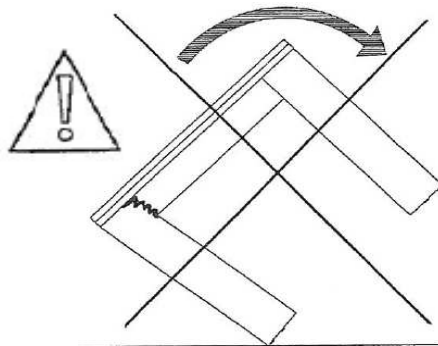
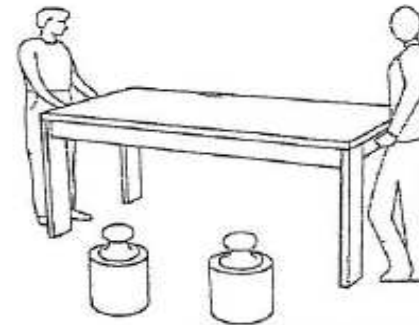
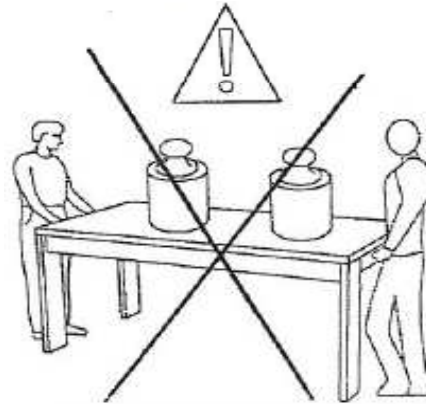
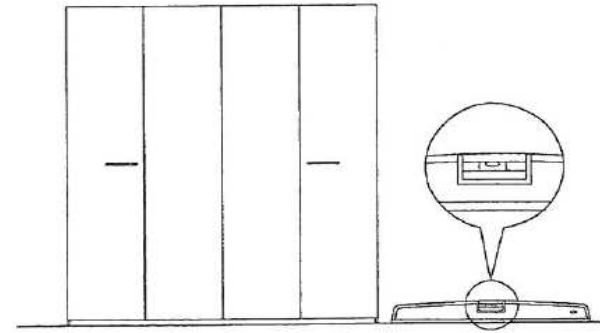
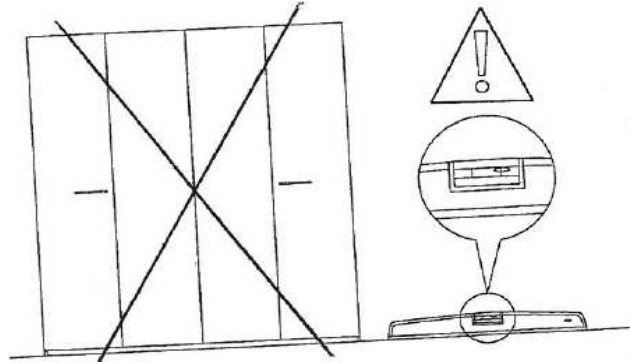


 x1	 10 min				
	x2	x1	x16	x16	x16



C498





C498

