



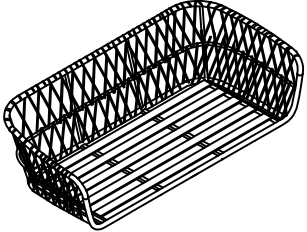
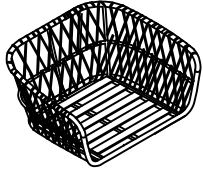
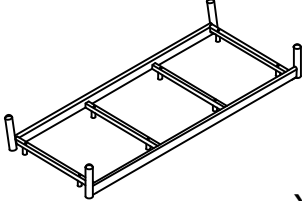
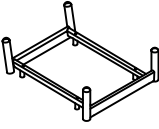
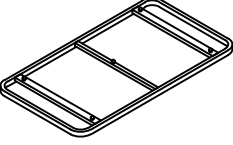
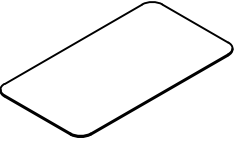
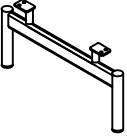
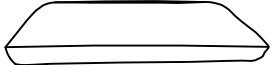

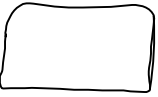


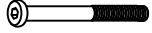



Item NO: BK82438
DEC: Carlijn loungeset

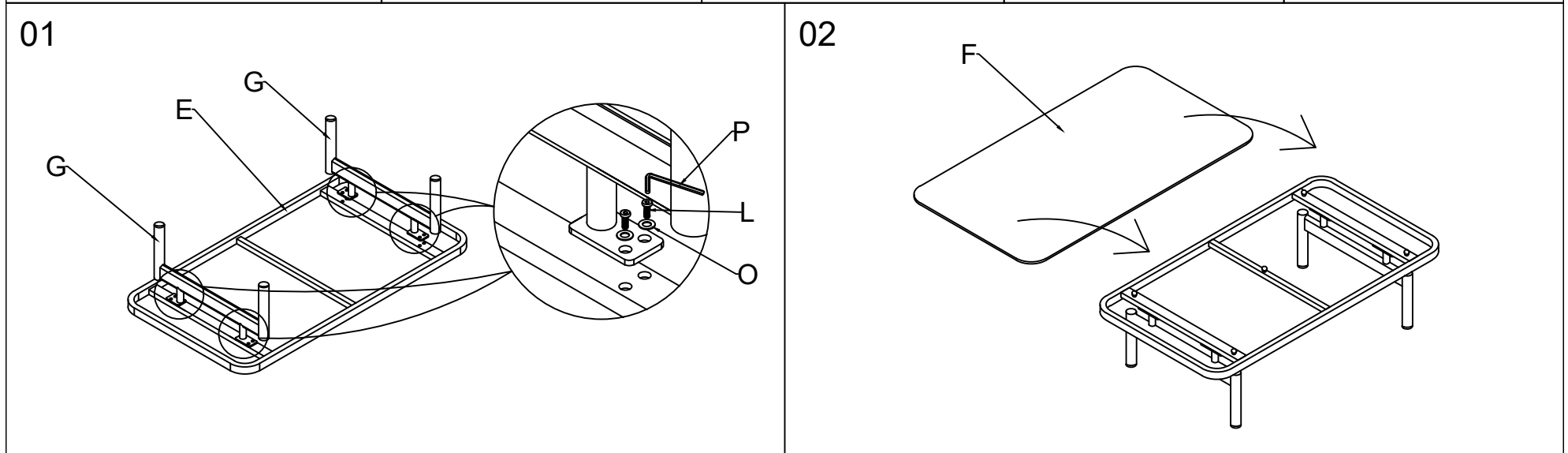
Have Your Attention

(1) Do not tighten the screws until making sure all the screws are lining up with the holes, otherwise some screws may not line up with the holes:

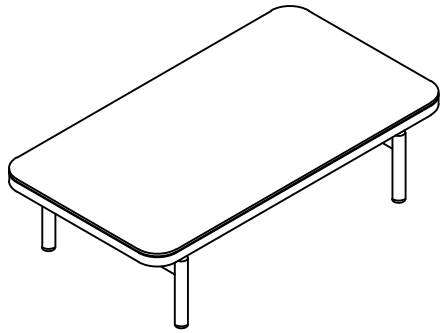
(2) If this situation occurs during assembly, please loosen the screws which have been tightened, make sure all the screws line up with all the holes, tighten a little and tighten them in diagonal way again:

(3) If the product is uneven after assembly, please put it on the flat ground, and loosen the screws, put strength on the frame, make sure all the product legs are in the same level and then go on assembling it.

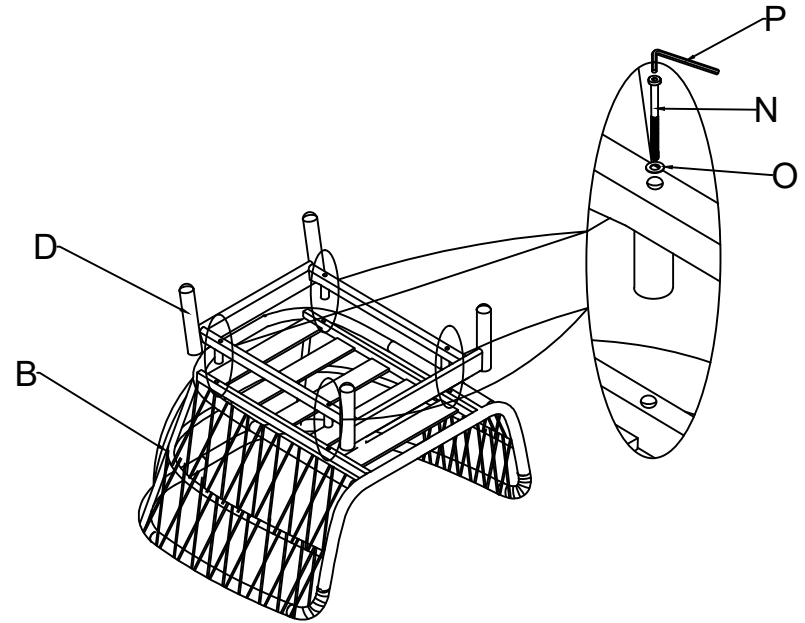
A  x1	B  x2	C  x1	D  x2	E  x1
F  x1	G  x2	H  x1	I  x2	J  x2
K  x2	L  M6x20mm x8	M  M6x75mm x4	N  M6x100mm x12	O  x24 P  x1



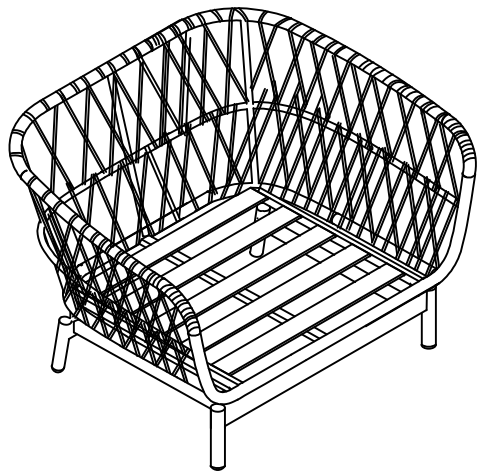
03



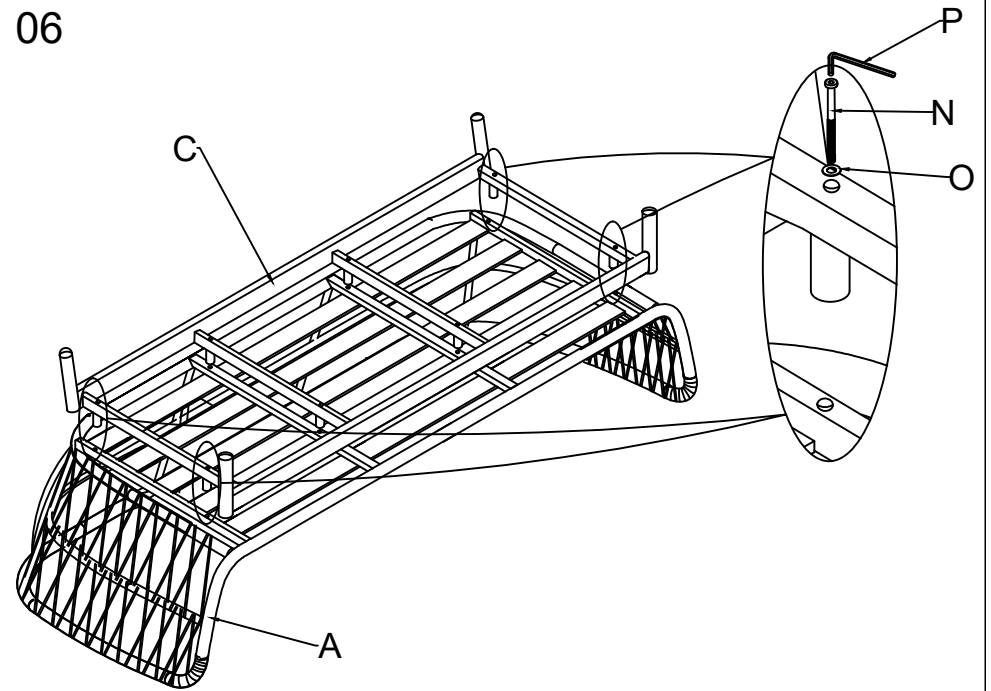
04



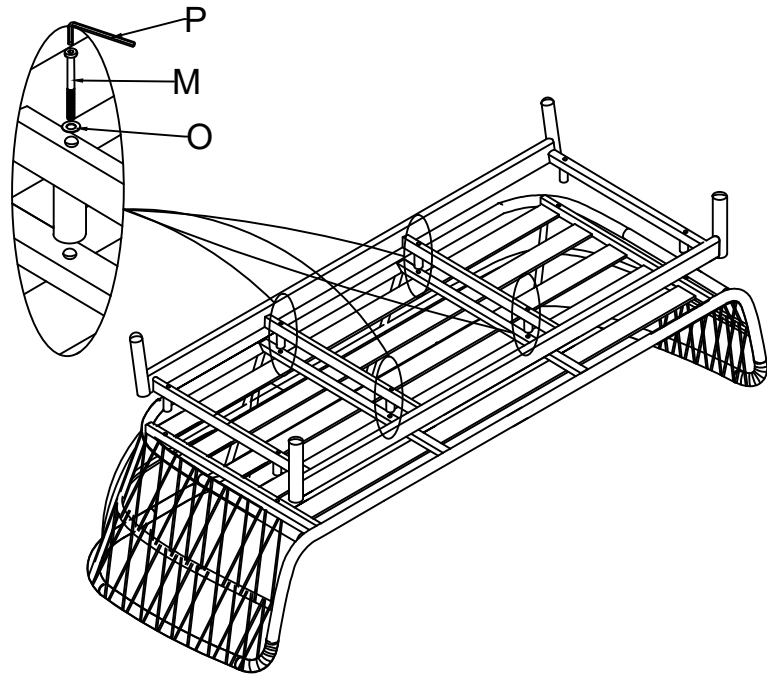
05



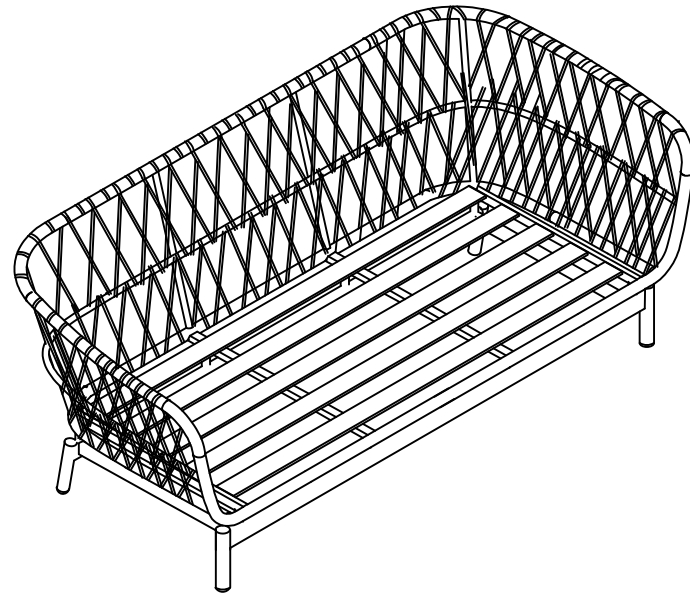
06



07



08



09

