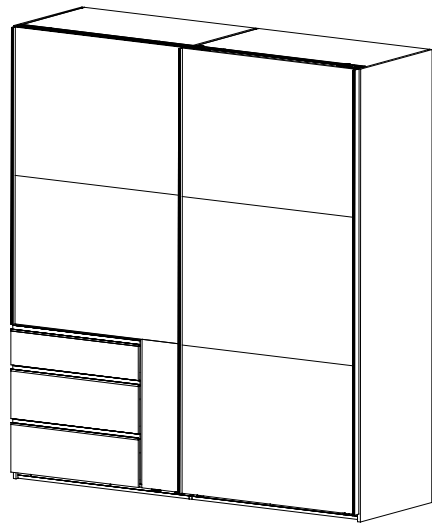
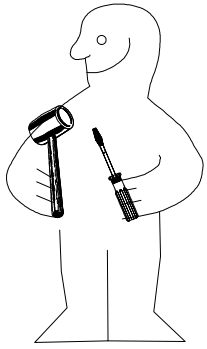
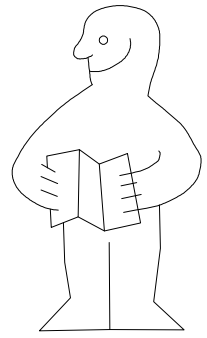
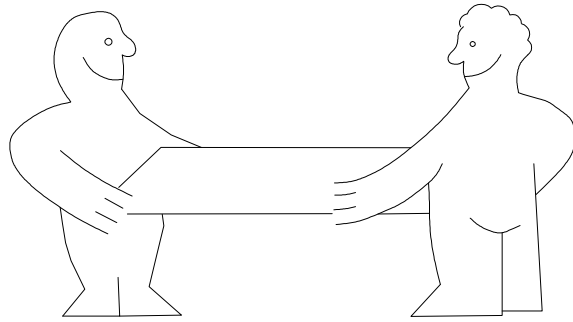
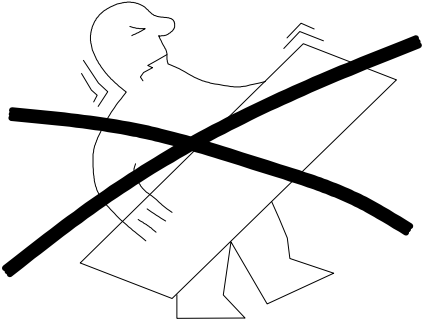




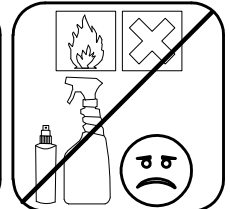
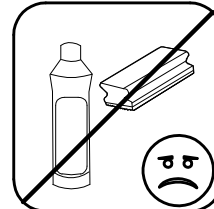
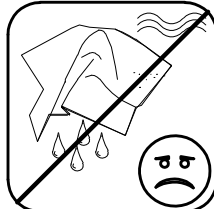
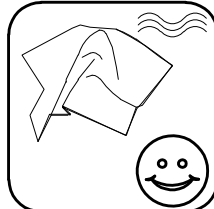
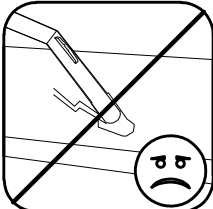
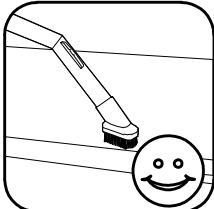
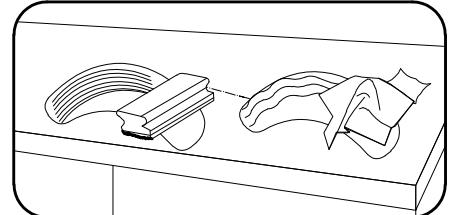
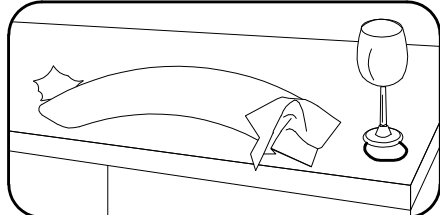
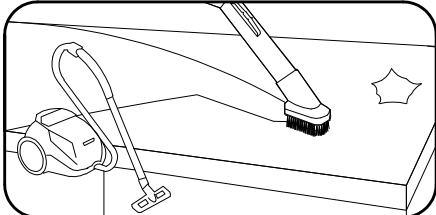
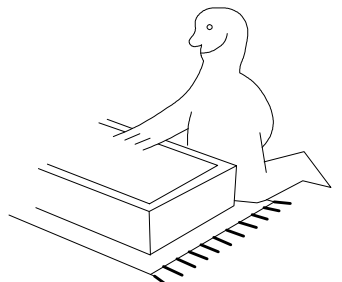
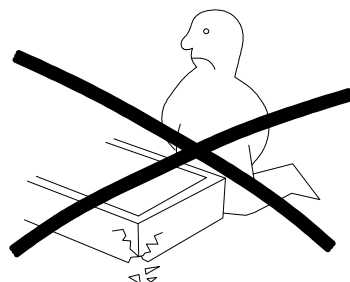
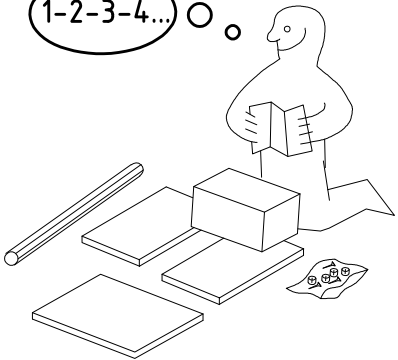
980710



HSP 200 ASK



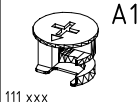
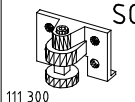

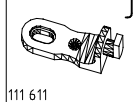
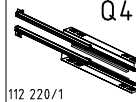
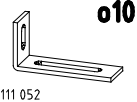
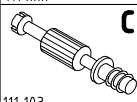
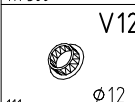

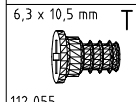
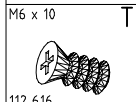

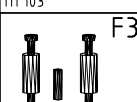
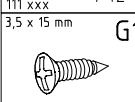
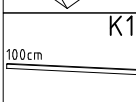
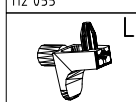
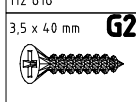
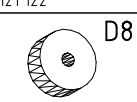
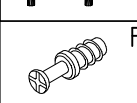
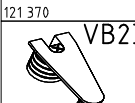
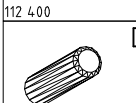

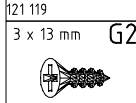
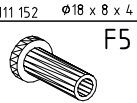
1-2-3-4... ○



980710

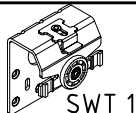
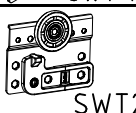
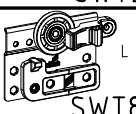
06.06.17 / -

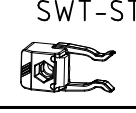
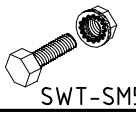
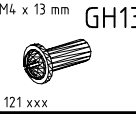
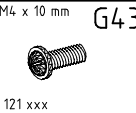
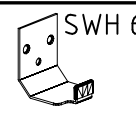
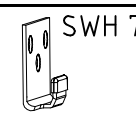
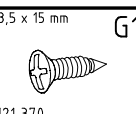
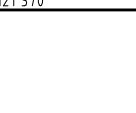
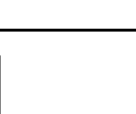
06 17 | 1/22

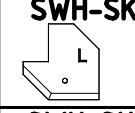
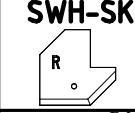


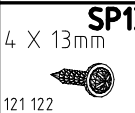
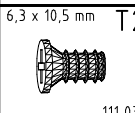
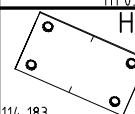
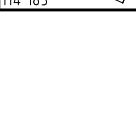
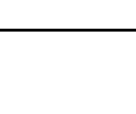
 A1 111 xxx 16x	 S0 111 300 10x	 K2 117 002 4x	 J2 111 611 6,3 x 10,5 mm 6x	 Q45 112 220/1 M6 x 10 3x	 o10 111 052 1x
 C 111 103 8x	 V12 111 xxx φ12 3,5 x 15 mm 10x	 SBV 22x	 T1 112 055 20x	 T3 112 616 3,5 x 40 mm 6x	 SP13 4 X 13mm 121 122 3x
 F3 4x	 G1 121 370 28x	 K10 100cm 2x	 L8 111 607 12x	 G25 121 119 3 x 13 mm 7x	 D8 111 152 φ18 x 8 x 4 6x
 F 111 229 4x	 VB23 111 252 4x	 D 353 018 φ8 x 30 2x	 Z 163 007 2x	 G21 121 113 12x	 F5 111 xxx φ5 x 15 x M4 6x

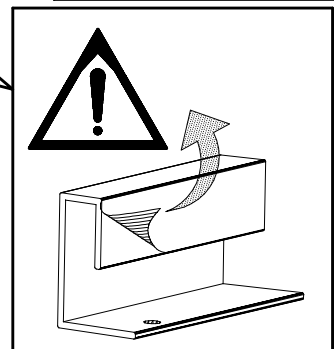
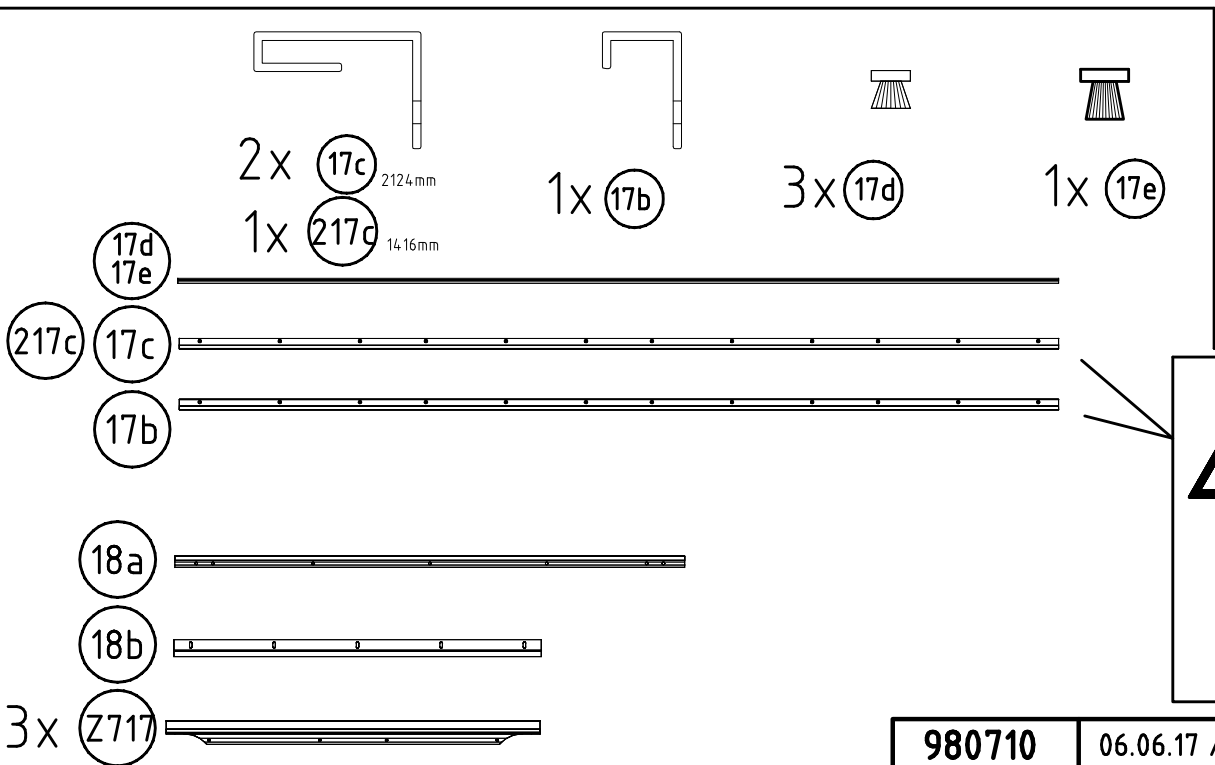
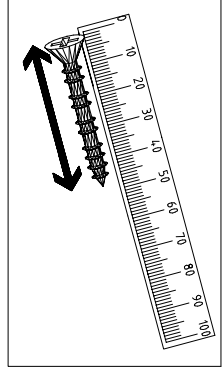
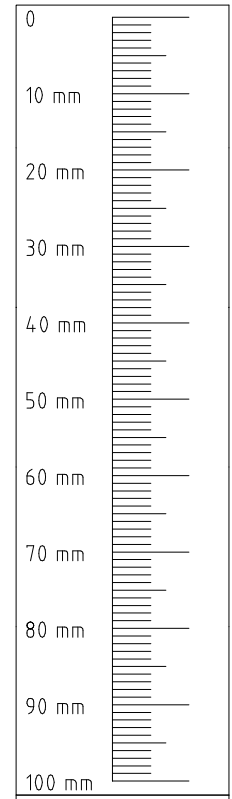
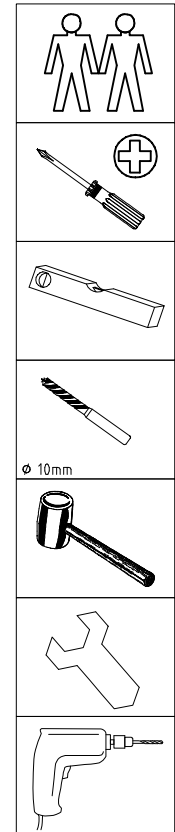
1x **FPK**
1453/1940/2430/2920/3408

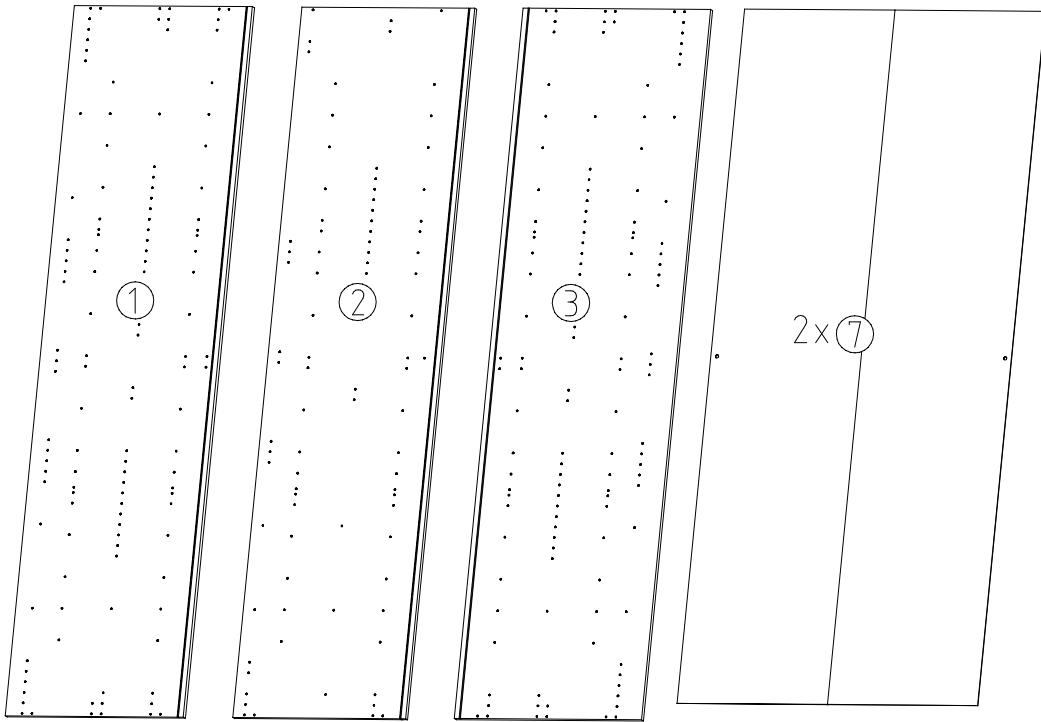
1x **SWT-LP**
1453/1940/2430/2920
/3410 SY

 SWT 1	2x
 SWT2	1x
 SWT8	1x

 SWT-ST	2x
 SWT-SM5 M4 x 13 mm	2x
 GH13 121 xxx	4x
 G43 M4 x 10 mm	4x
 121 xxx	4x
 SWH 6	2x
 SWH 7	2x
 G1 3,5 x 15 mm	1x
 121 370	1x

 SWH-SKL L	1x
 SWH-SKR R	1x
 G24 3,5 x 22 mm	7x
 G14 3,5 x 35 mm	2x
 121 375	2x
 SP13 4 X 13mm	73x
 T2 121 122 6,3 x 10,5 mm	24x
 H5 111 030	5x
 114 183	



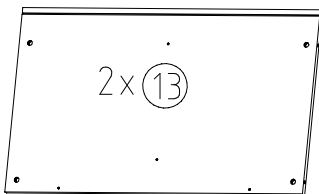


2160x577x15

2160x560x15

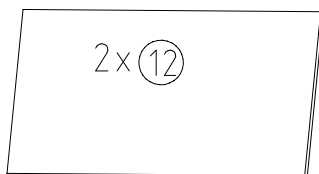
2160x607x15

2111x973x2,5



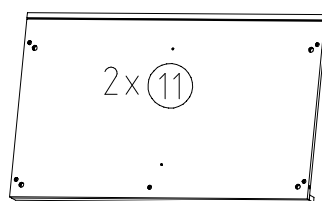
2x 13

964x560x15



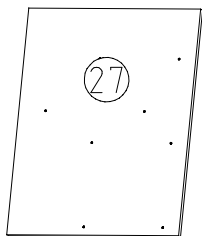
2x 12

964x500x18



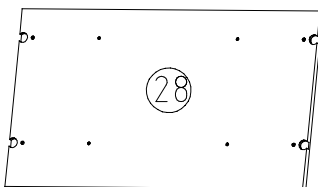
2x 11

964x560x47



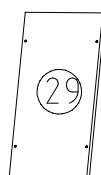
27

689x557x15



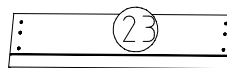
28

964x540x22



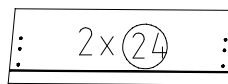
29

250x500x18



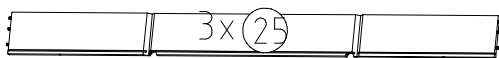
23

717x163x15



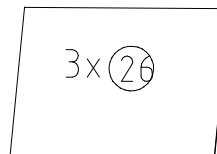
2x 24

717x227x15



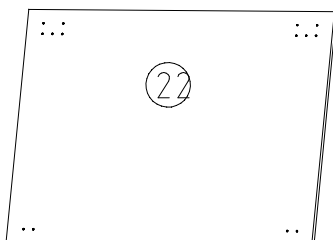
3x 25

450/675/450x126x12



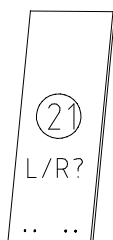
3x 26

661x449x2,5



22

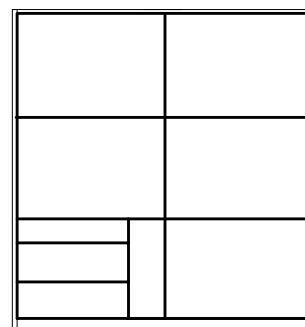
5x 990x708x15



21

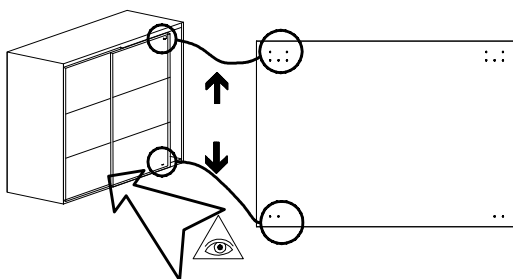
L/R?

268x708x15

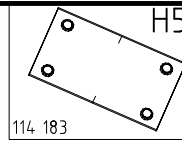
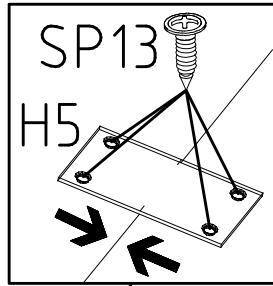
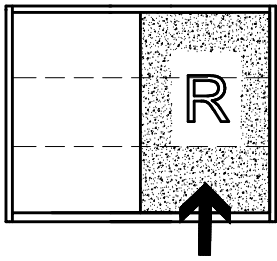


L

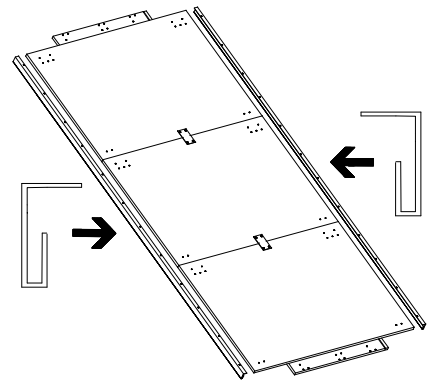
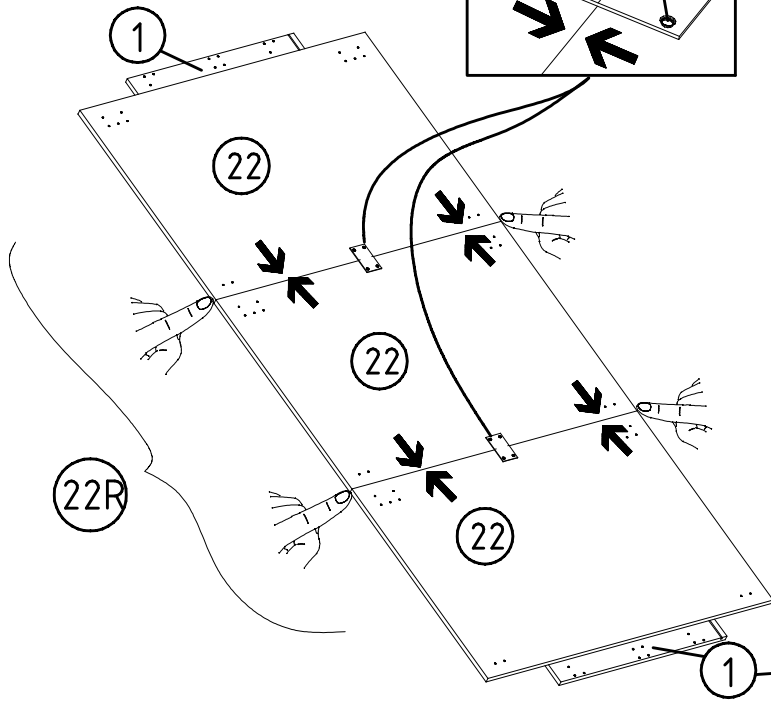
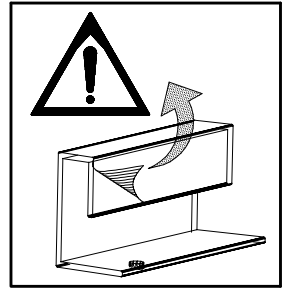
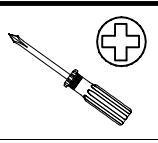
R



1



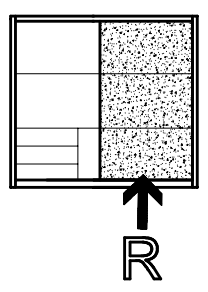
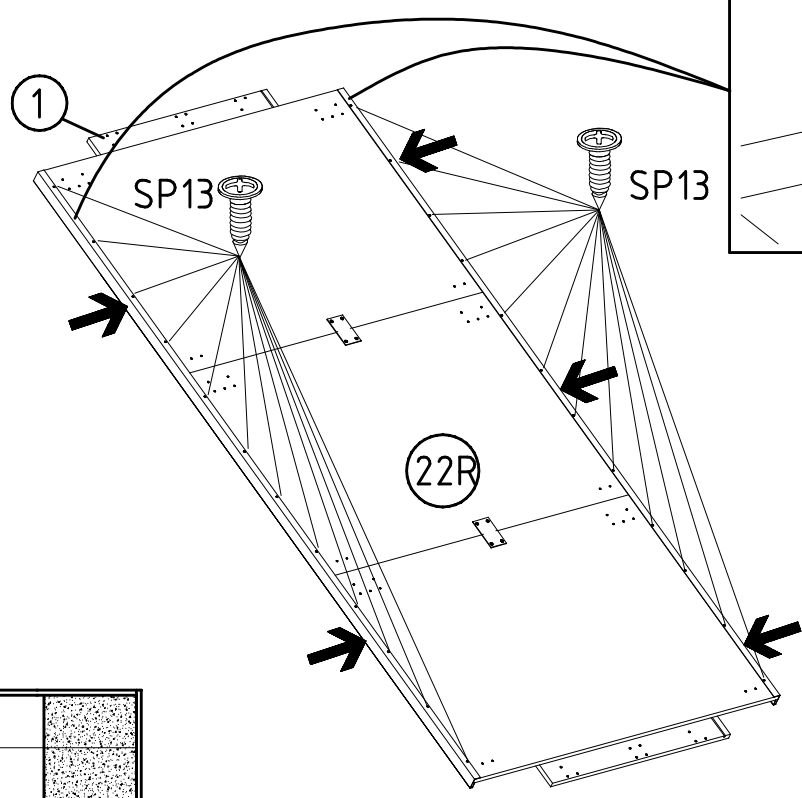
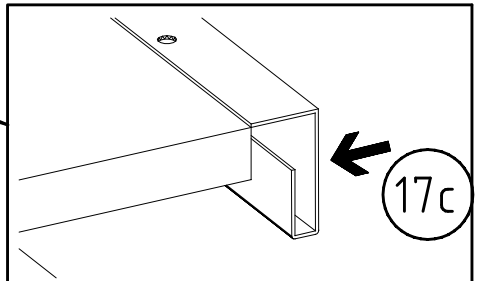
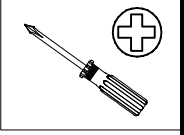
4 X 13mm
SP13
121 122



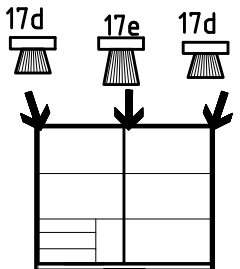
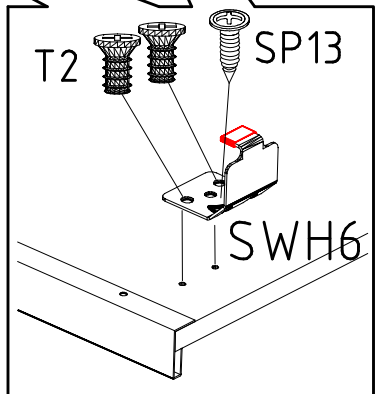
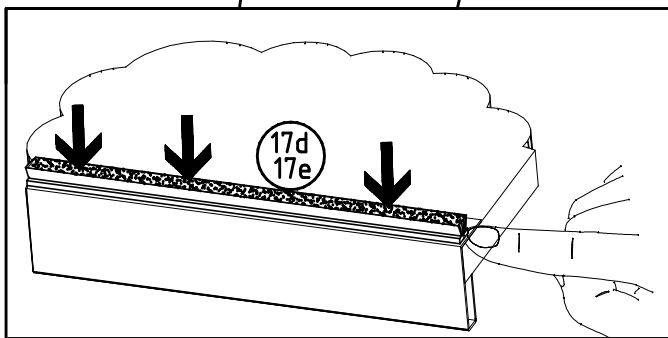
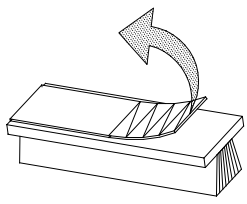
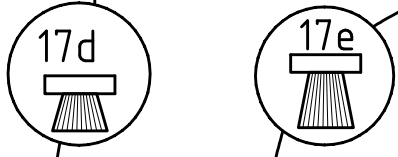
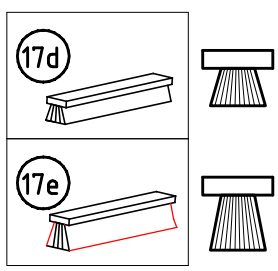
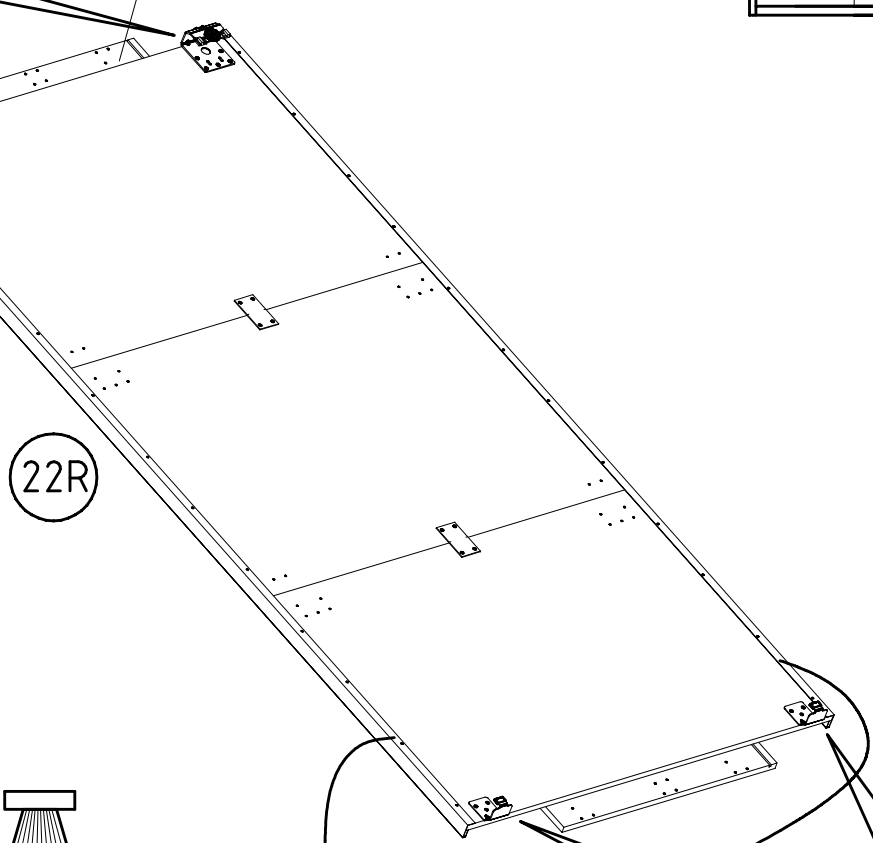
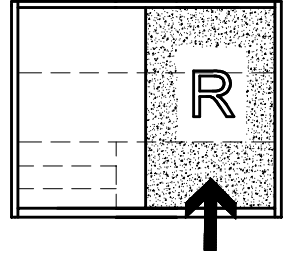
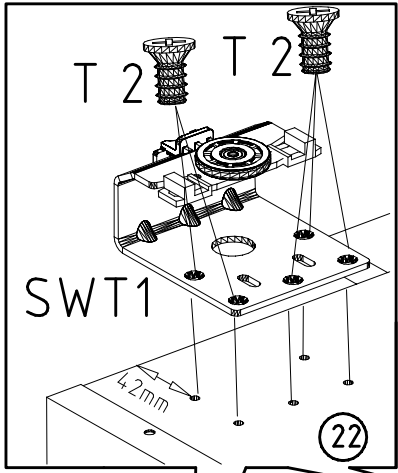
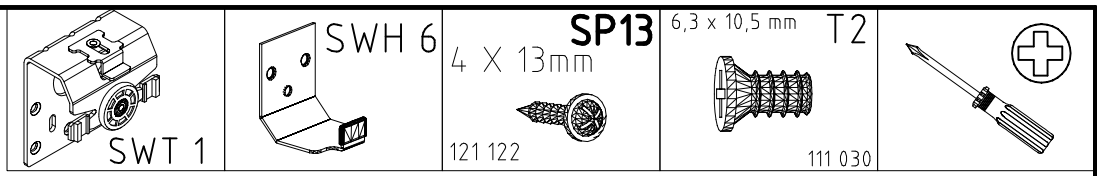
2x 17c

2

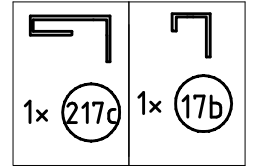
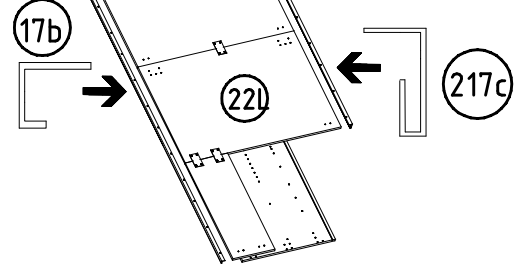
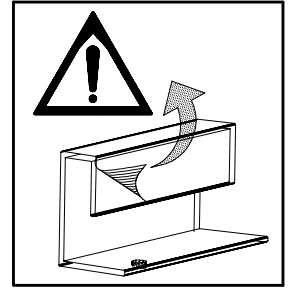
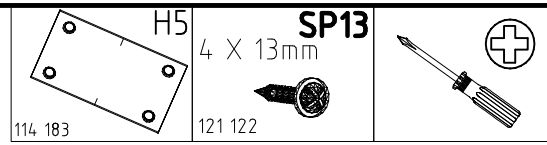
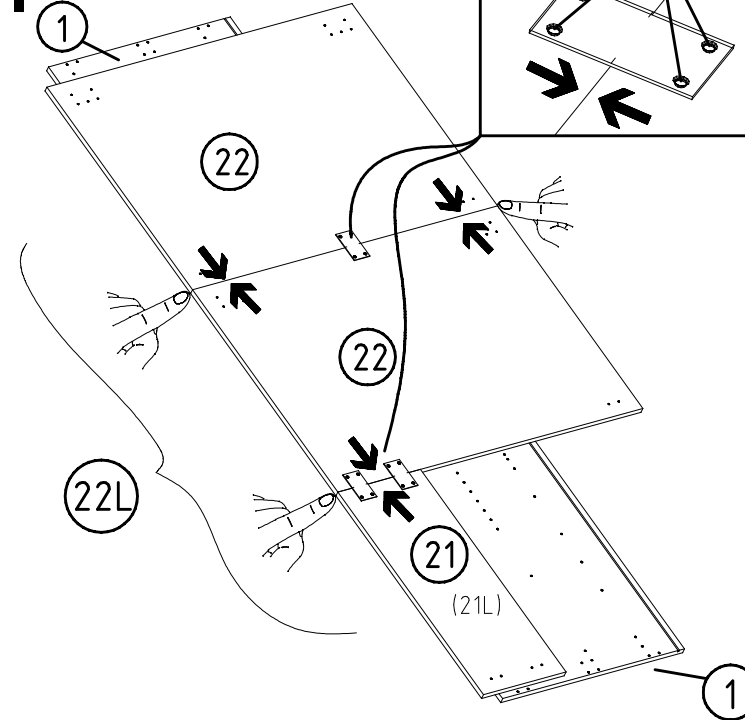
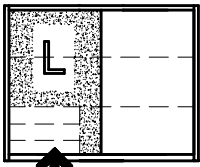
4 X 13mm
SP13
121 122



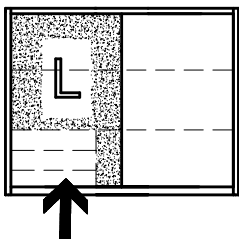
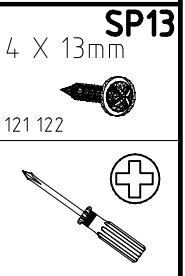
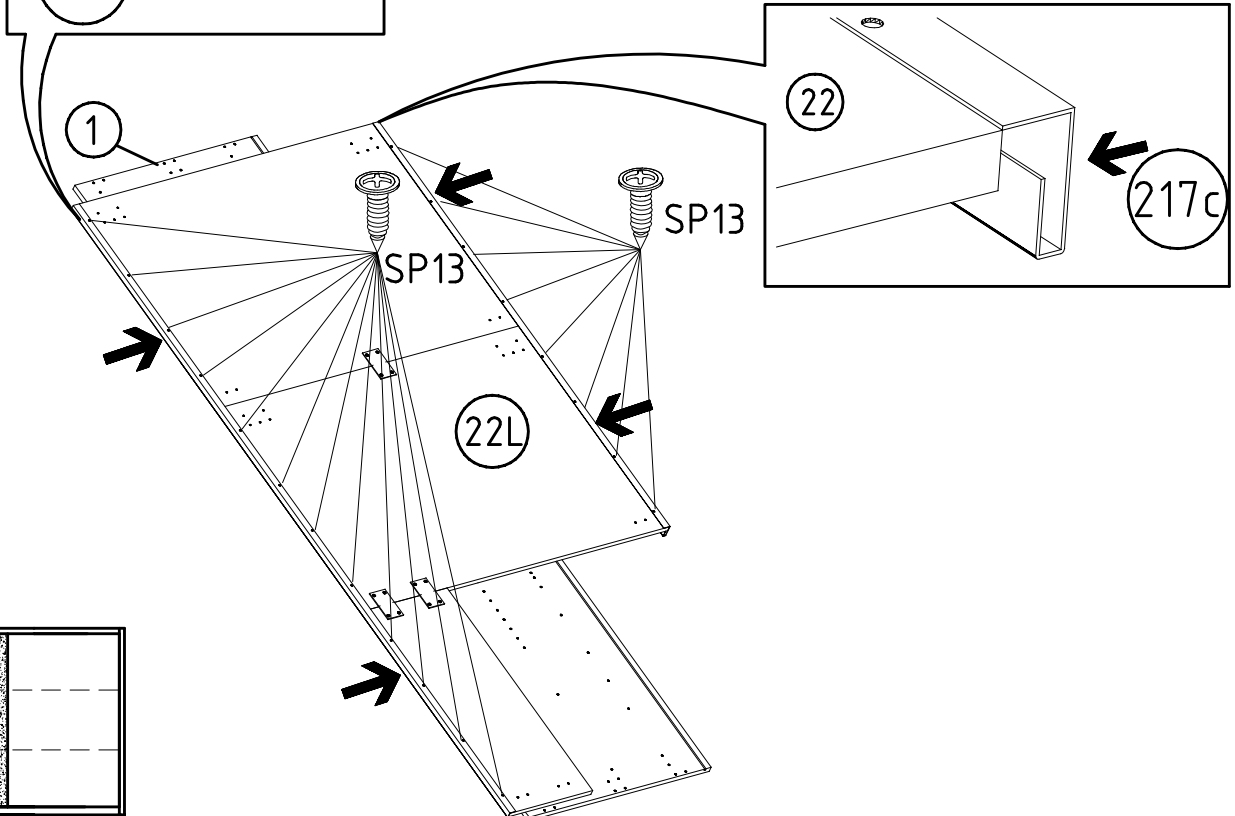
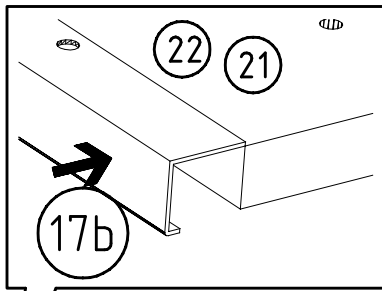
3



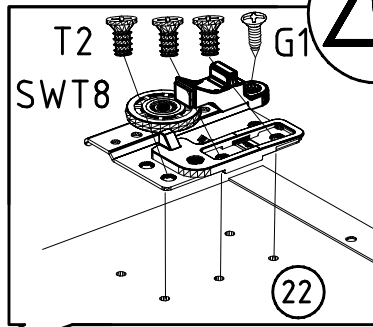
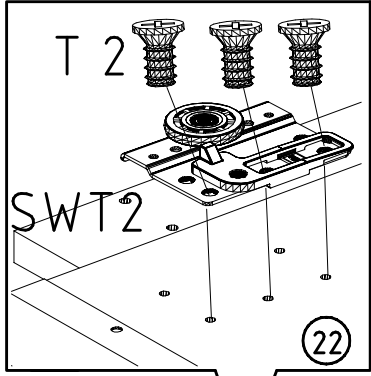
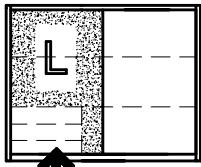
4



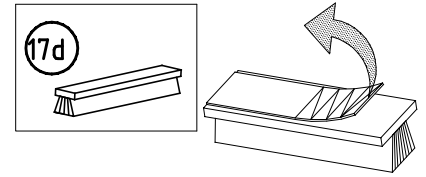
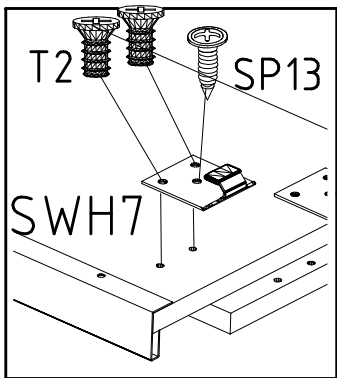
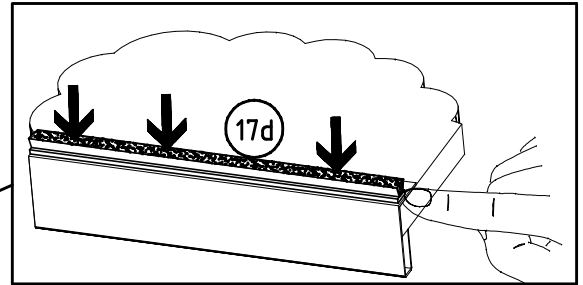
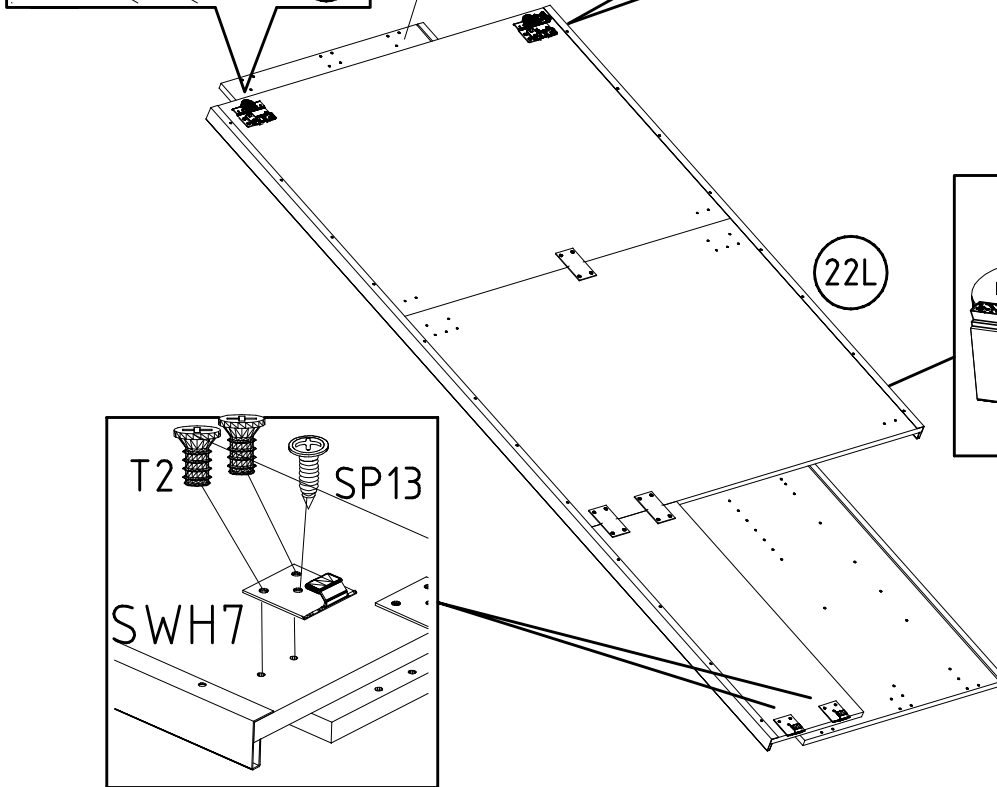
5



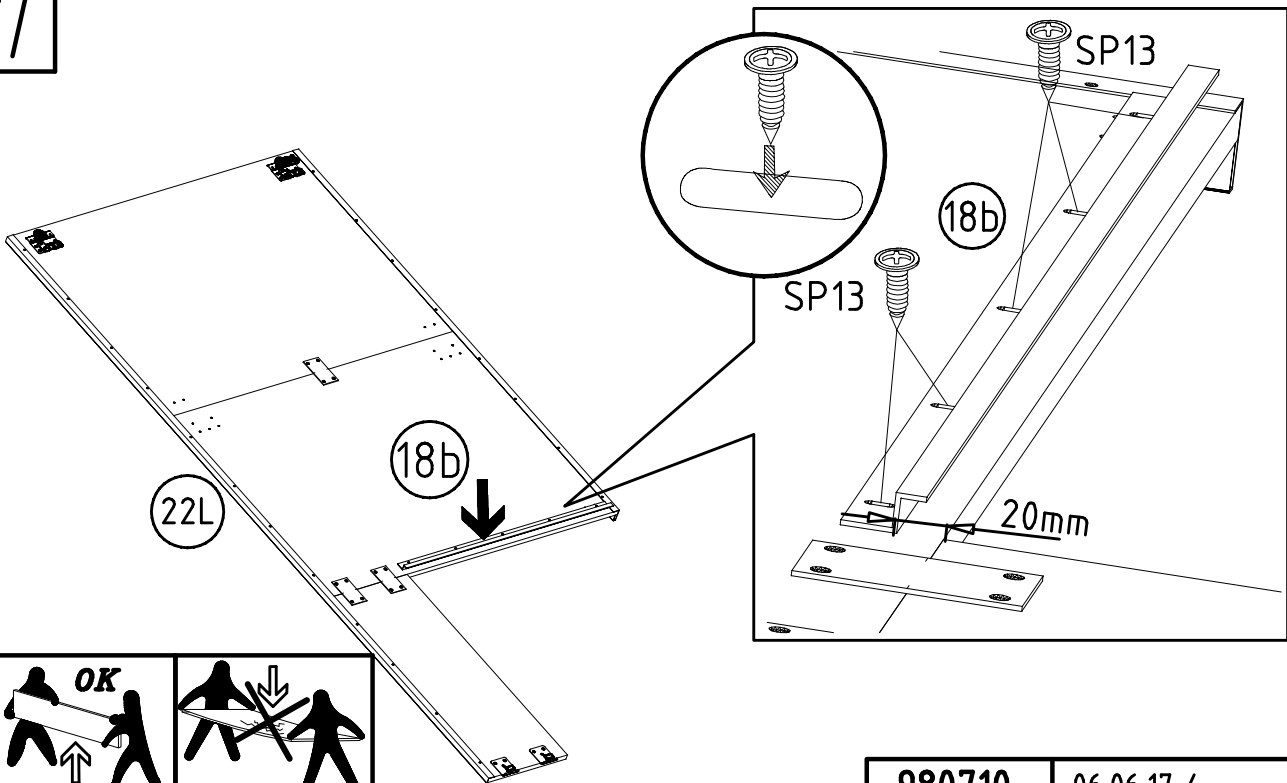
6



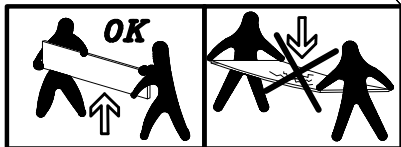
SWT2	SWT8
6,3 x 10,5 mm T2	SWH 7
111 030	
3,5 x 15 mm G1	SP13
	4 X 13mm
121 370	
	121 122



7



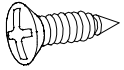
SP13
4 X 13mm
121 122



8

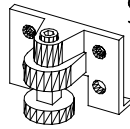
3,5 x 15 mm

G1



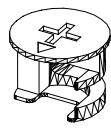
121 370

S0



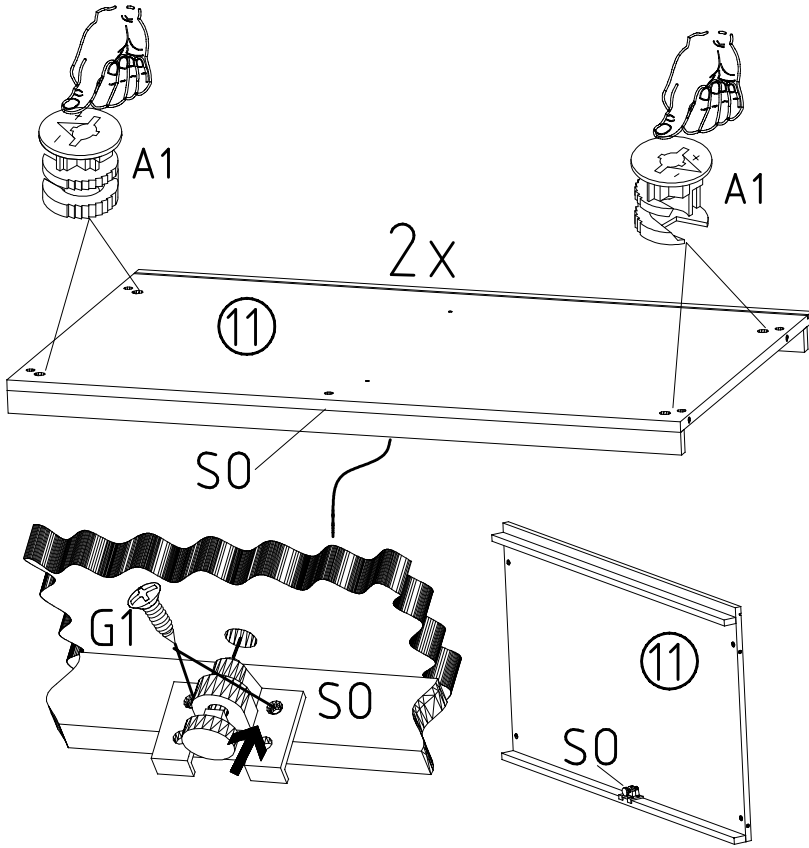
111 300

A1



111 xxx

10

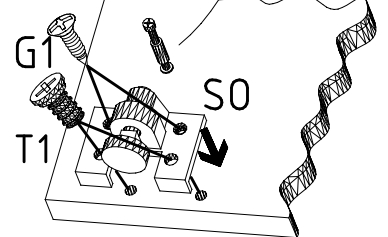
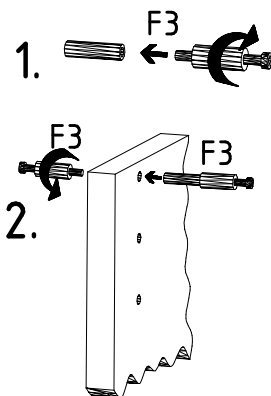
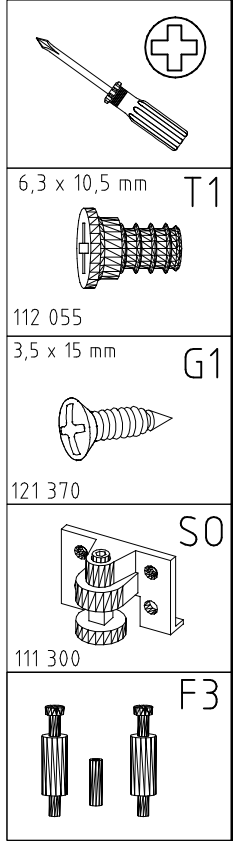
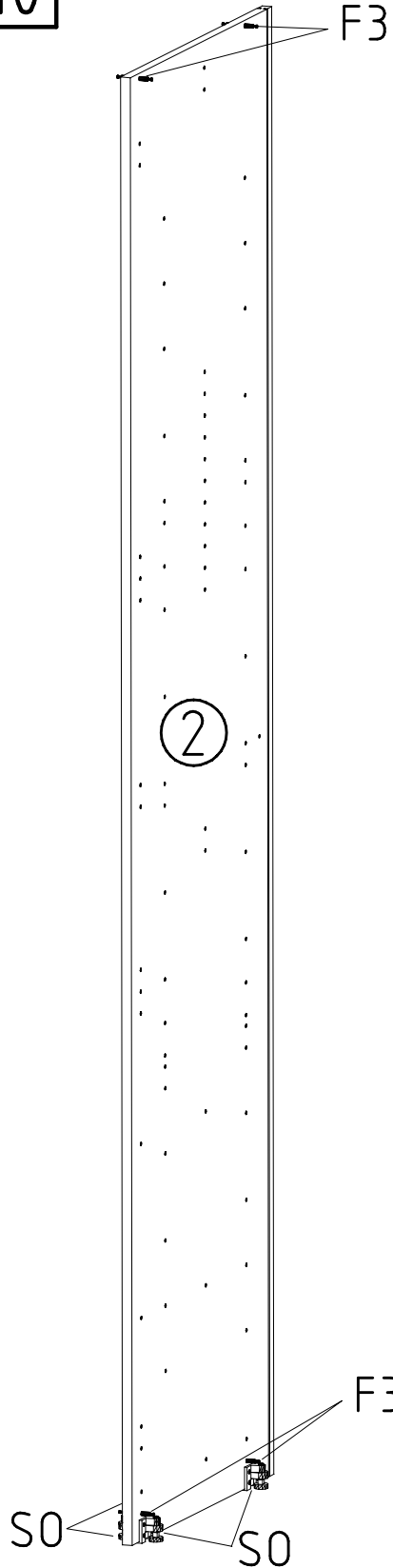
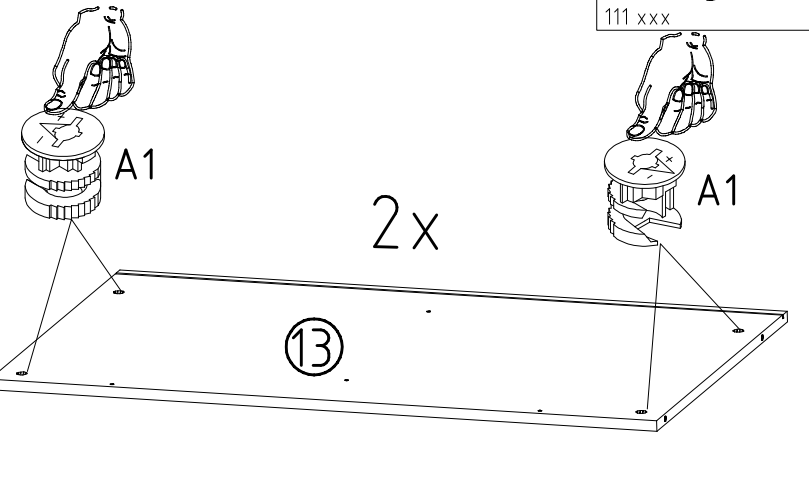


9

A1

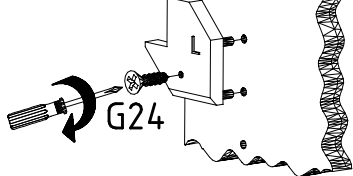


111 xxx

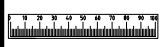
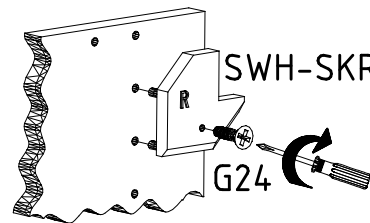


11

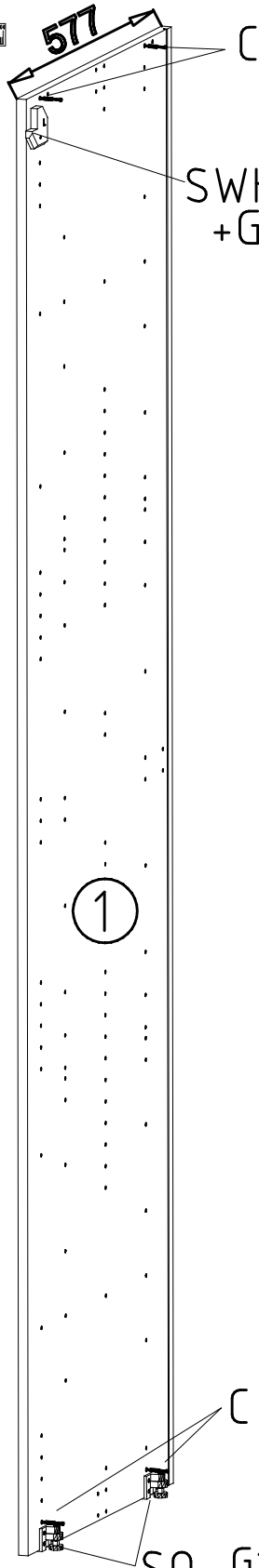
SWH-SKL



SWH-SKR

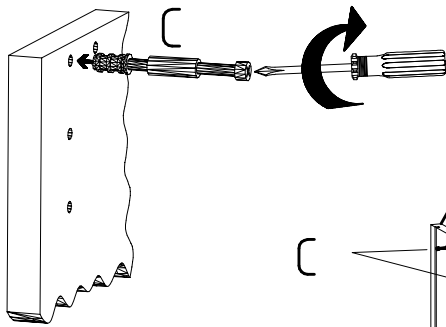


577

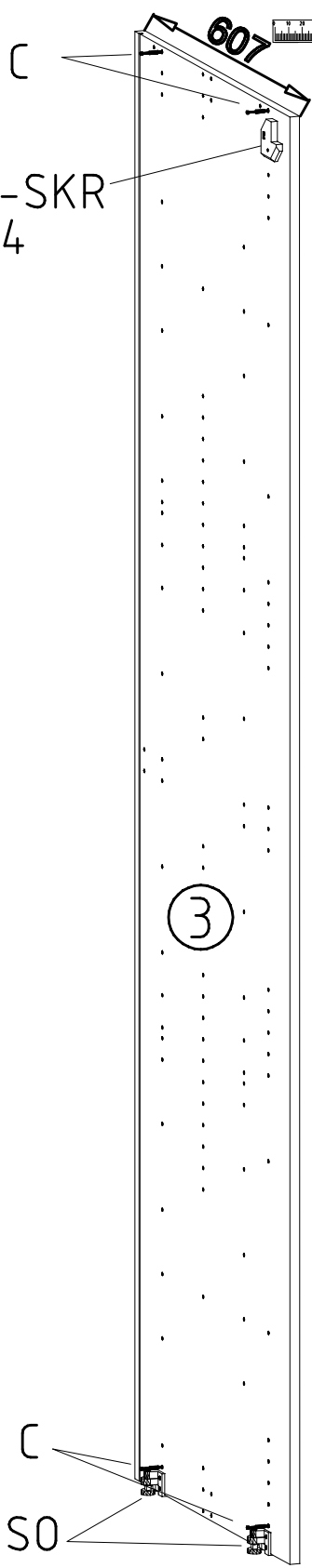
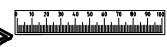


SWH-SKL + G24

1

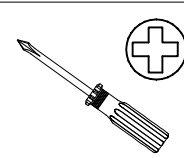


607

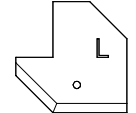


SWH-SKR + G24

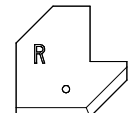
3



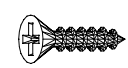
SWH-SKL



SWH-SKR

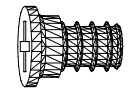


3,5 x 22 mm G24



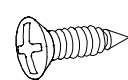
121 004

6,3 x 10,5 mm T1

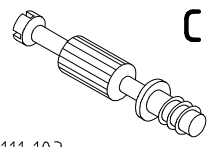


112 055

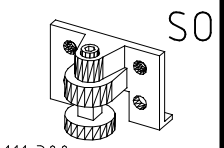
3,5 x 15 mm G1



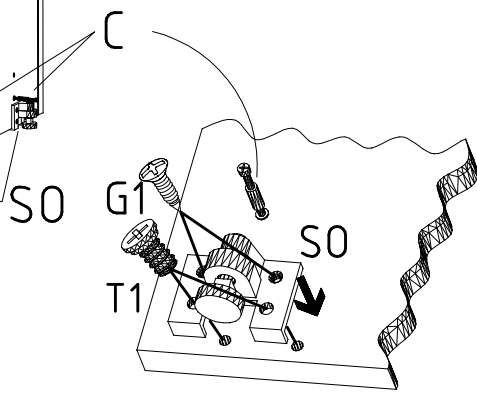
121 370



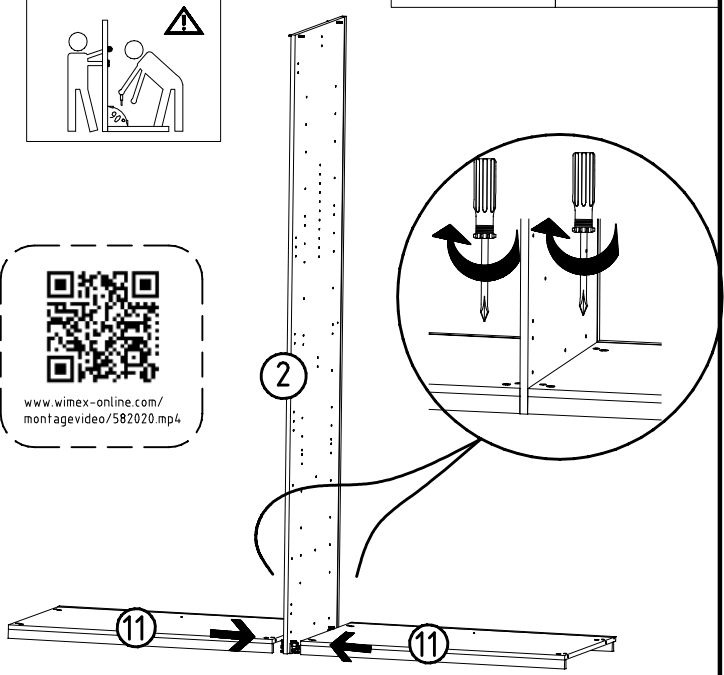
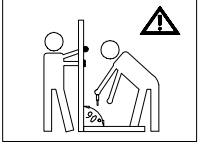
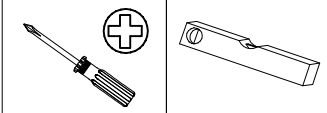
111 103



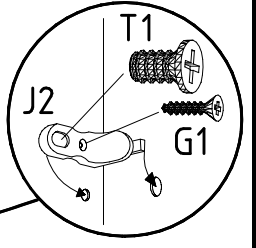
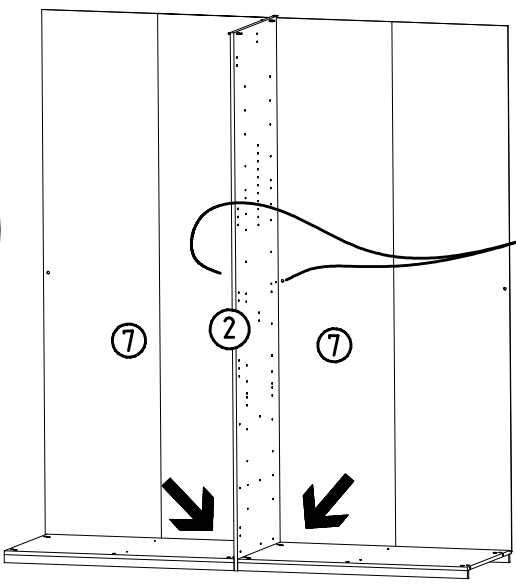
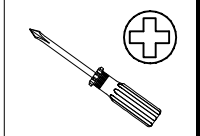
111 300



12



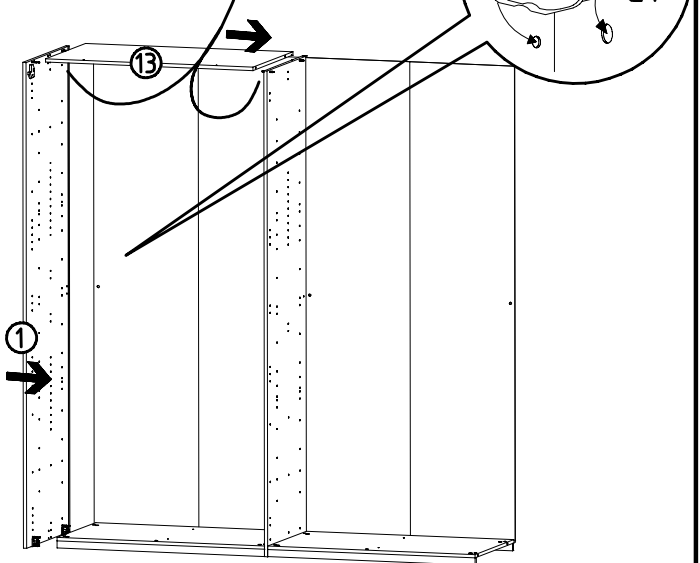
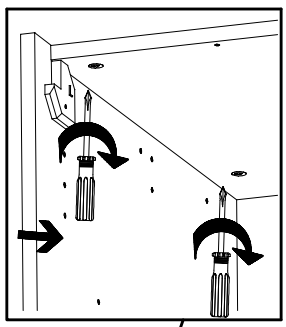
13



- 3,5 x 15 mm G1
- 121 370
- 111 611
- 6,3 x 10,5 mm T1
- 112 055

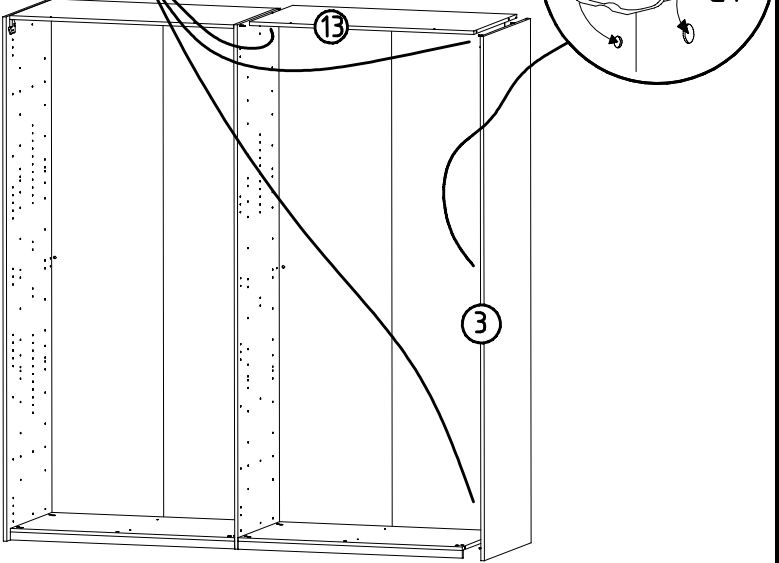
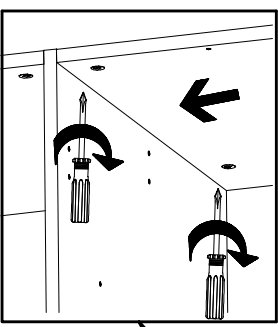
14

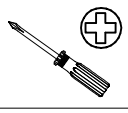
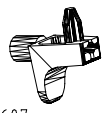
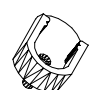
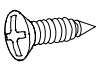
- 3,5 x 15 mm G1
- 121 370
- 6,3 x 10,5 mm T1
- 112 055
- 111 611

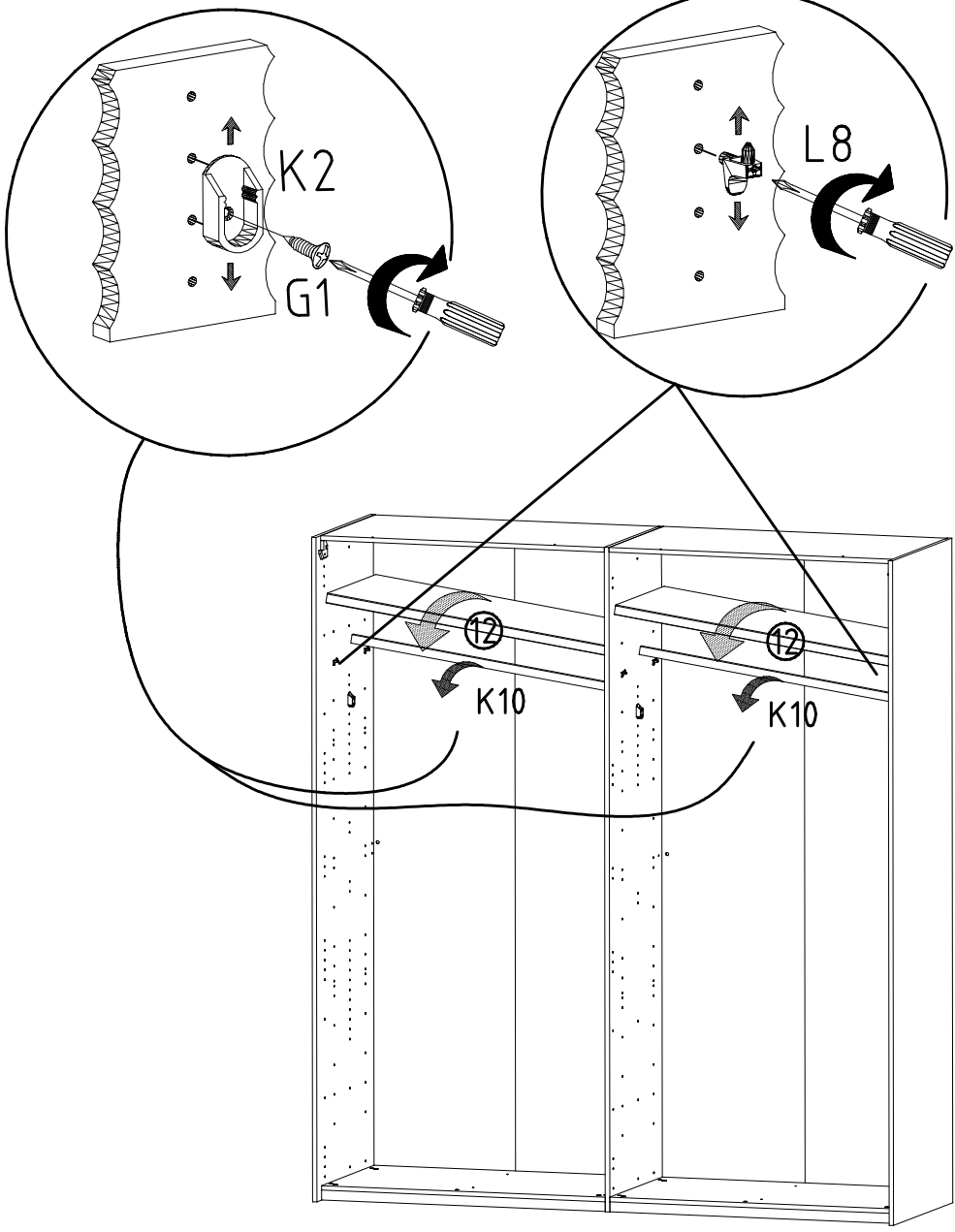


15

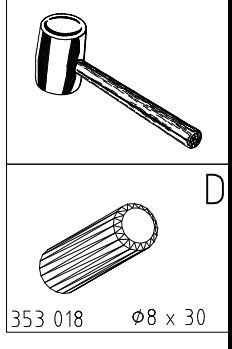
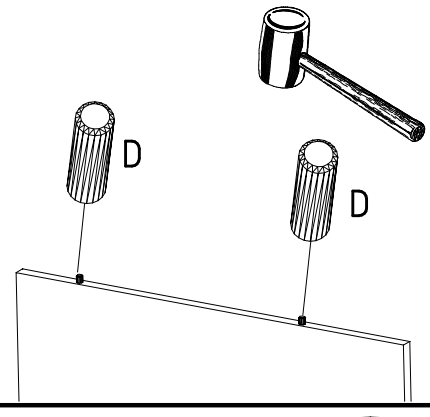
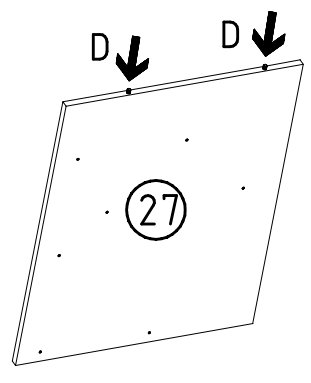
- 3,5 x 15 mm G1
- 121 370
- 6,3 x 10,5 mm T1
- 112 055
- 111 611



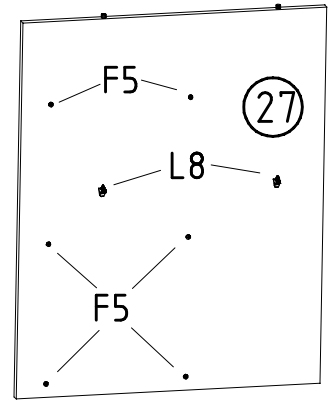
		L8
	111 607	
		K2
	117 002	
	3,5 x 15 mm	G1
		
	121 370	K10
	100cm	
	112 400	



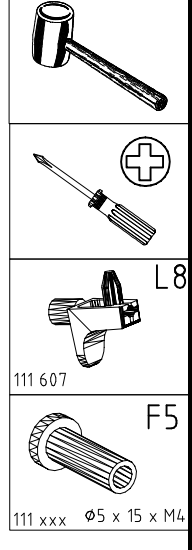
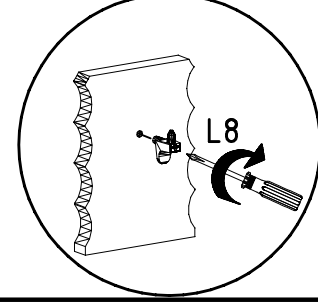
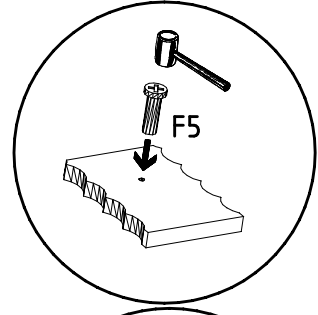
17



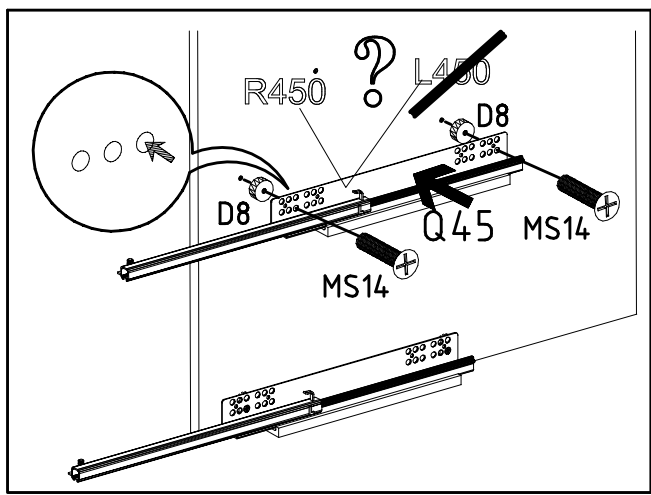
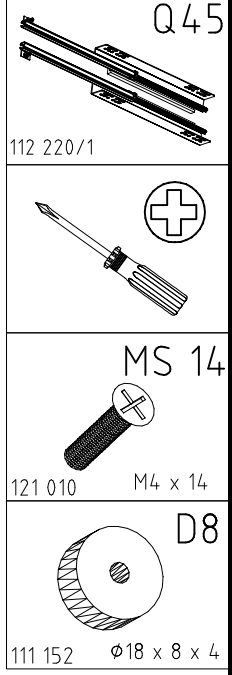
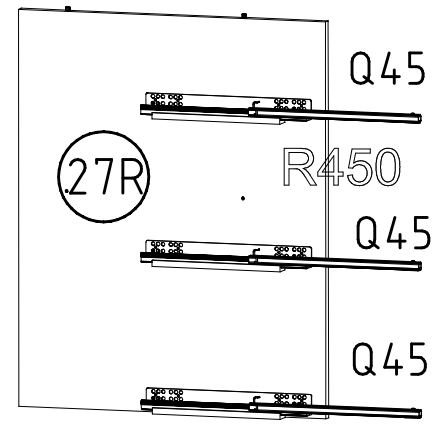
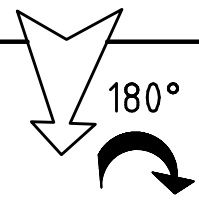
18



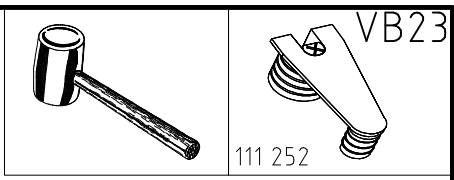
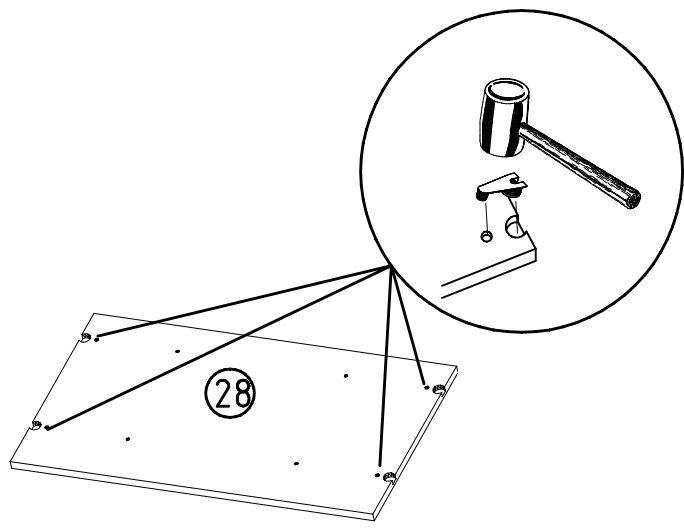
=27R



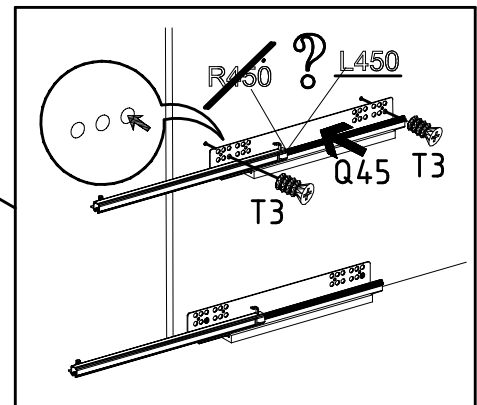
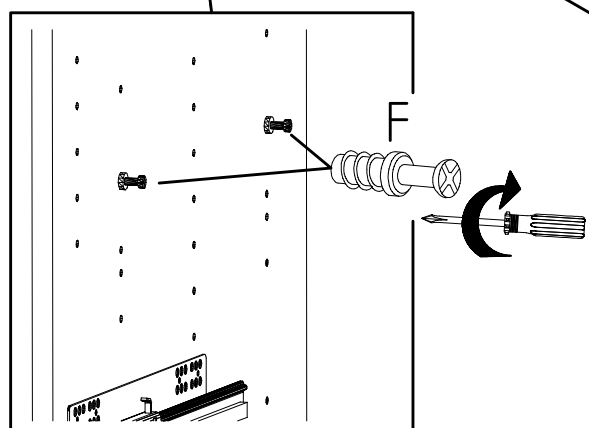
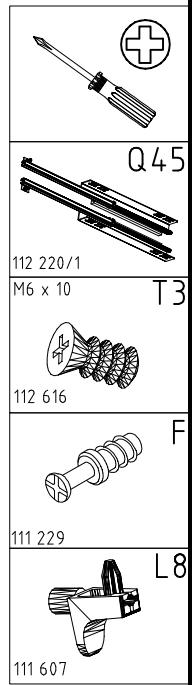
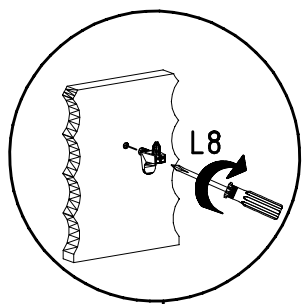
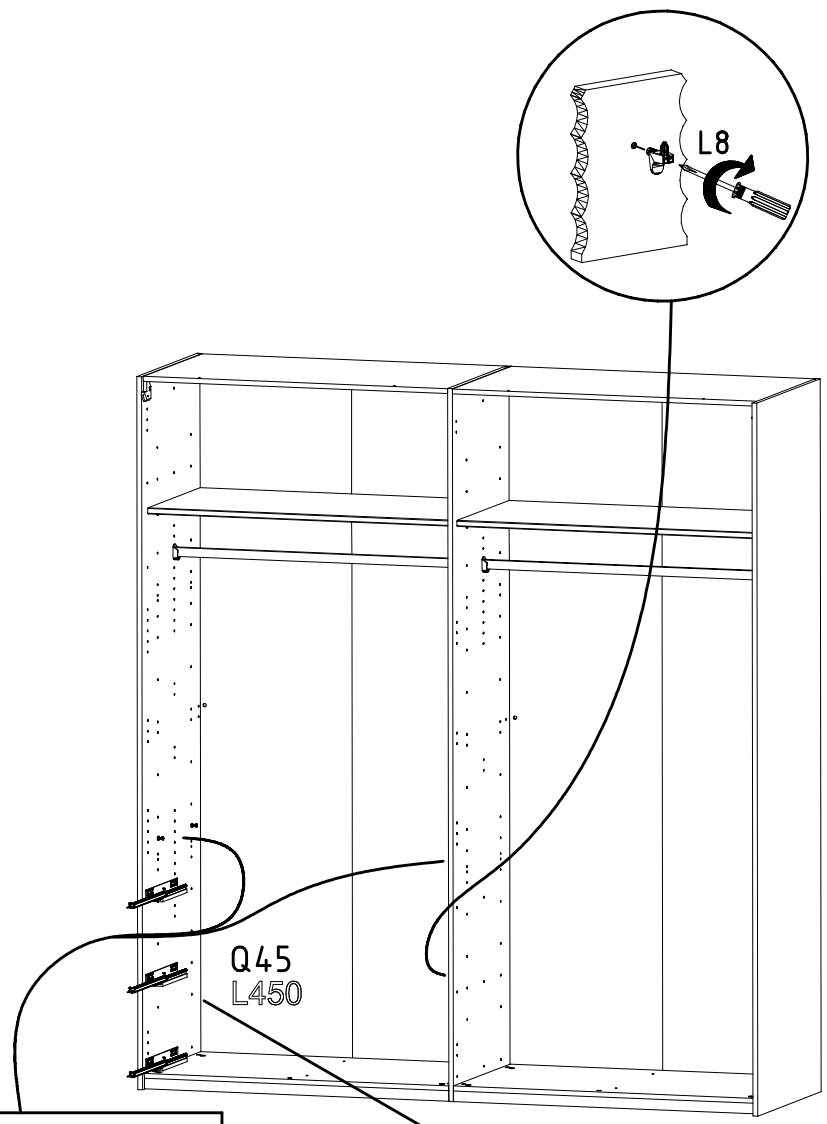
19



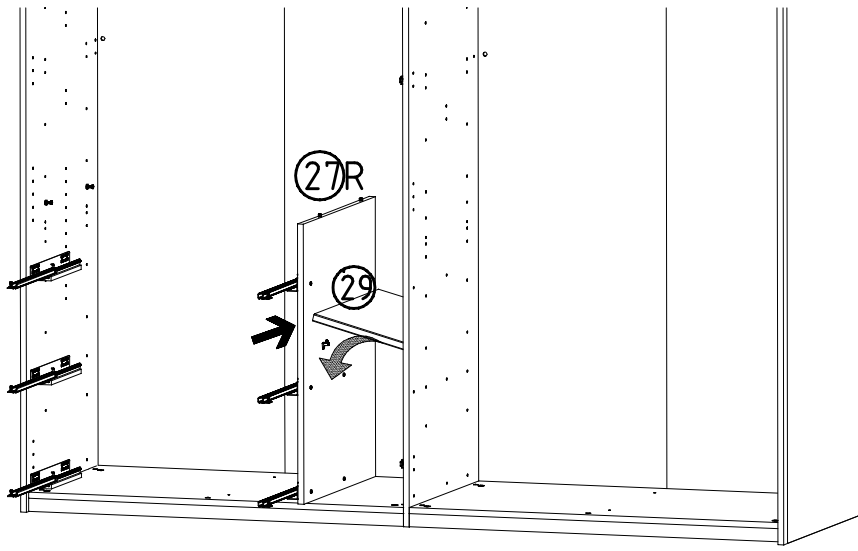
20



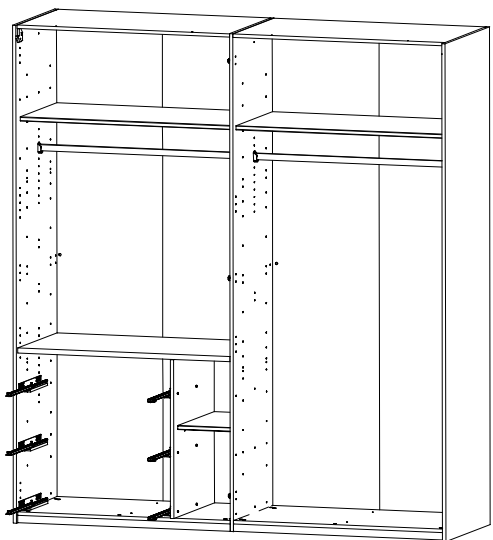
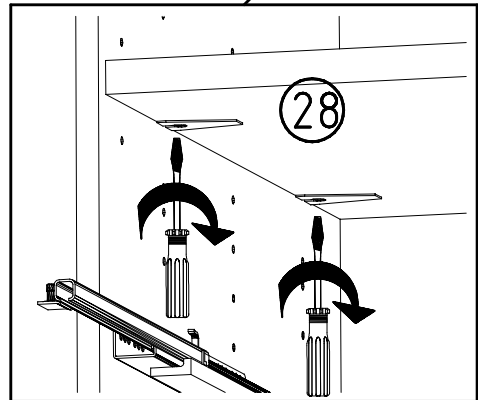
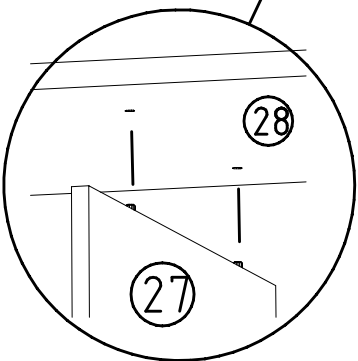
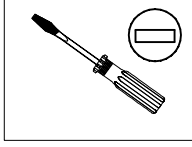
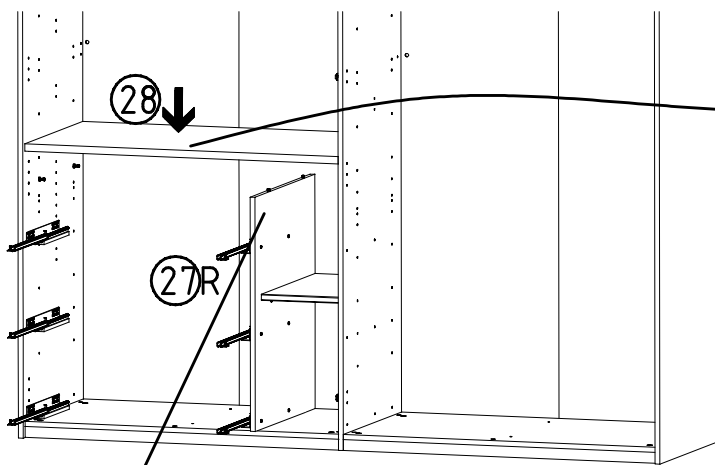
21



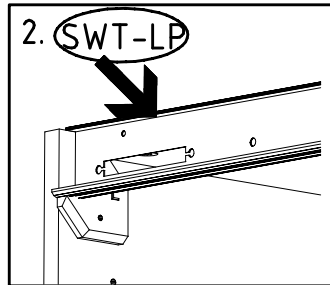
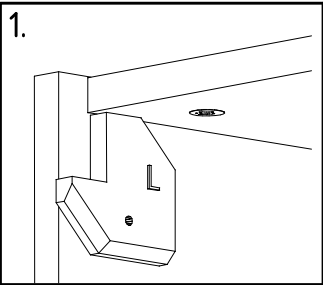
22



23

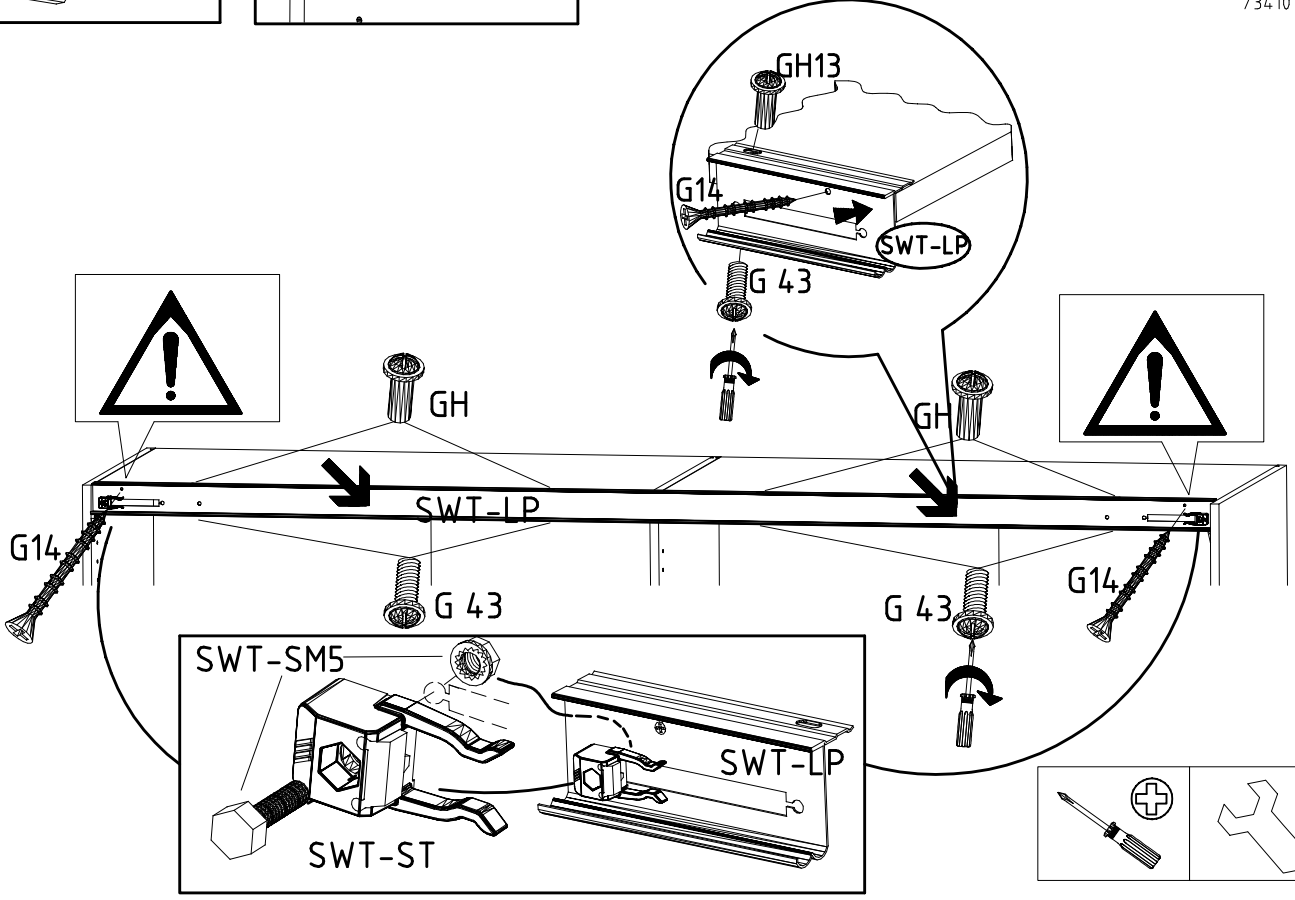


24

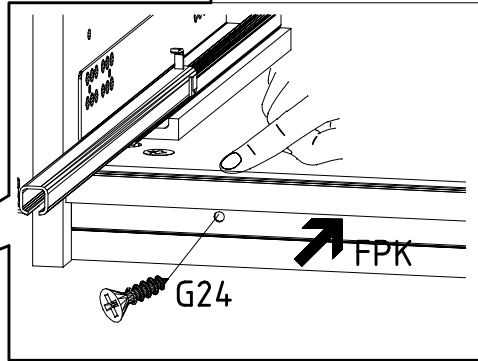
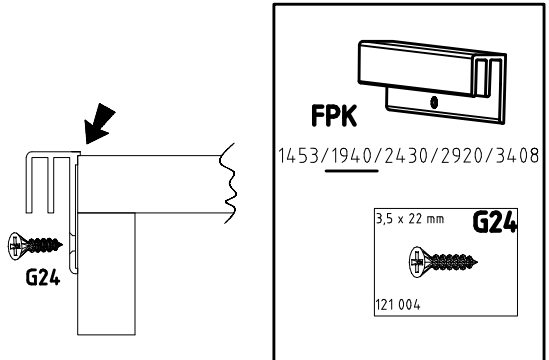
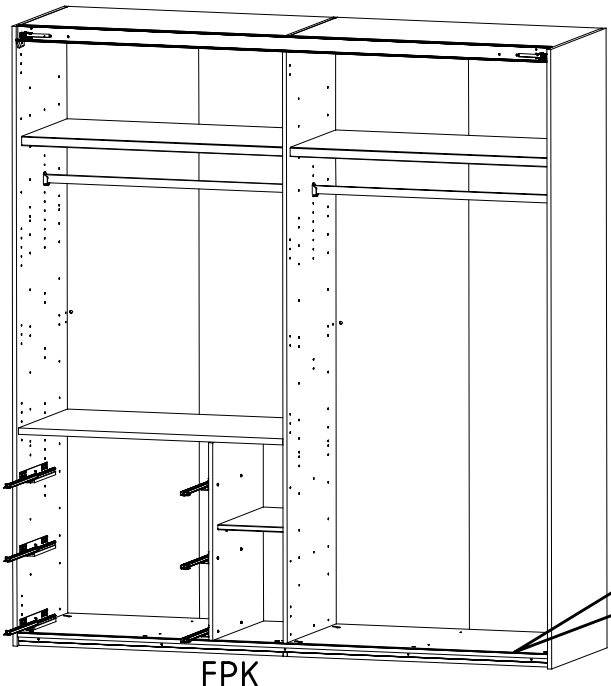


M4 x 10 mm G43 121 xxx	M4 x 13 mm GH13 121 xxx	3,5 x 35 mm G14 121 375	SWT-ST 	SWT-SM5
------------------------------	-------------------------------	-------------------------------	------------	-------------

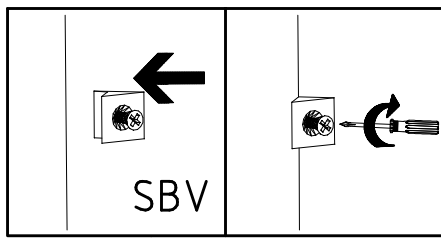
SWT-LP
1453/1940/2430/2920
/3410 SY



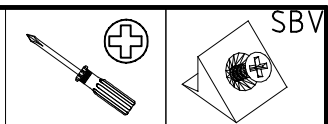
25



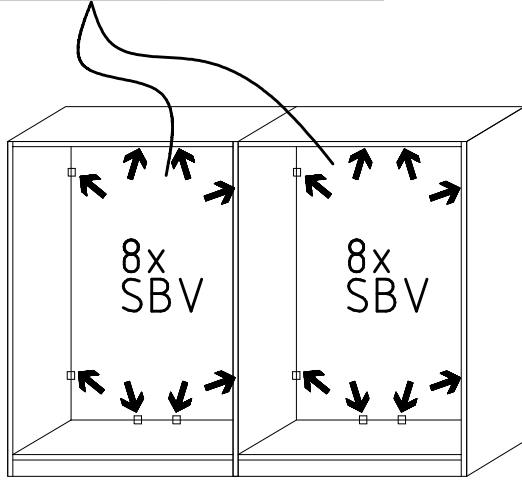
26



SBV

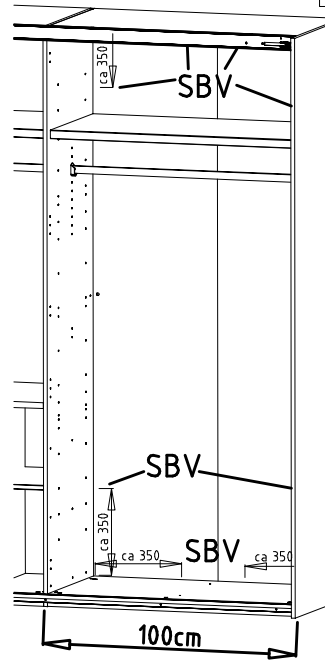


SBV



8x
SBV

8x
SBV



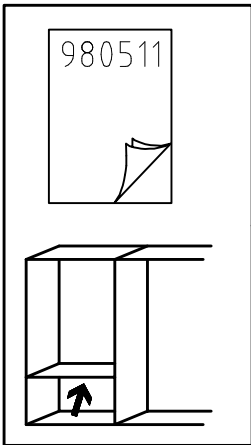
SBV

SBV

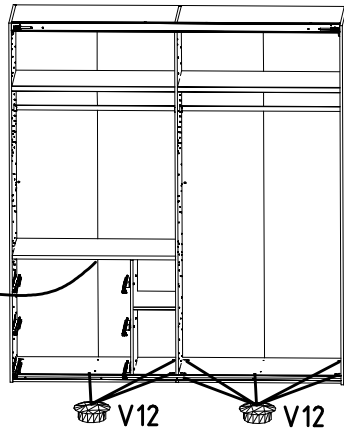
SBV

100cm

27



980511



V12

V12

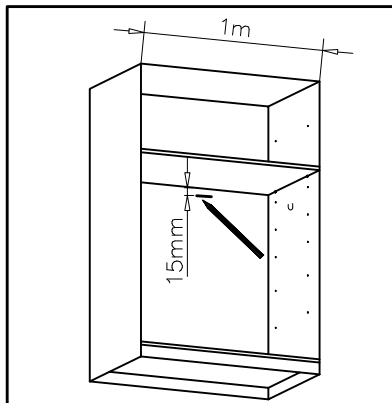


V12

111 xxx

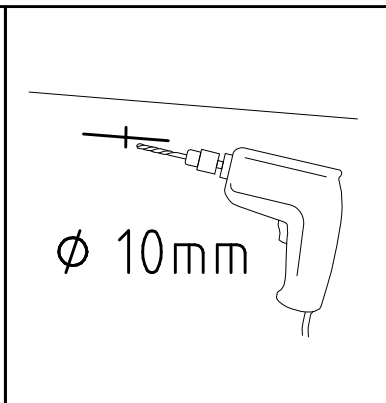
Ø12

28

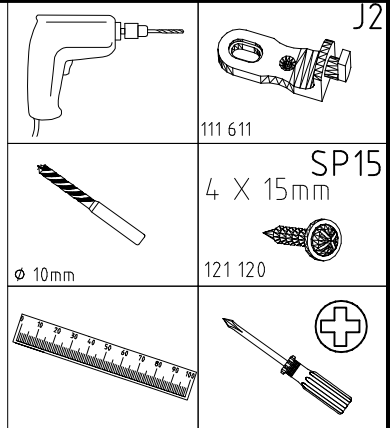


1m

15mm



Ø 10mm



J2

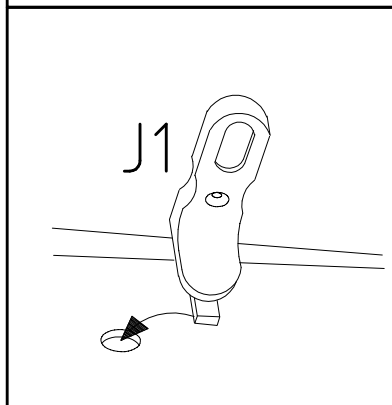
111 611

SP15

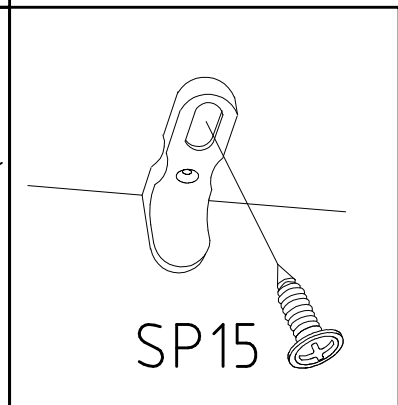
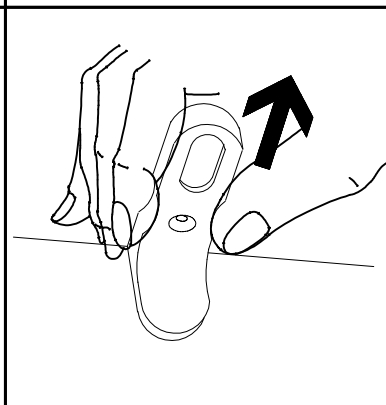
4 X 15mm

121 120

Ø 10mm



J1



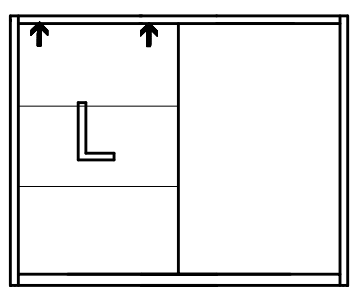
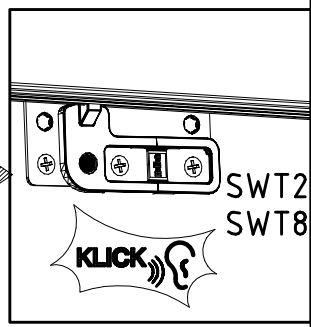
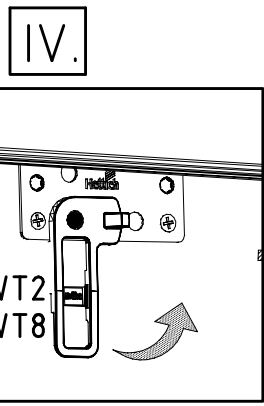
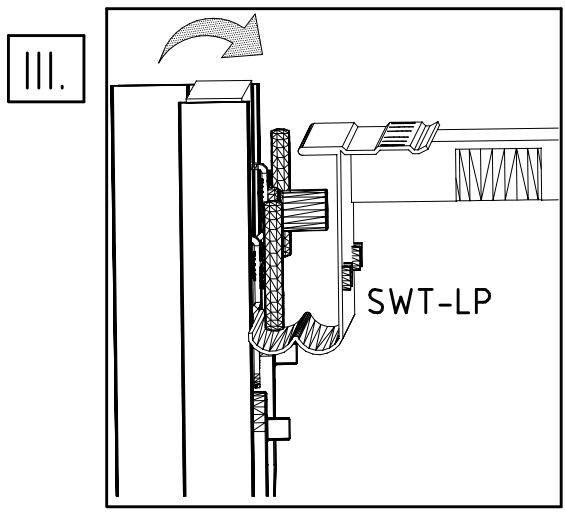
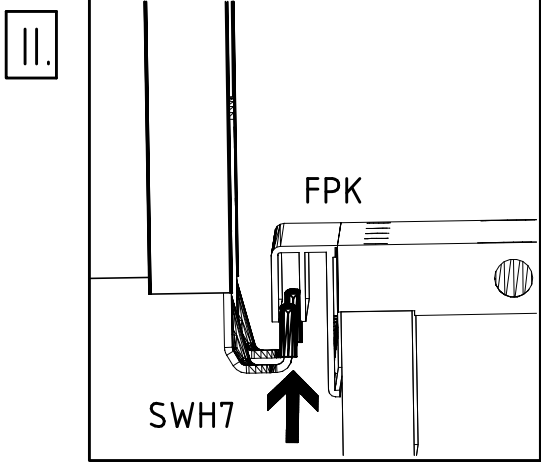
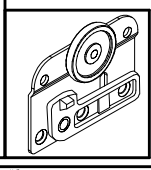
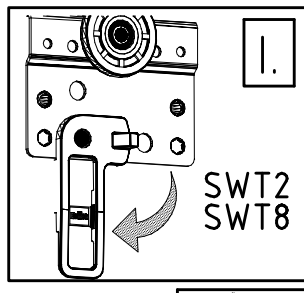
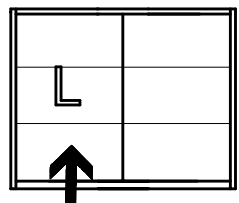
SP15

980710

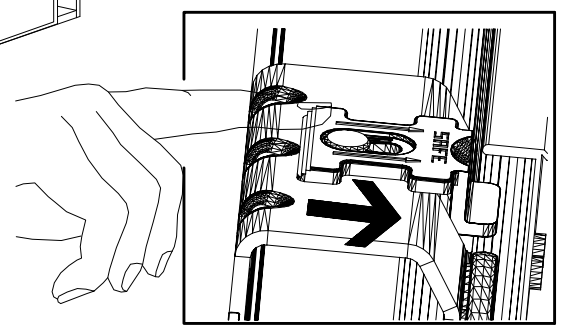
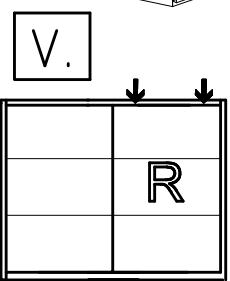
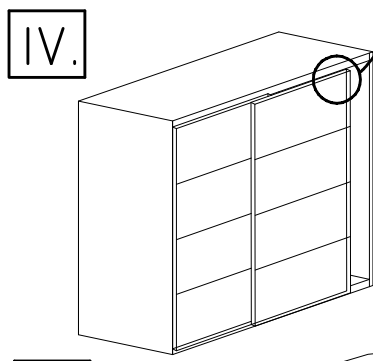
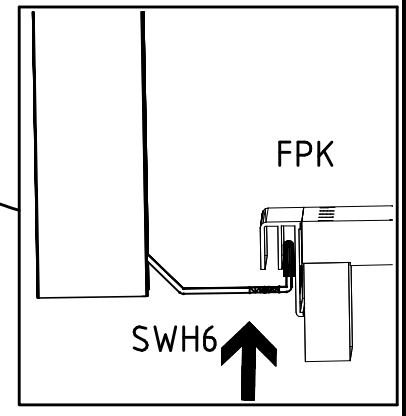
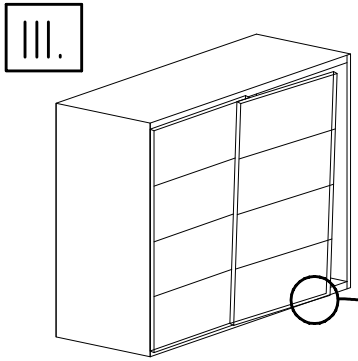
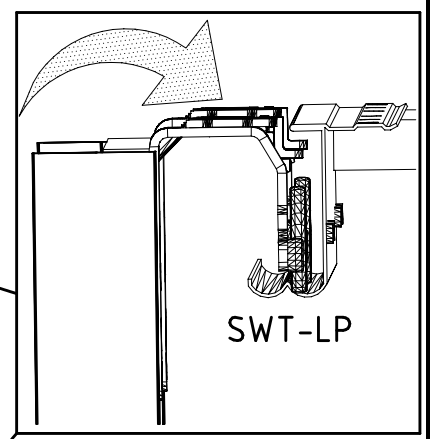
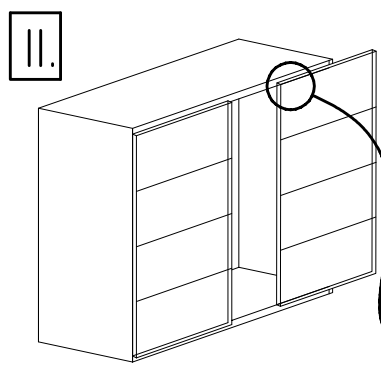
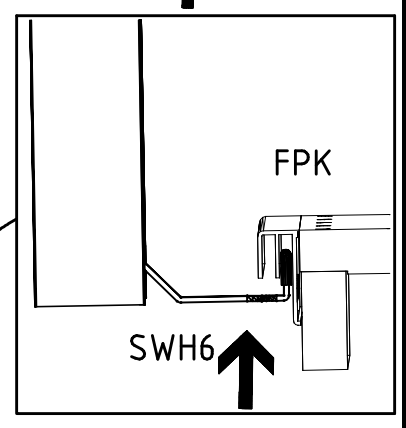
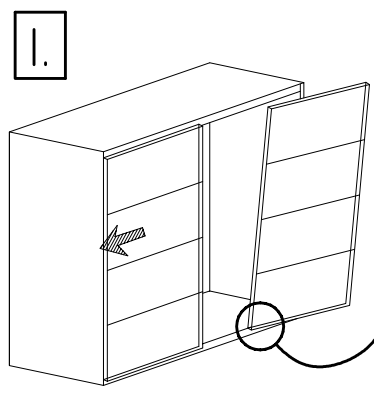
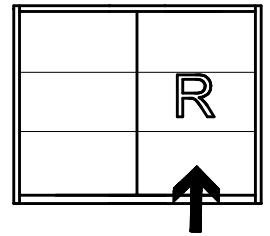
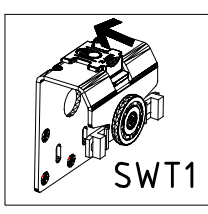
06.06.17 / -

06 17 | 16/22

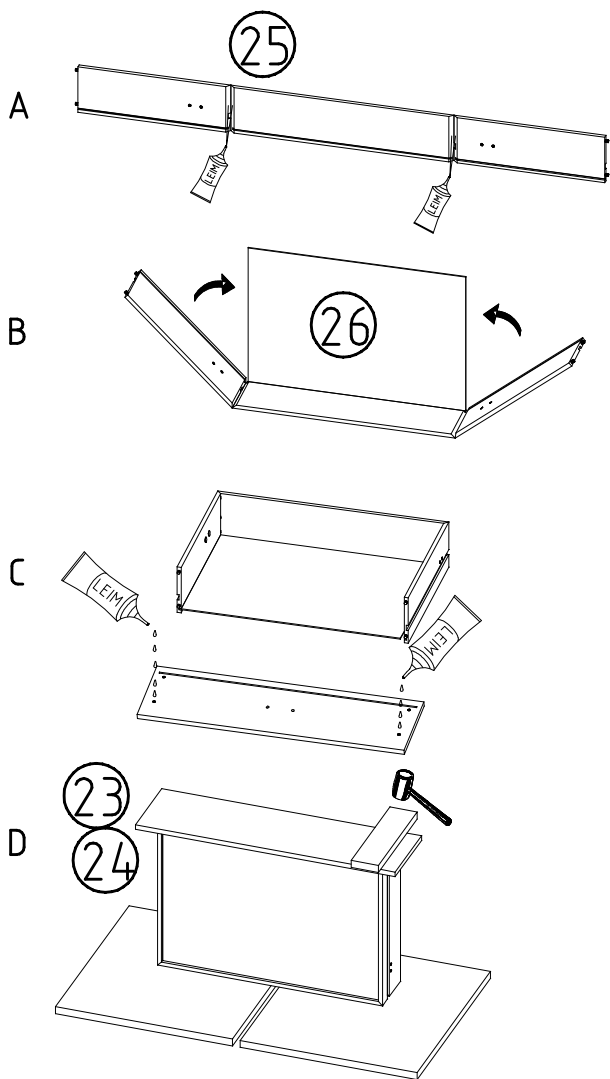
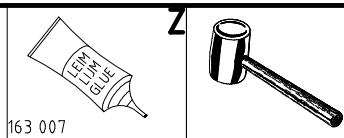
29



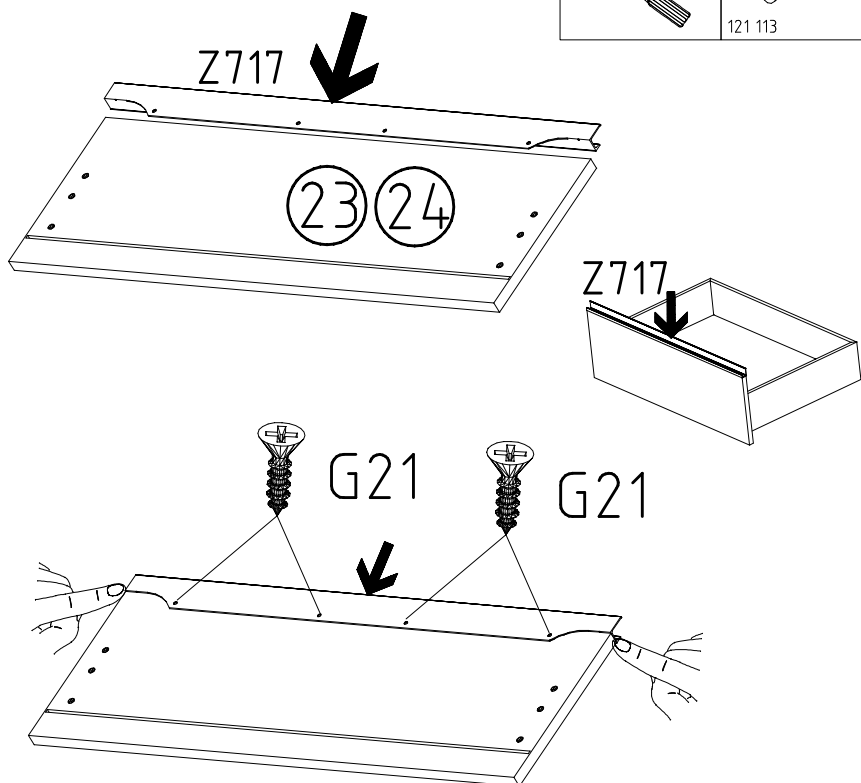
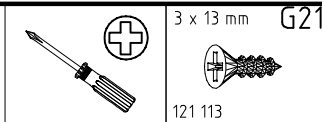
30



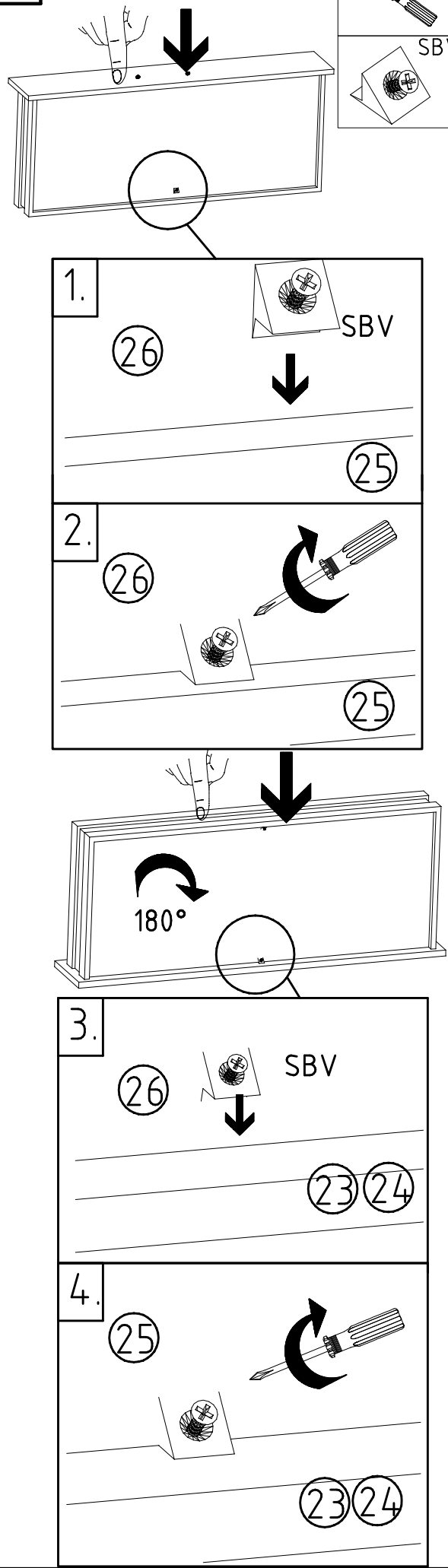
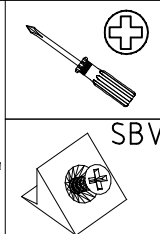
31



32

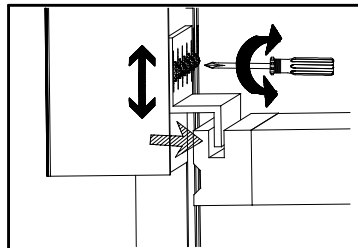
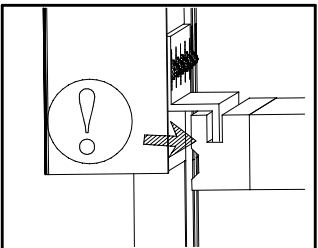
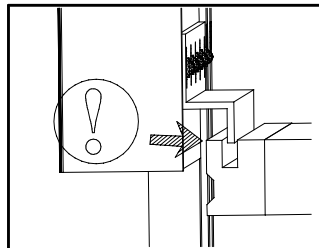
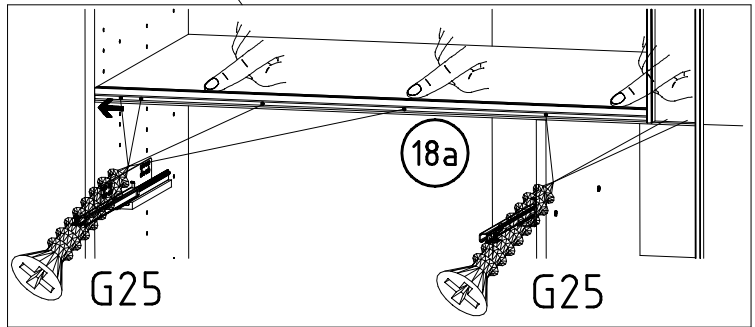
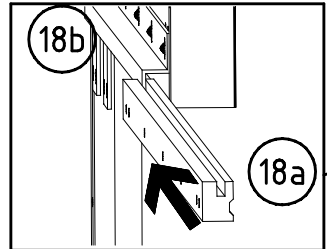
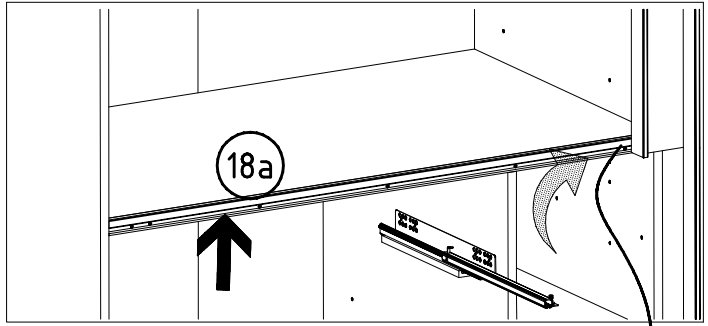
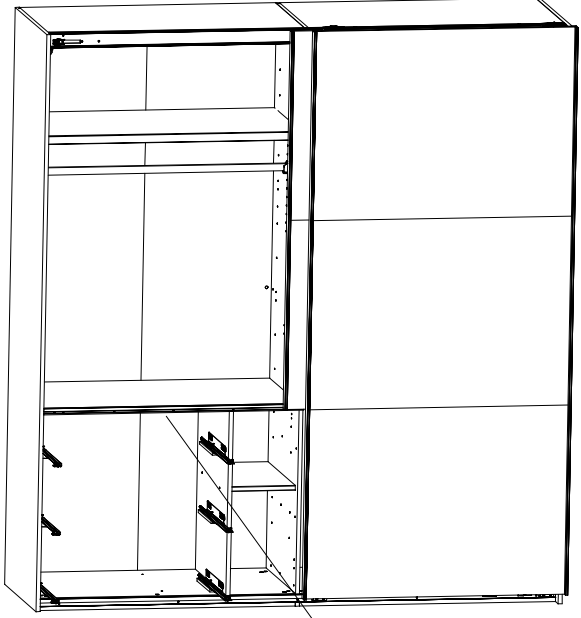


33



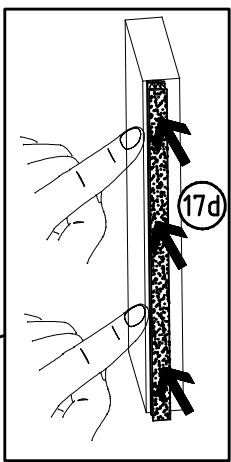
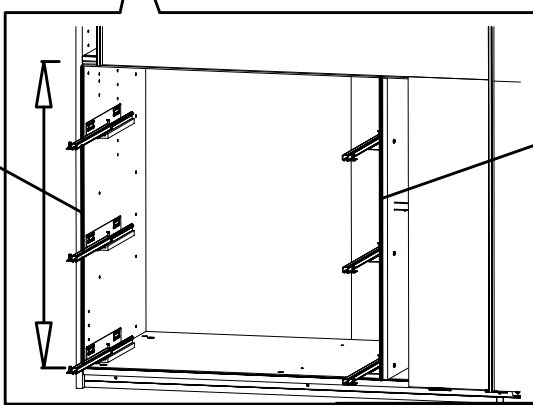
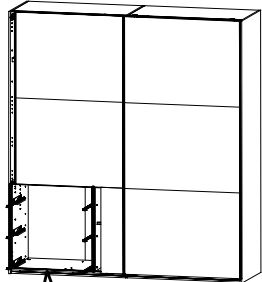
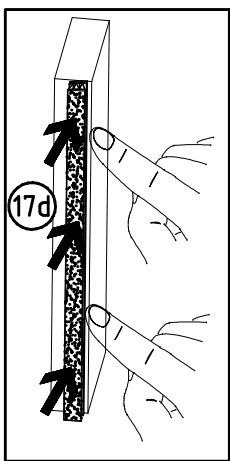
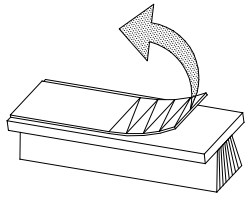
34

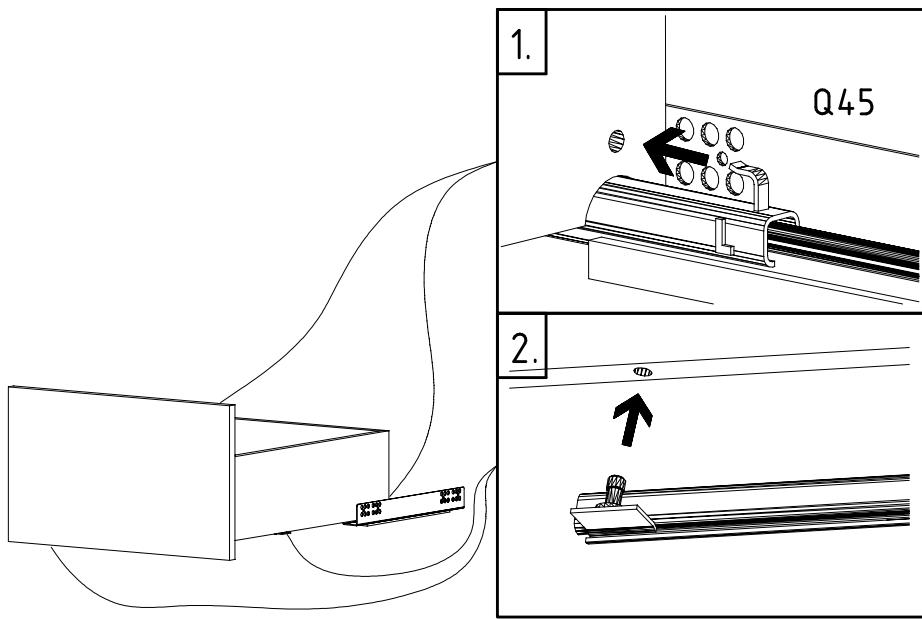
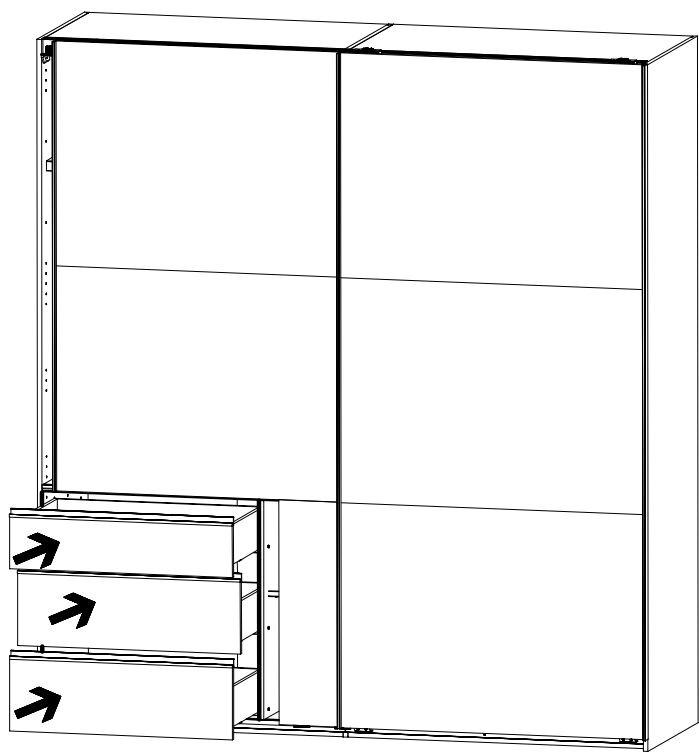
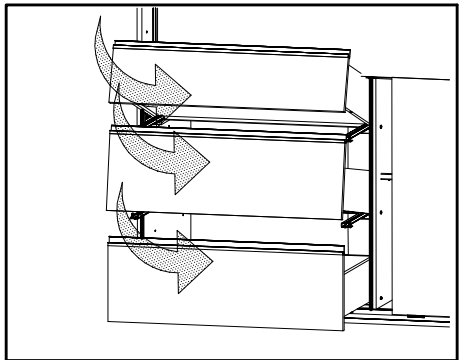
3,5 x 40 mm G25
121 119

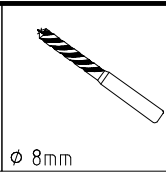
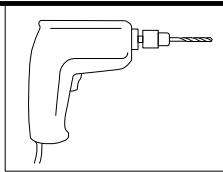


35

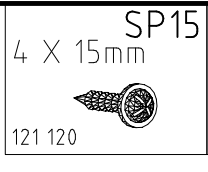
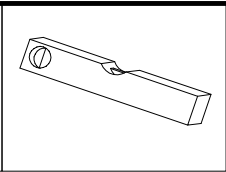
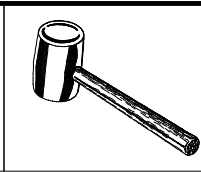
17d



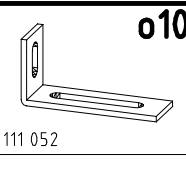




ø 8mm



SP15
4 X 15mm
121 120



o10

111 052

