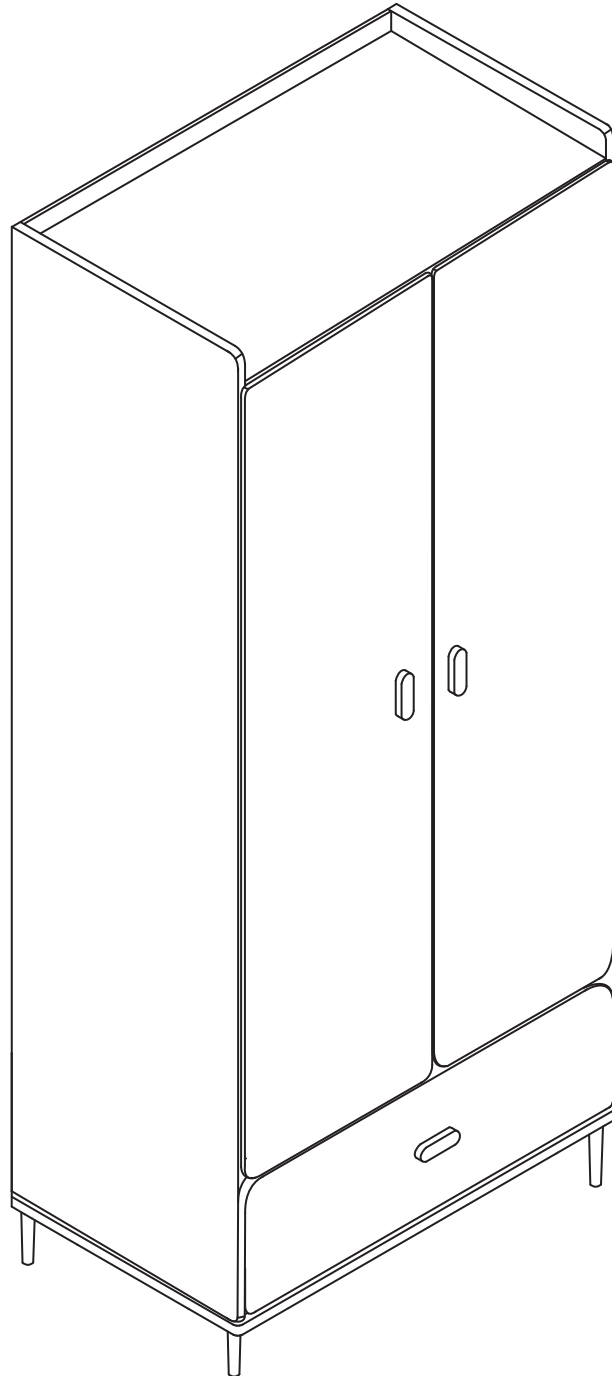
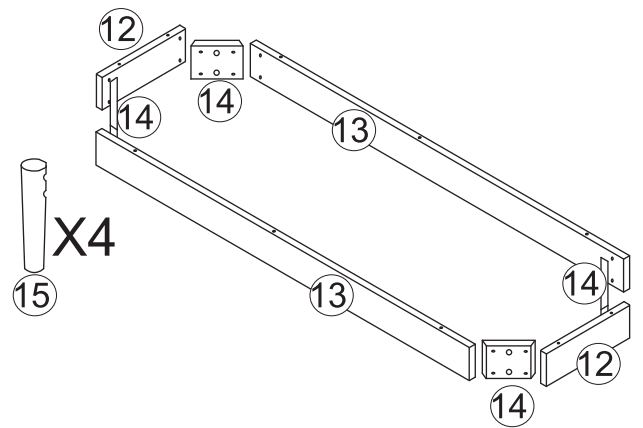
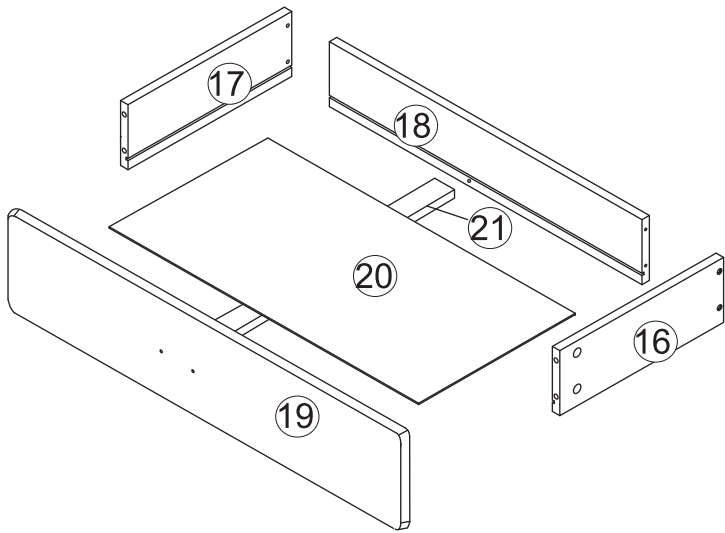
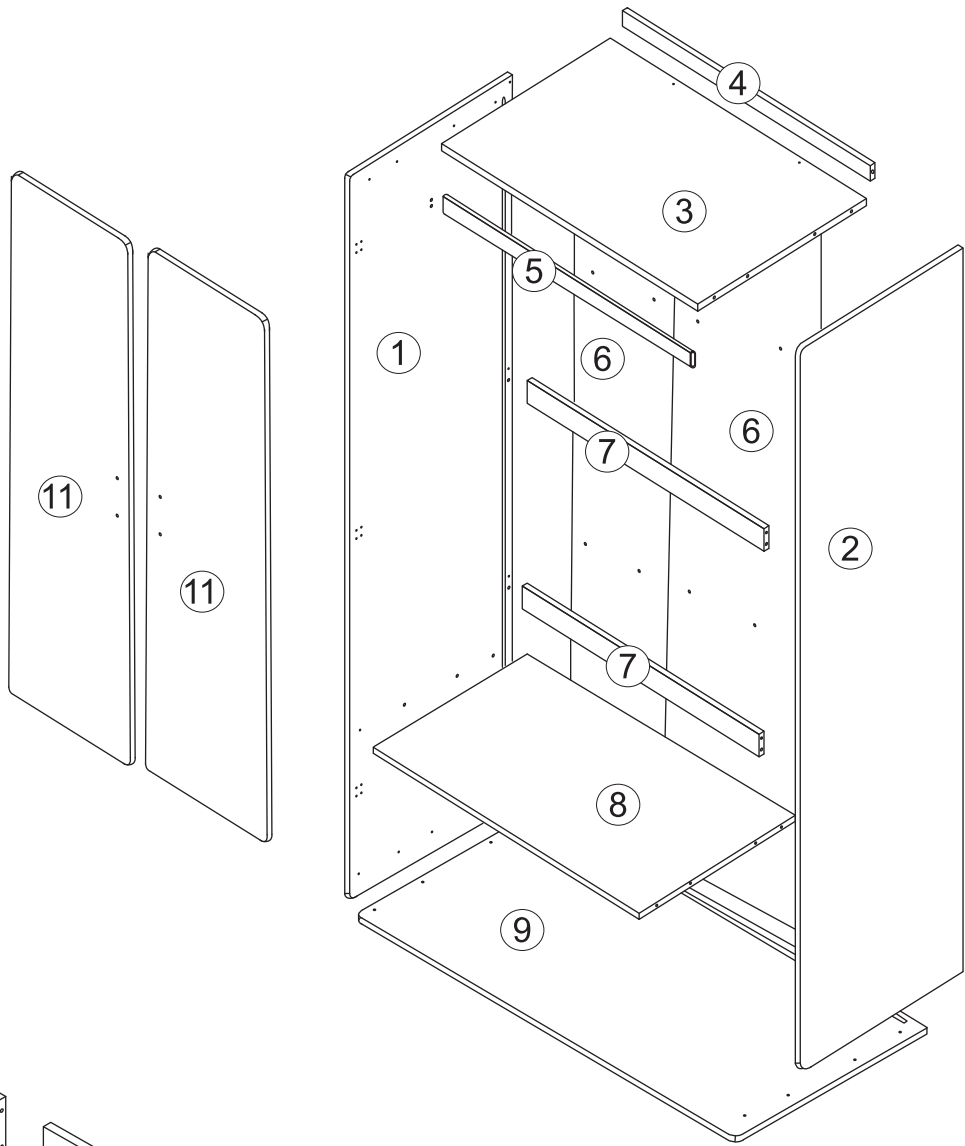


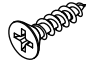



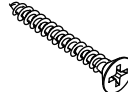
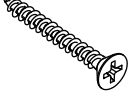
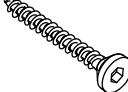
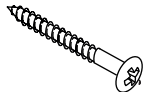

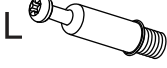

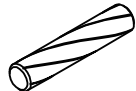


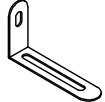
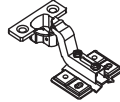
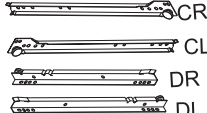


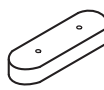


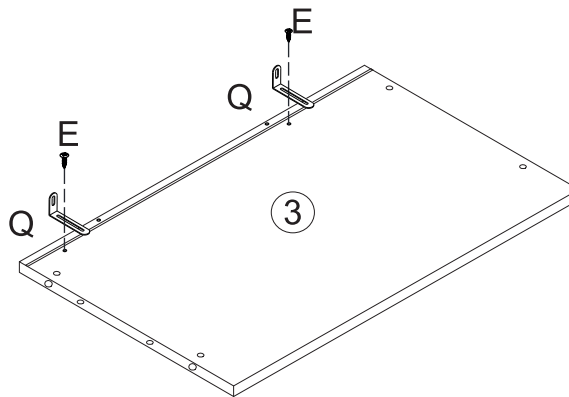
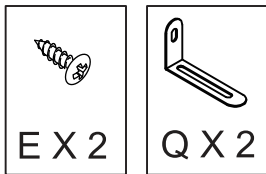
Assembly instruction



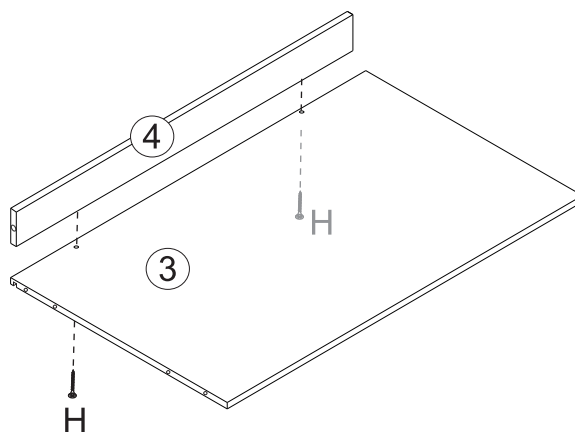
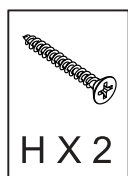


A  X8 M3 x 10mm	B  X12 M3 x 12mm	C  X12 M3 x 14mm	D  X40 M4 x 14mm	E  X2 M4 x 14mm
F  X6 M4 x 30mm	G  X16 M4 x 25mm	H  X7 M4 x 35mm	I  X4 M5 x 45mm	J  X10 M5 x 65mm
K  X8 M6 x 50mm	L  X23 M6 x 35mm	M  X23 M15 x 10mm	N  X16 M8 x 30mm	O  X1
P  X2	Q  X2	R  X6	S  X1 CR CL DR DL	
T  X12	U  X4 Φ25 x 3mm	V  X3		

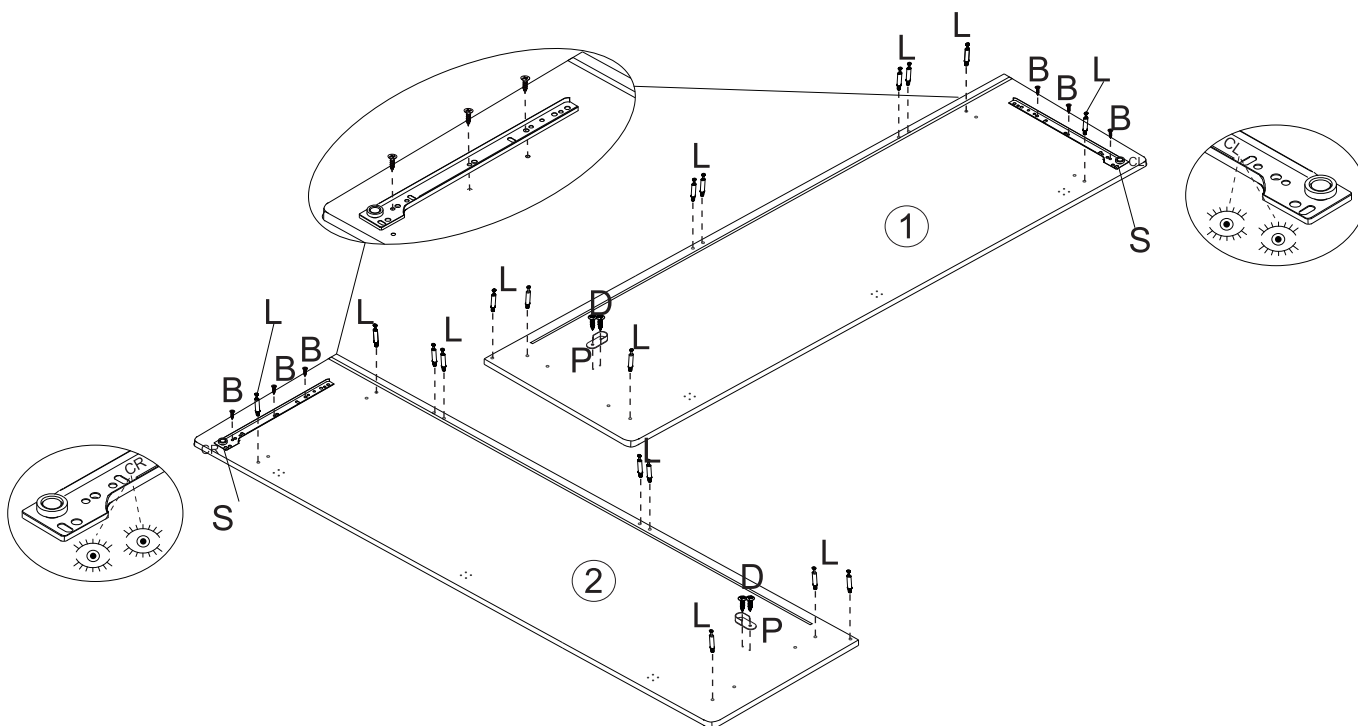
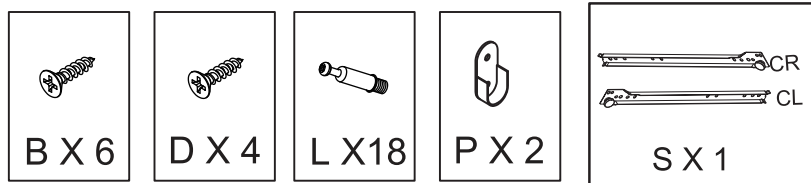
Step 1.



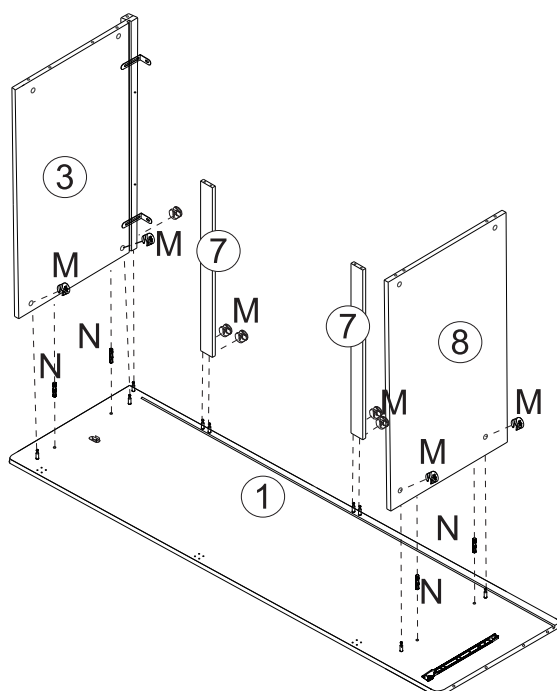
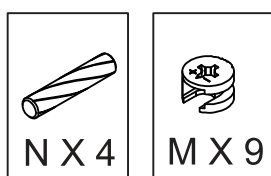
Step 2.



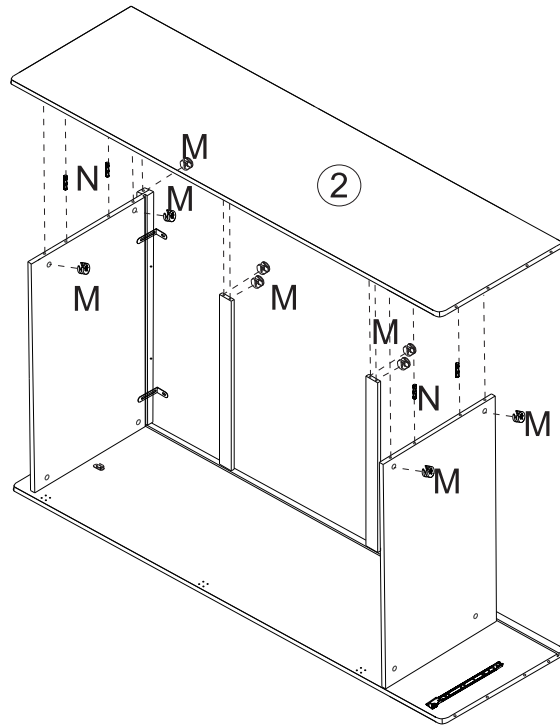
Step 3.



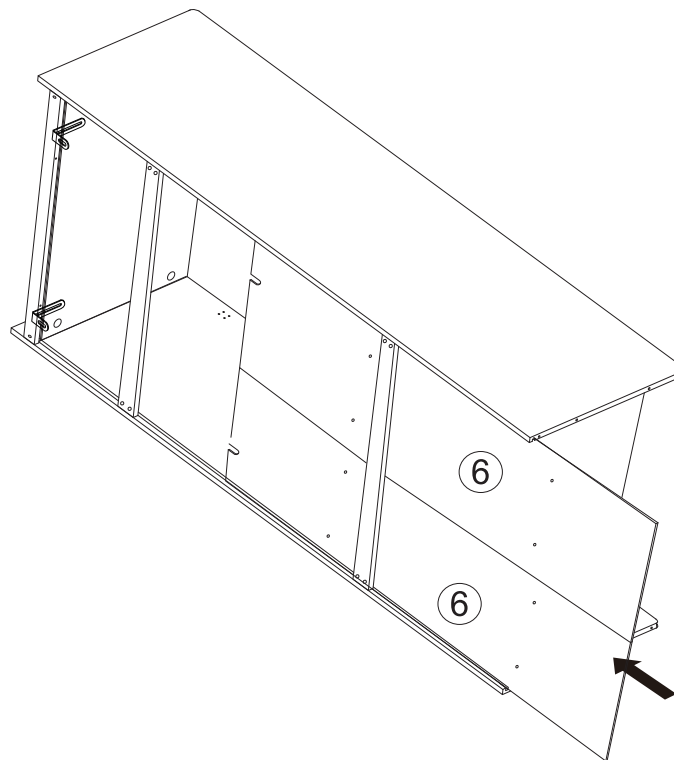
Step 4.



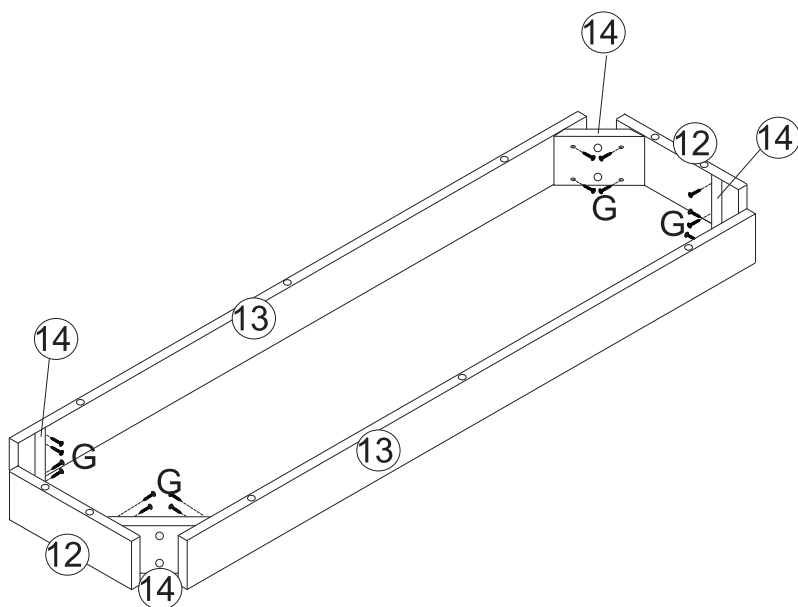
Step 5.



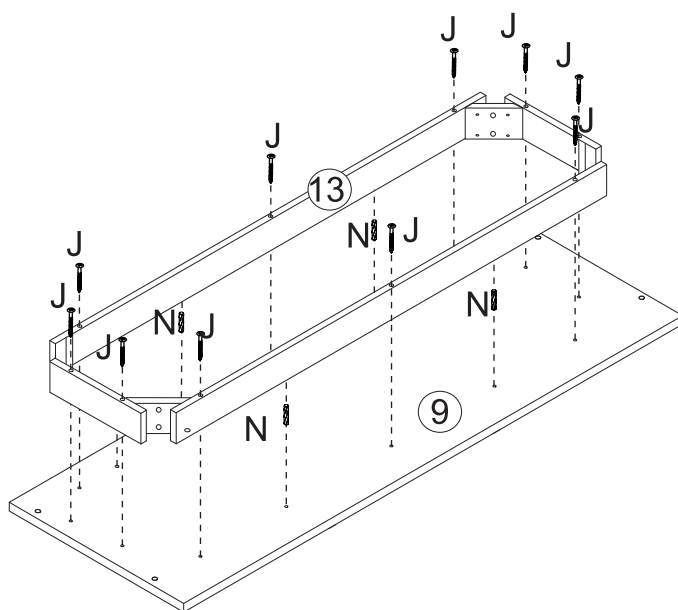
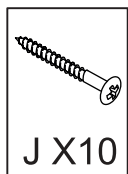
Step 6.



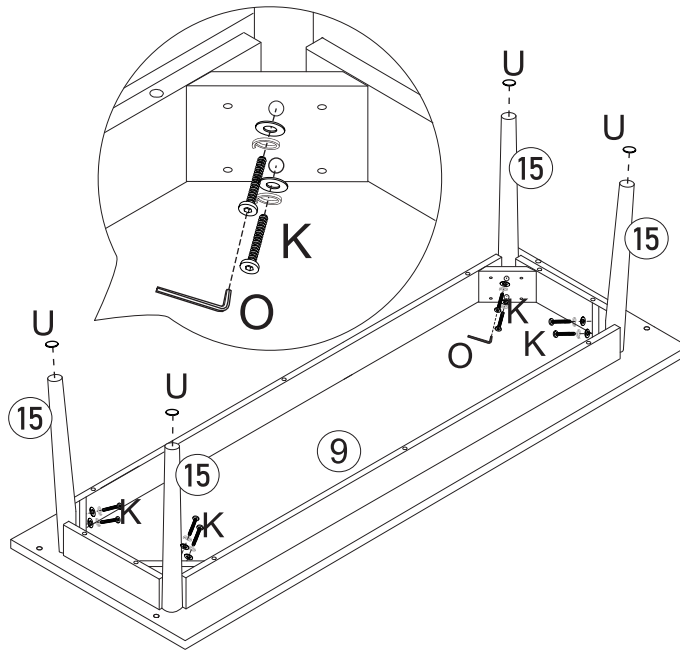
Step 7.



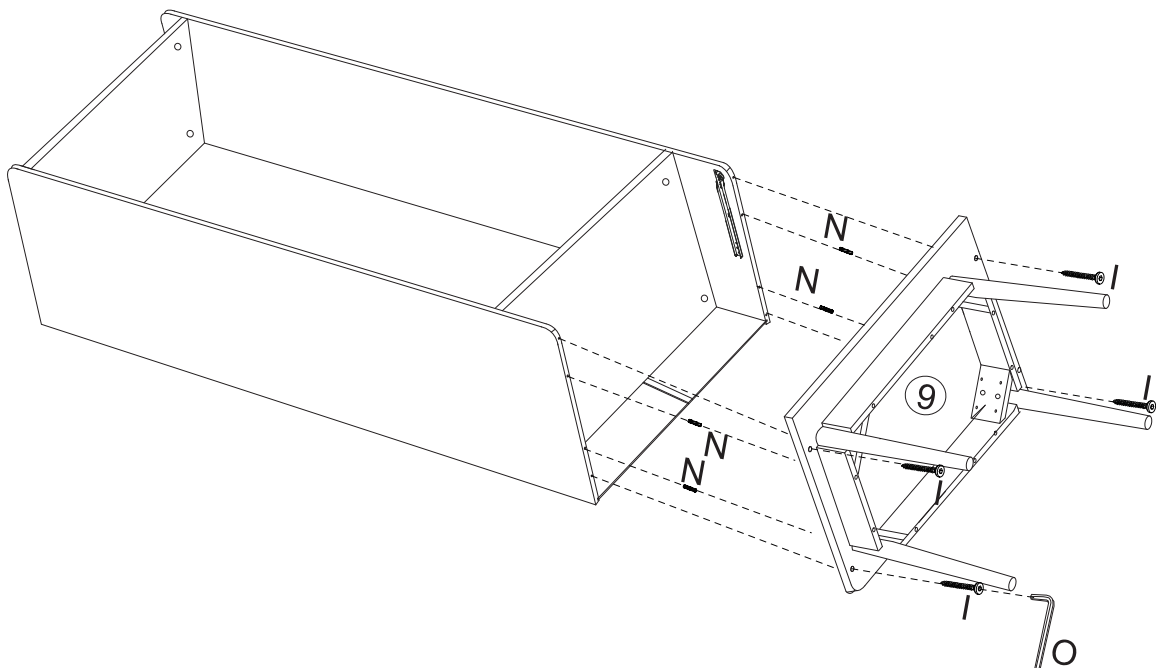
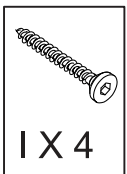
Step 8.



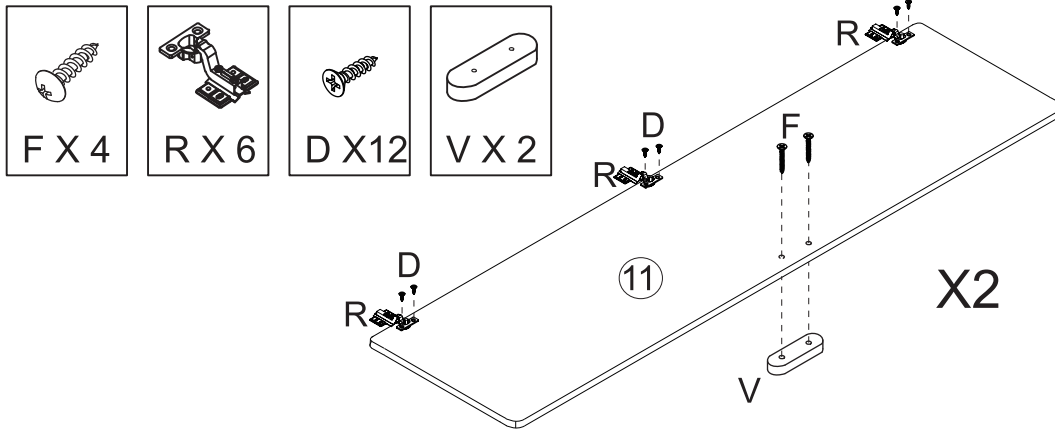
Step 9.



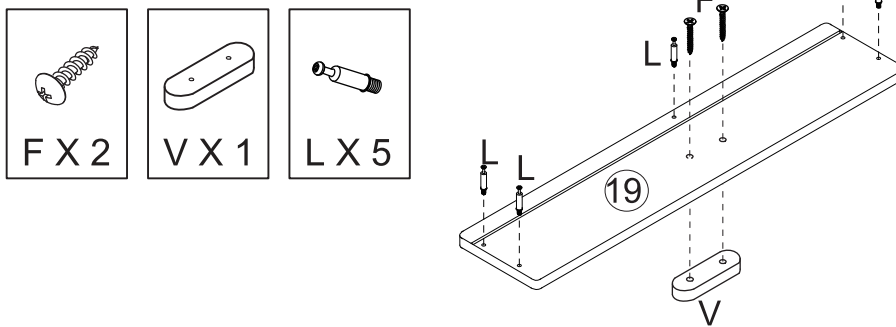
Step 10.



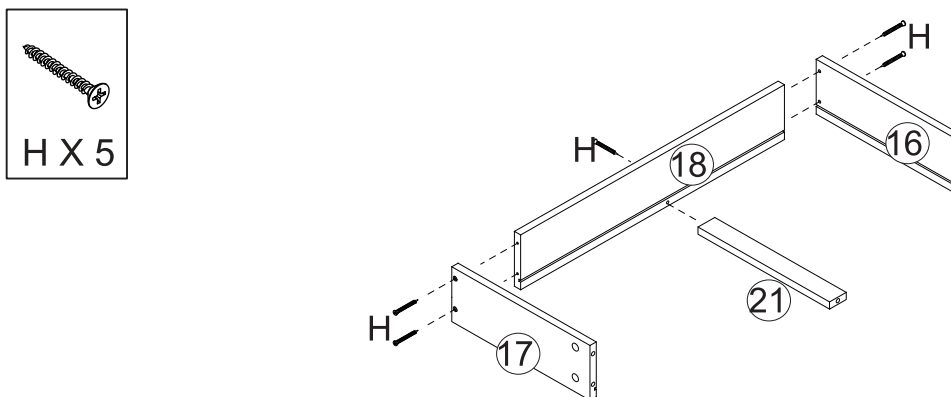
Step 11.



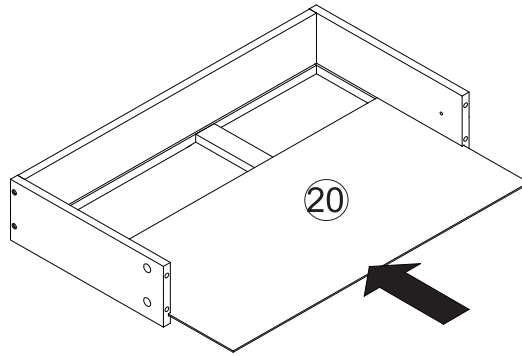
Step 12.



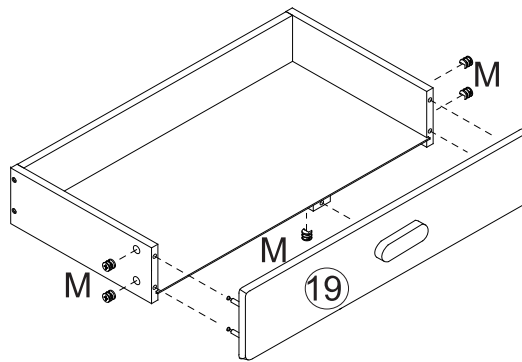
Step 13.



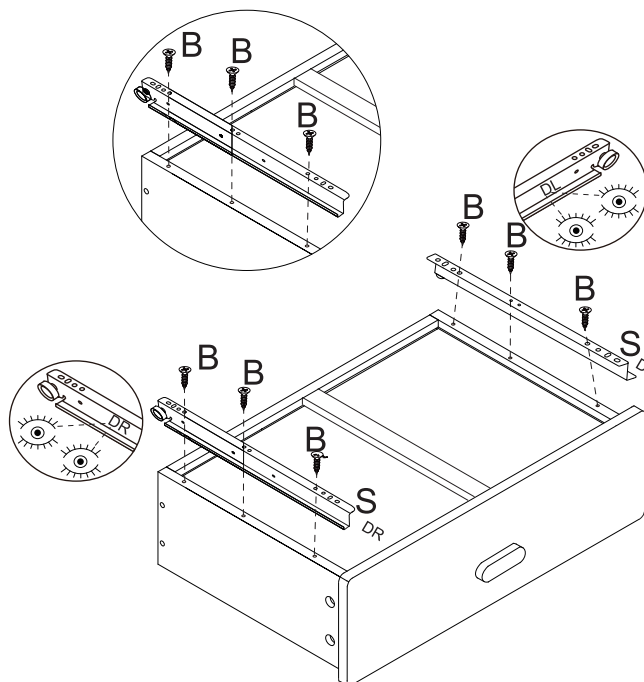
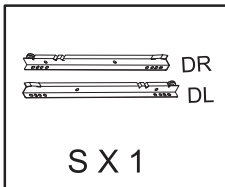
Step 14.



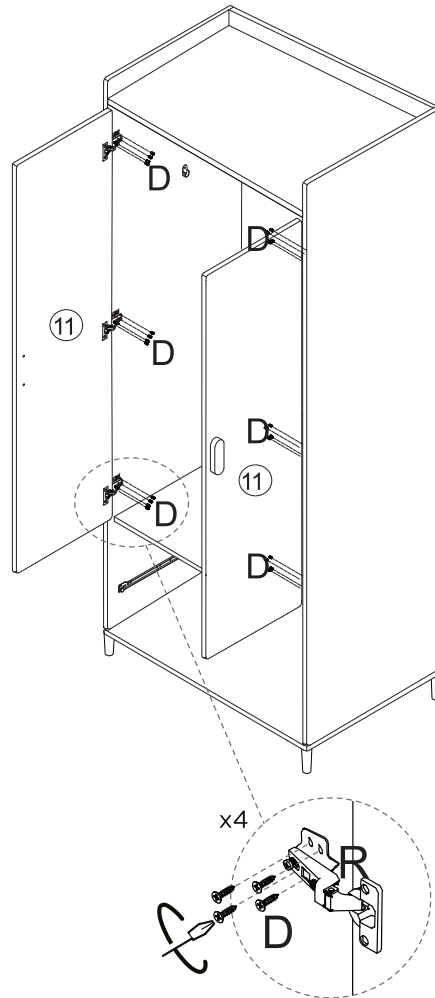
Step 15.



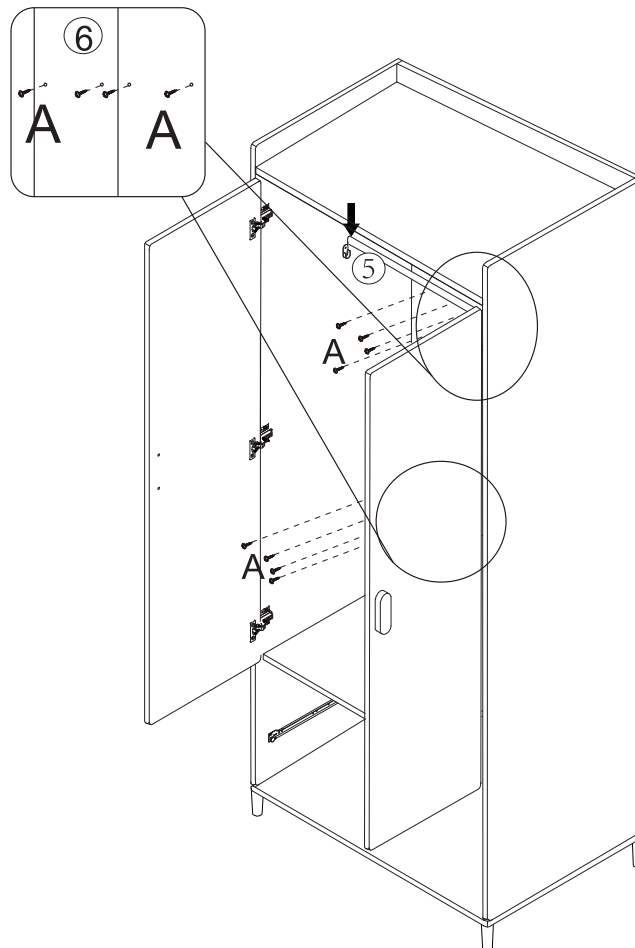
Step 16.



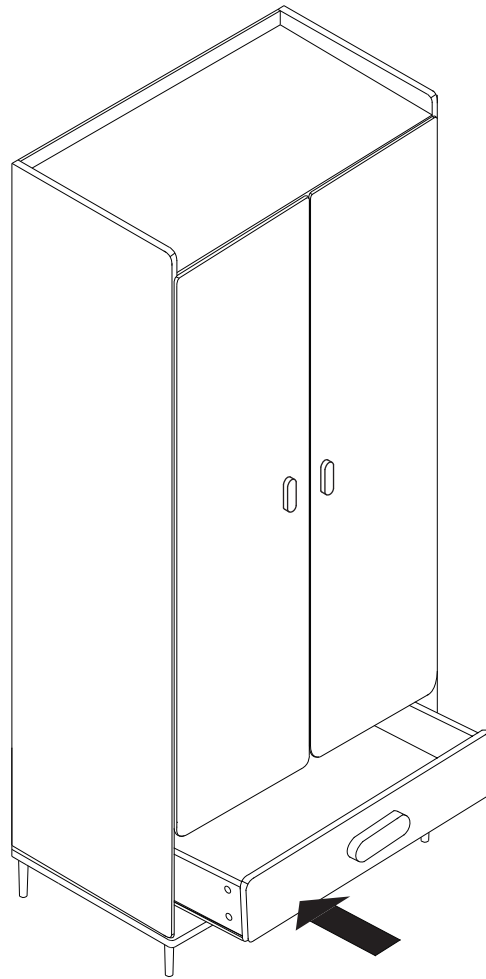
Step 17.



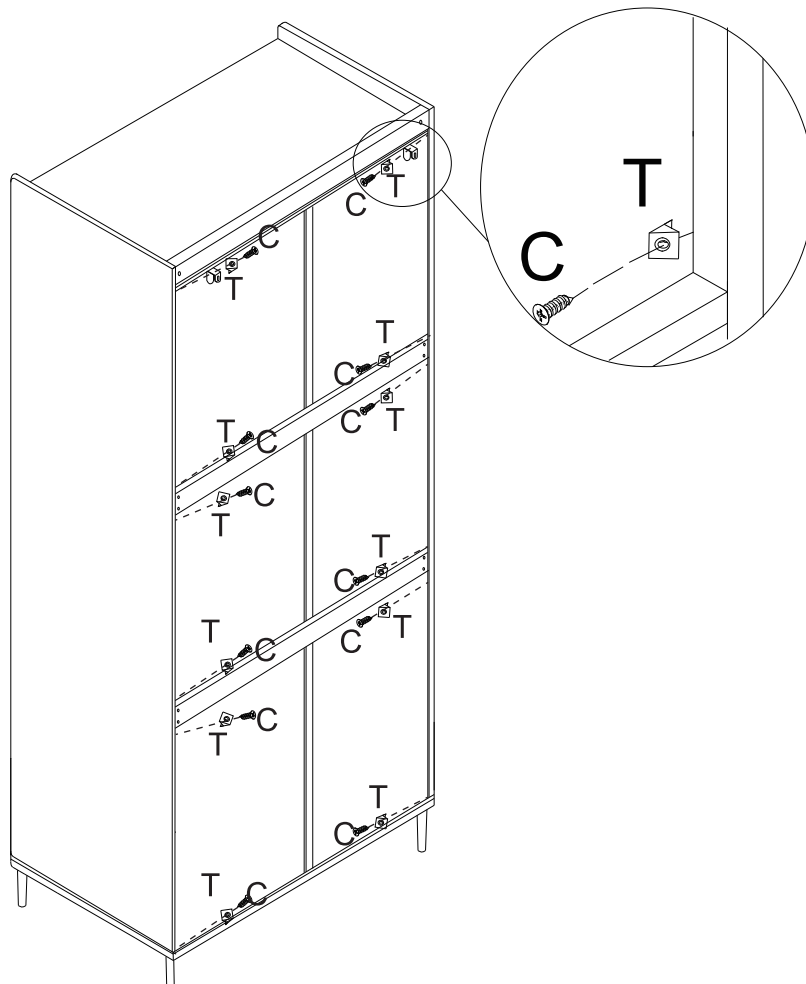
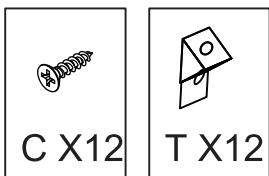
Step 18.



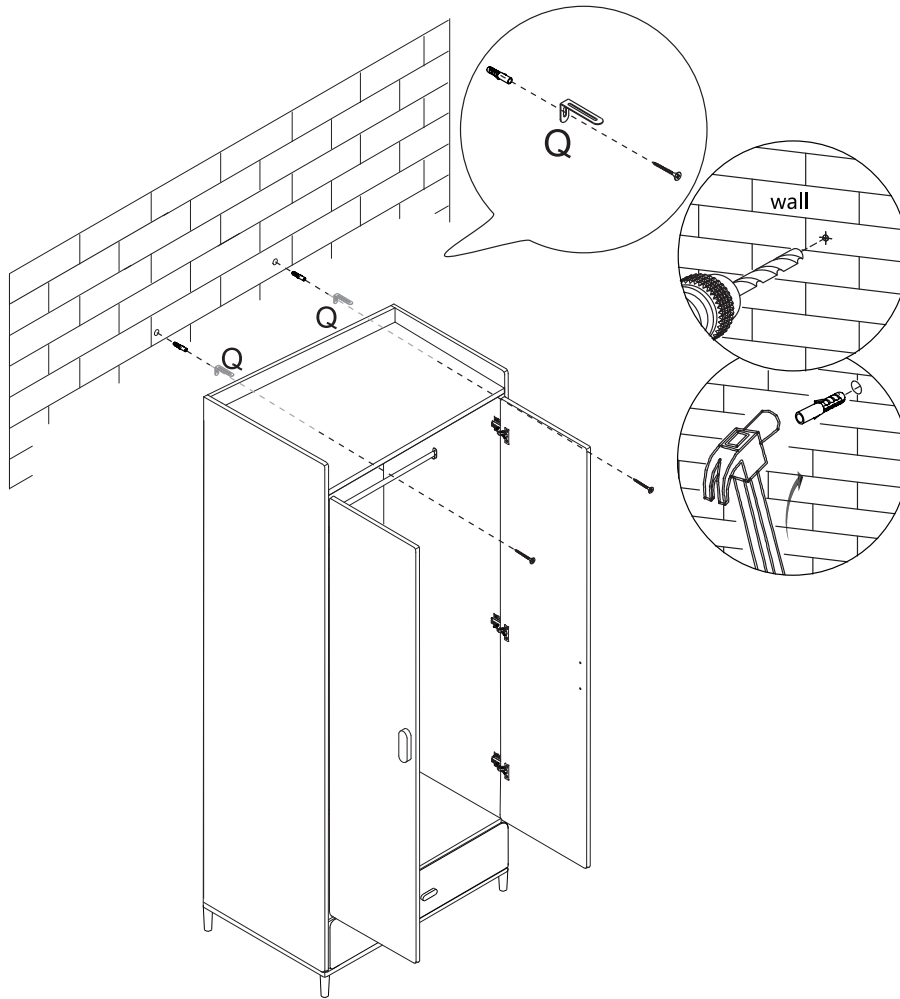
Step 19.



Step 20.



Step 21.



Step 22.

