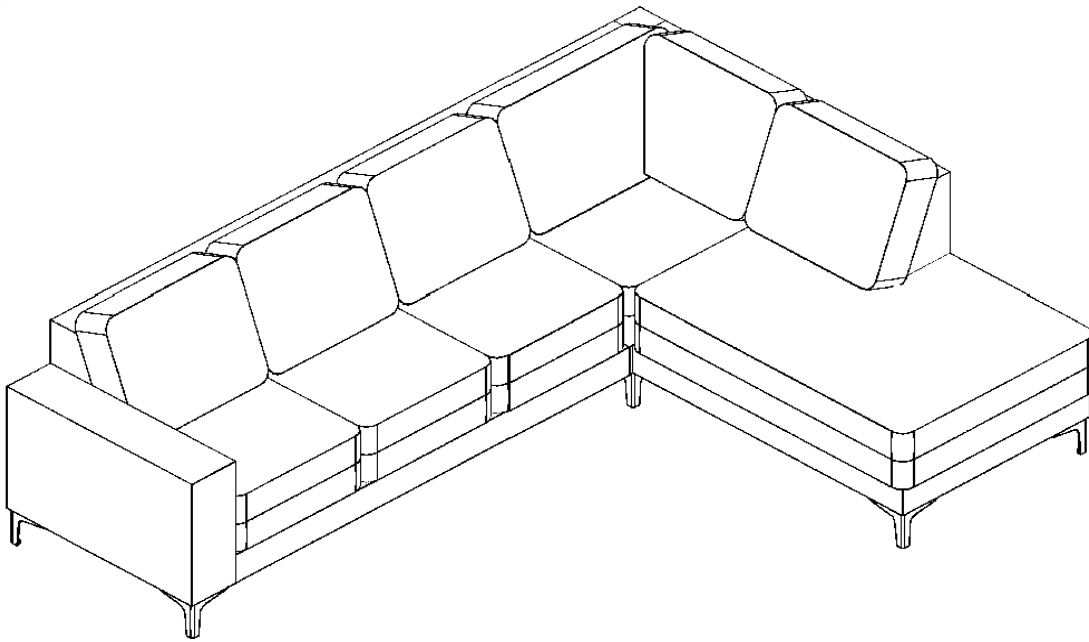


**whkmp's**  
\_ own

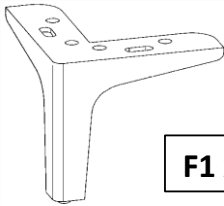


15min



---

## TWIGO OPEN CORNER

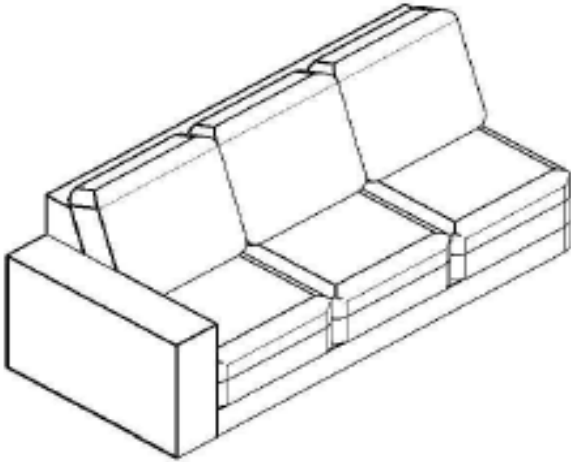


F1 x7

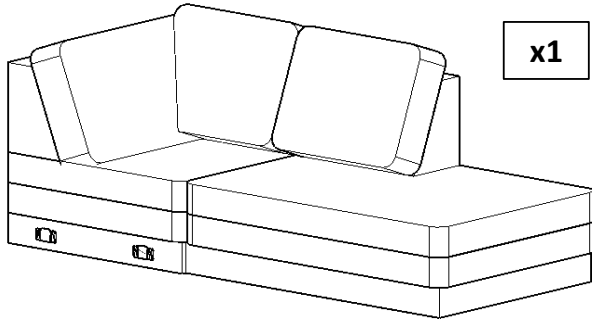


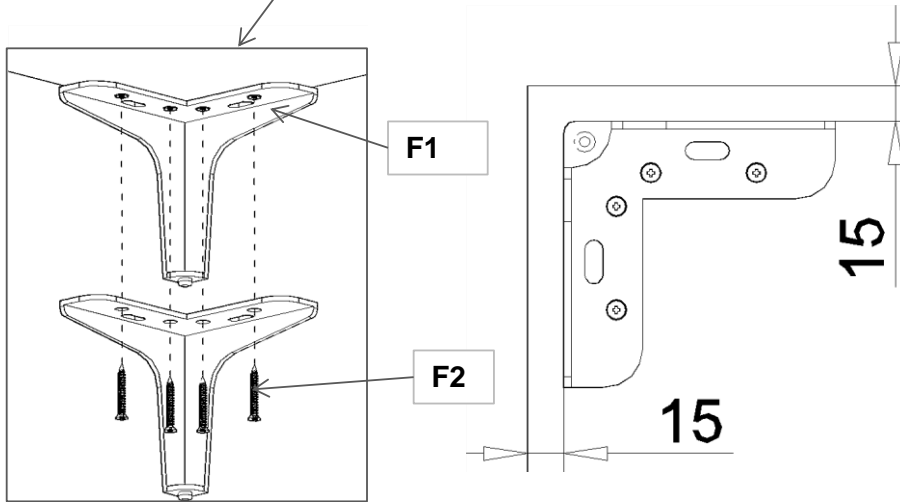
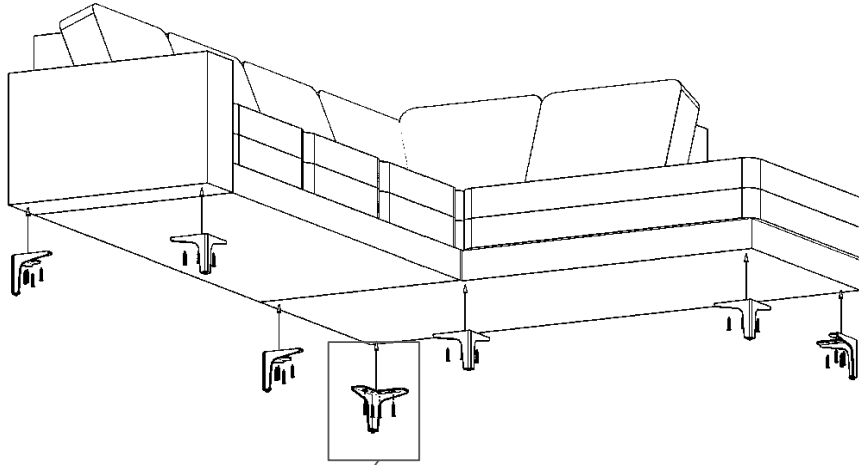
F2 (5x30) x 28

x1

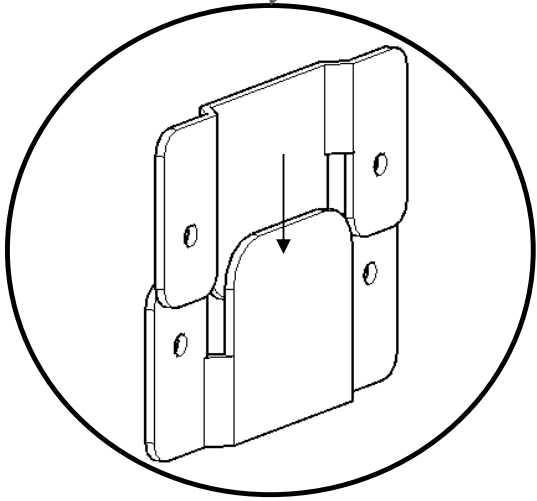
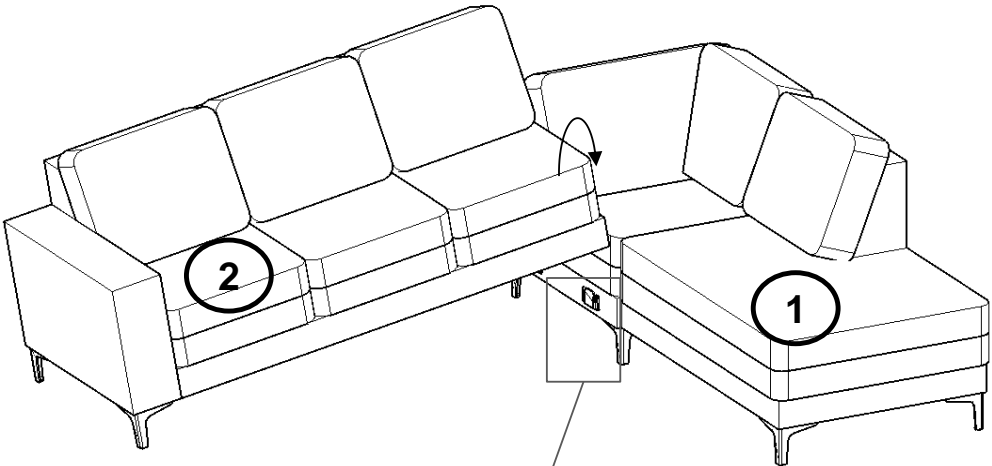


x1





1



2