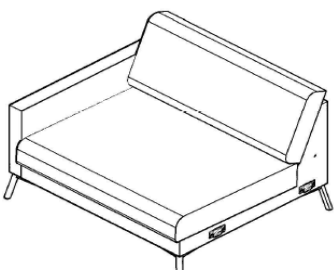
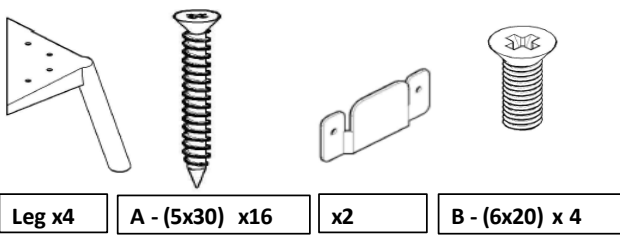
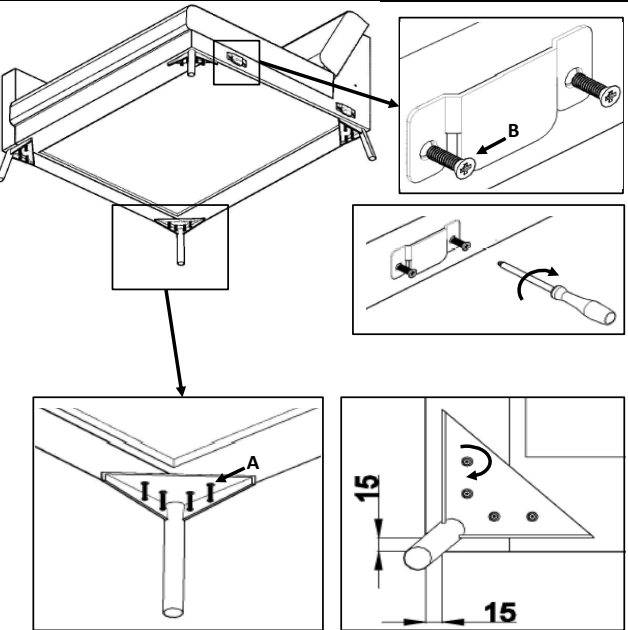


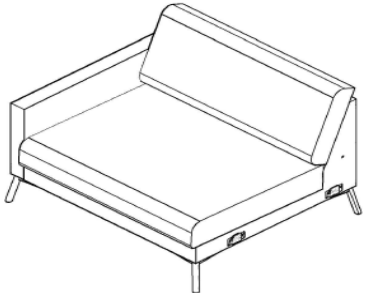
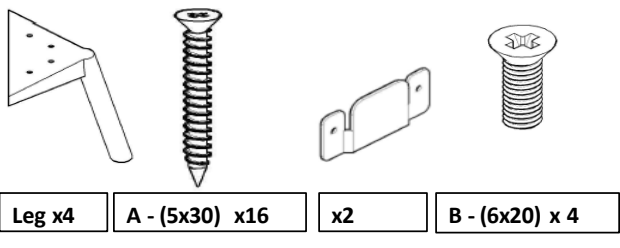
**assembly instruction**

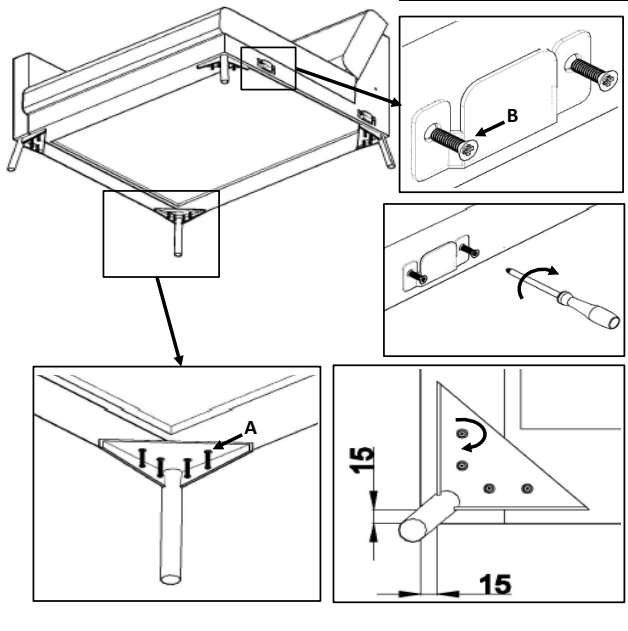
Leg x4    A - (5x30) x16    x2    B - (6x20) x 4



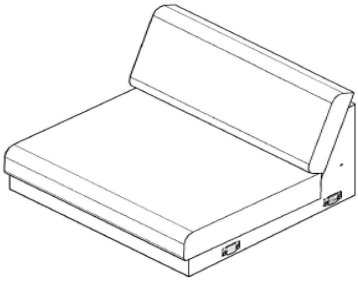
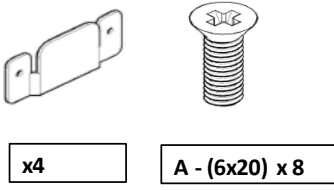
**assembly instruction**

Leg x4    A - (5x30) x16    x2    B - (6x20) x 4



**assembly instruction**

x4    A - (6x20) x 8

