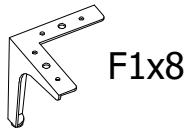
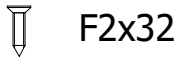


A



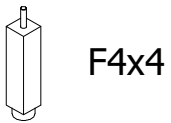
F1x8



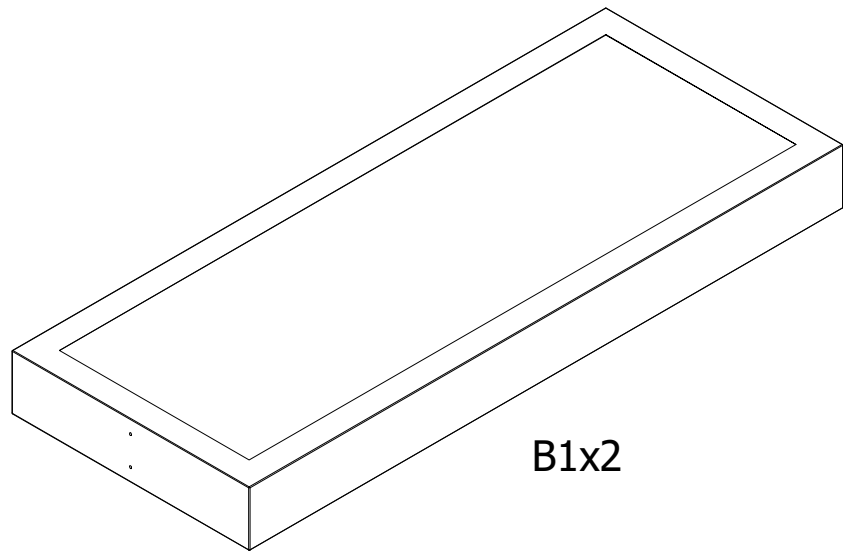
F2x32



F3x4



F4x4

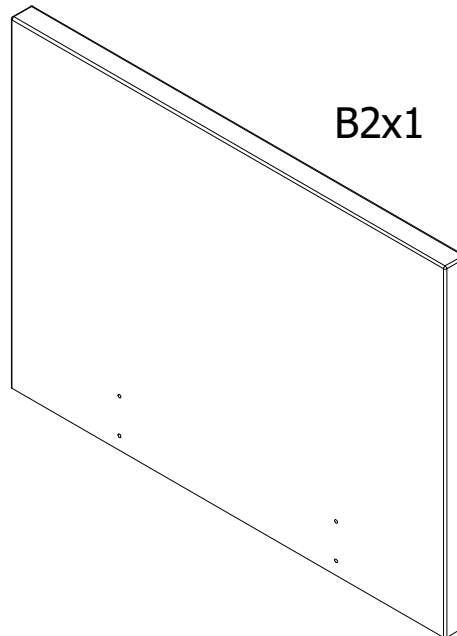


B1x2

B

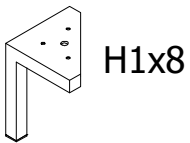


G1x12

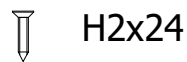


B2x1

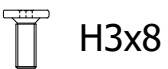
C



H1x8



H2x24



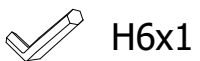
H3x8



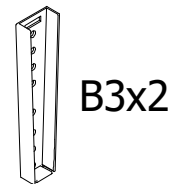
H4x4



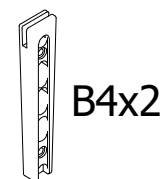
H5x4



H6x1



B3x2

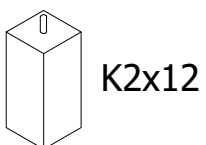


B4x2

D



K1x12



K2x12

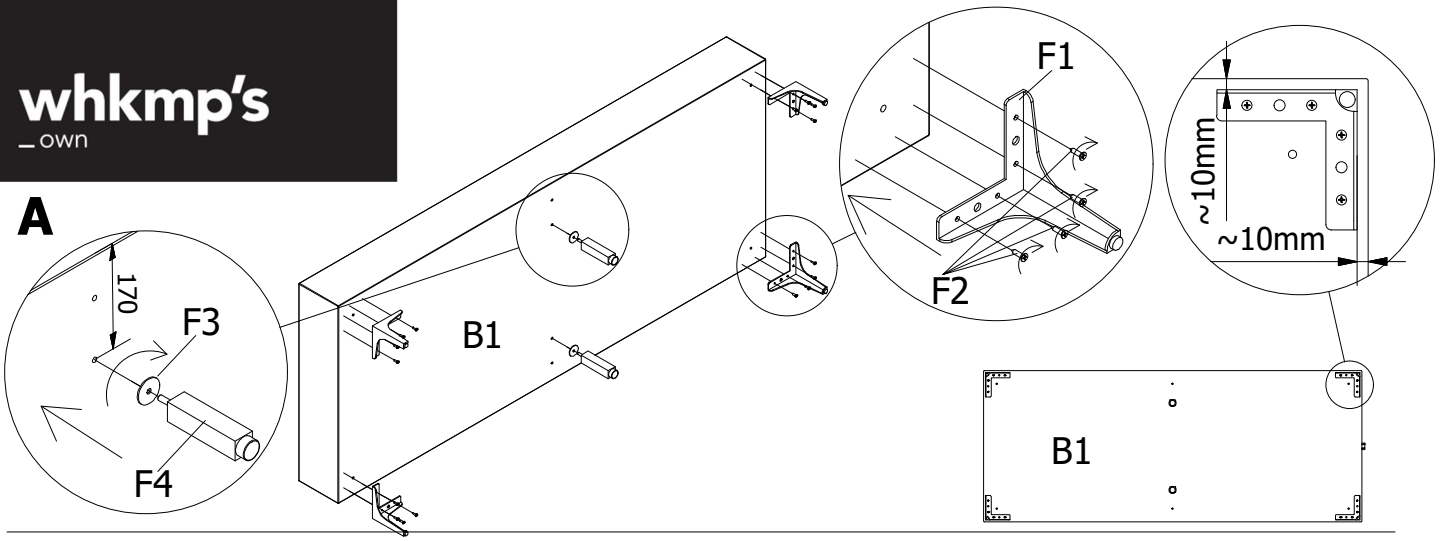


K3x12

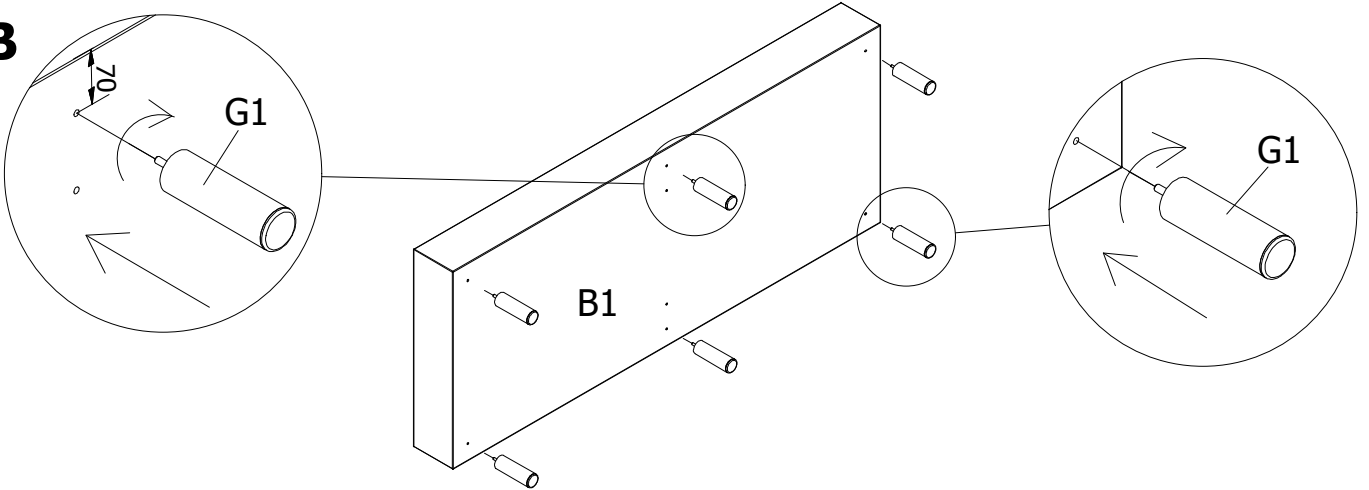


B5x8

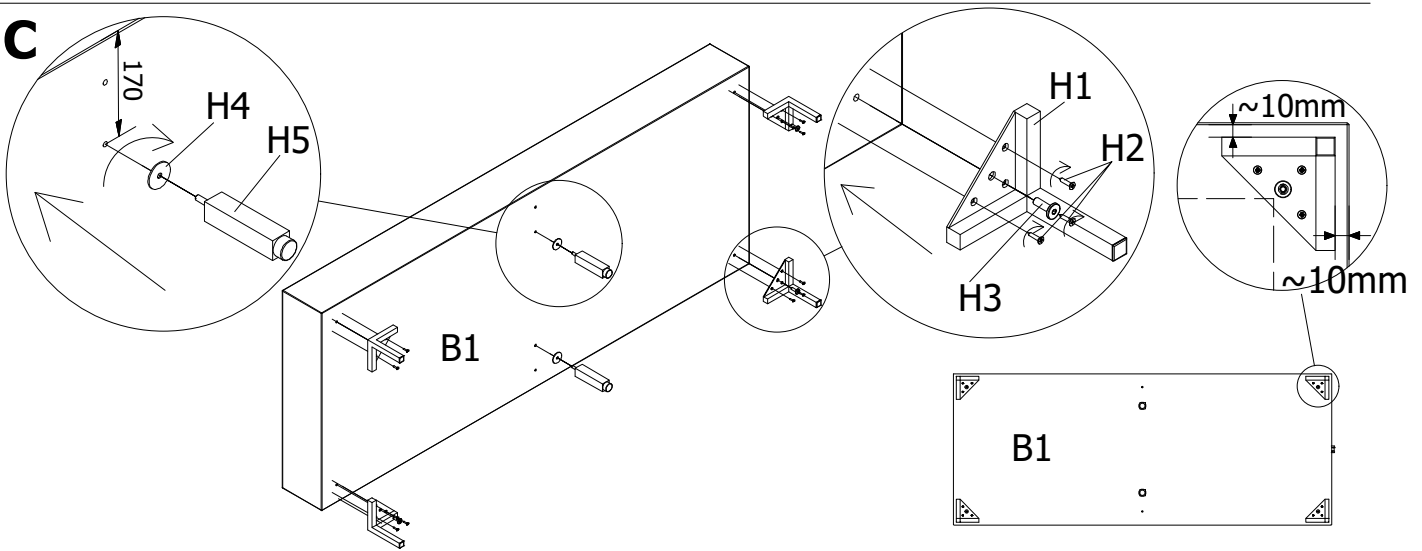
A



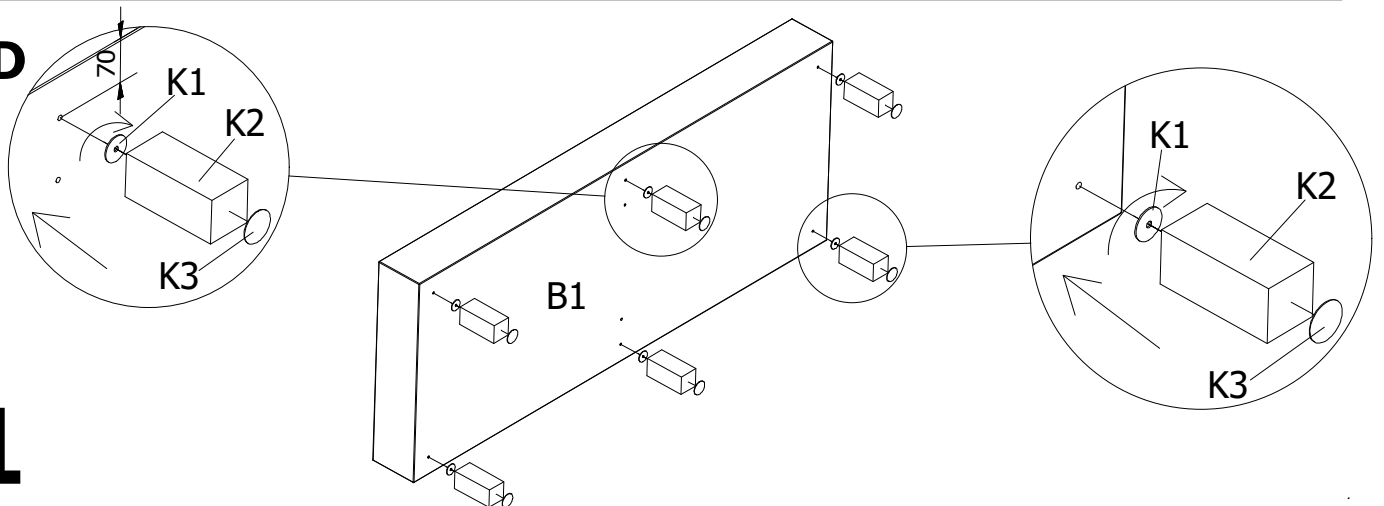
B



C



D



1

