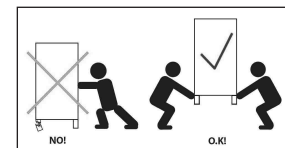
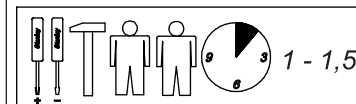
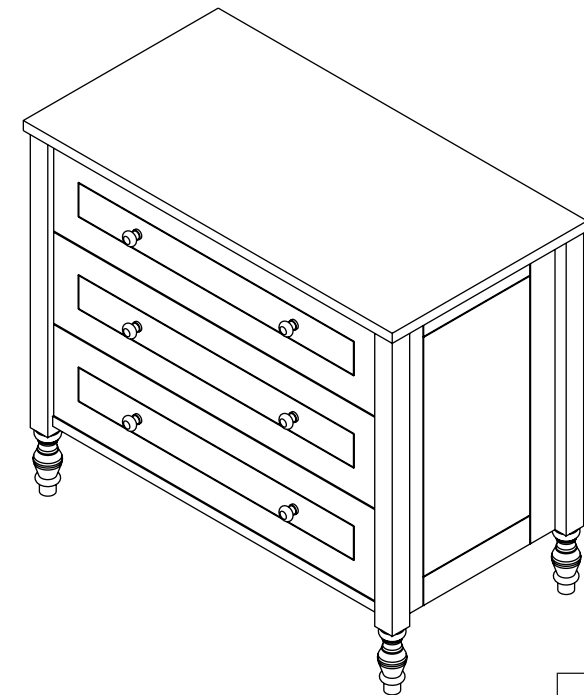


Instruction Manual

**Belle**

DRESSER

175511



DISTRIBUTOR:

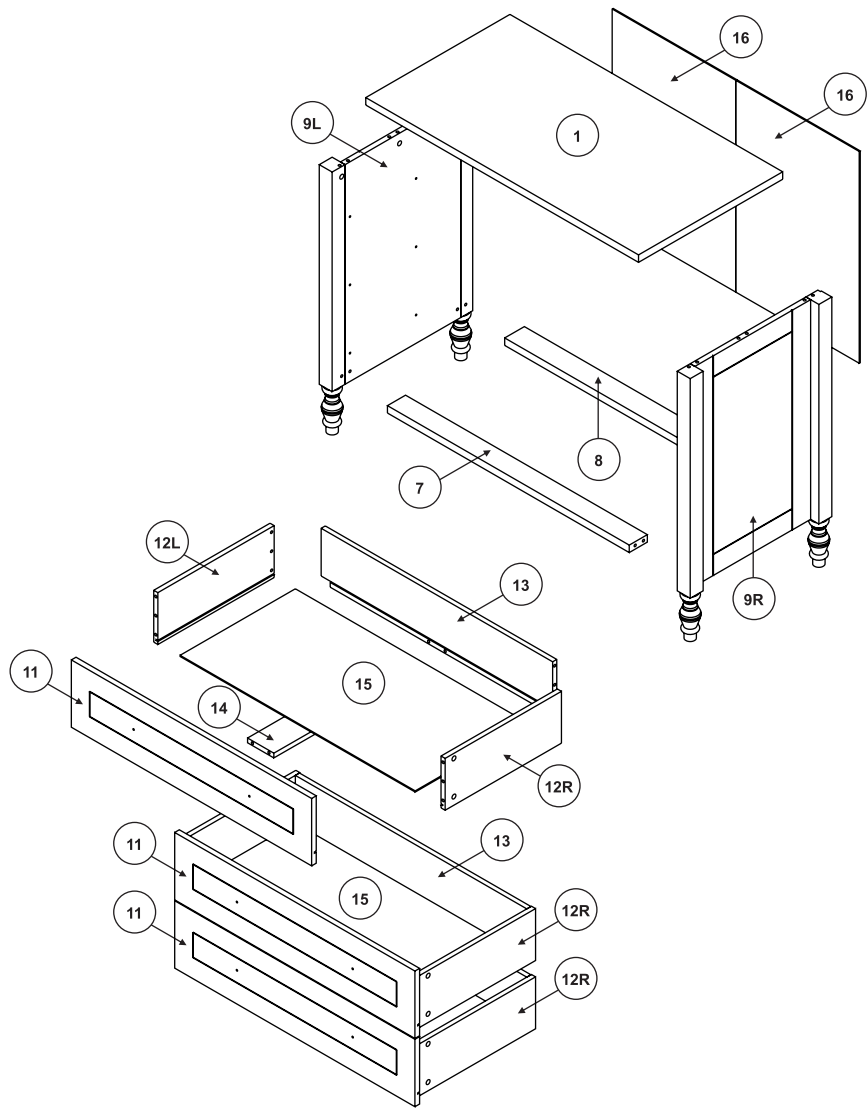
**BOPITA**

*Edisonweg 3, 6662 NW Elst*

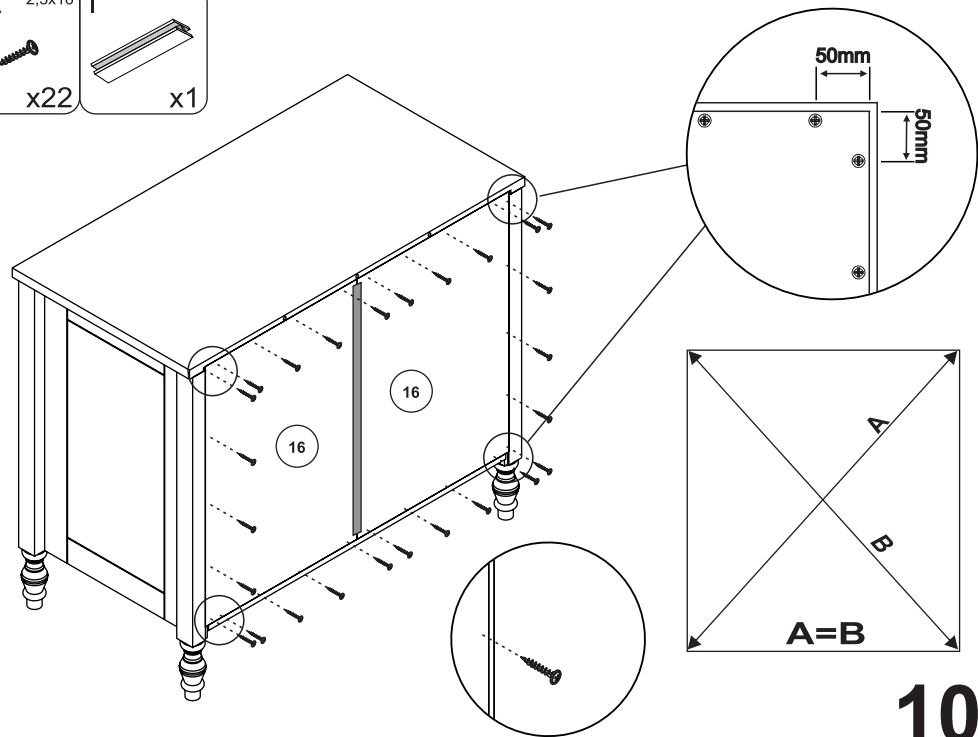
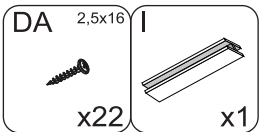
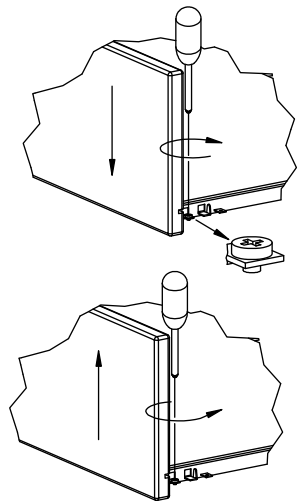
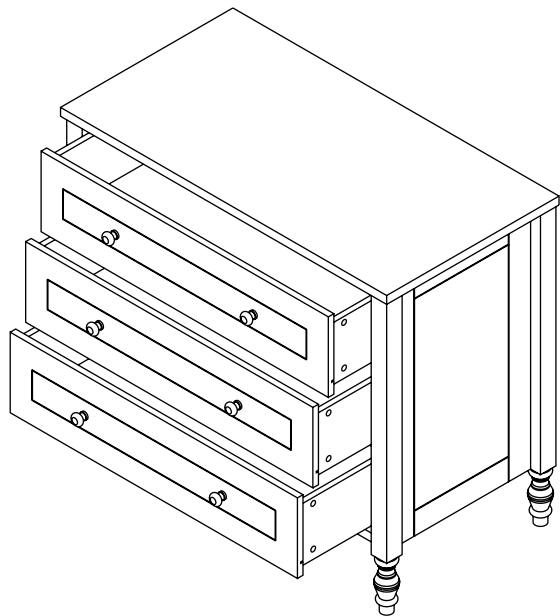
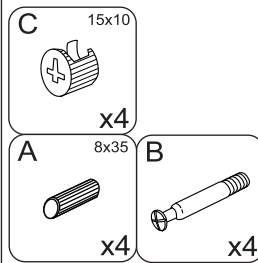
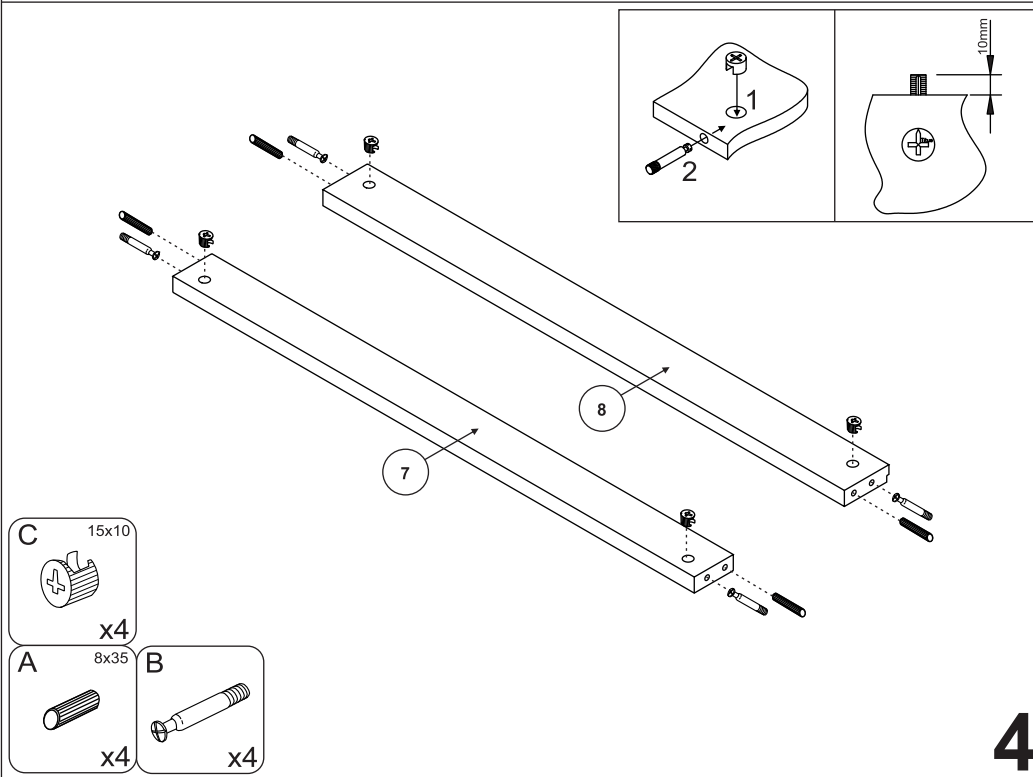
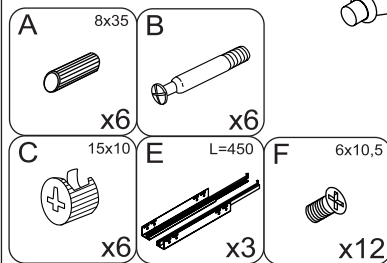
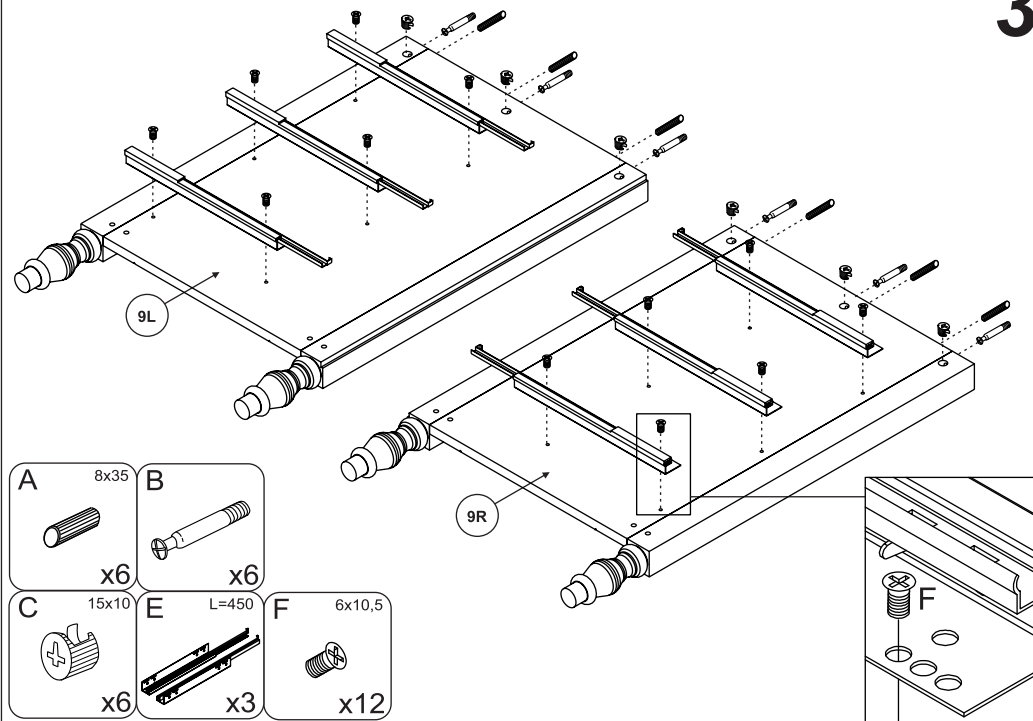
*The Netherlands*

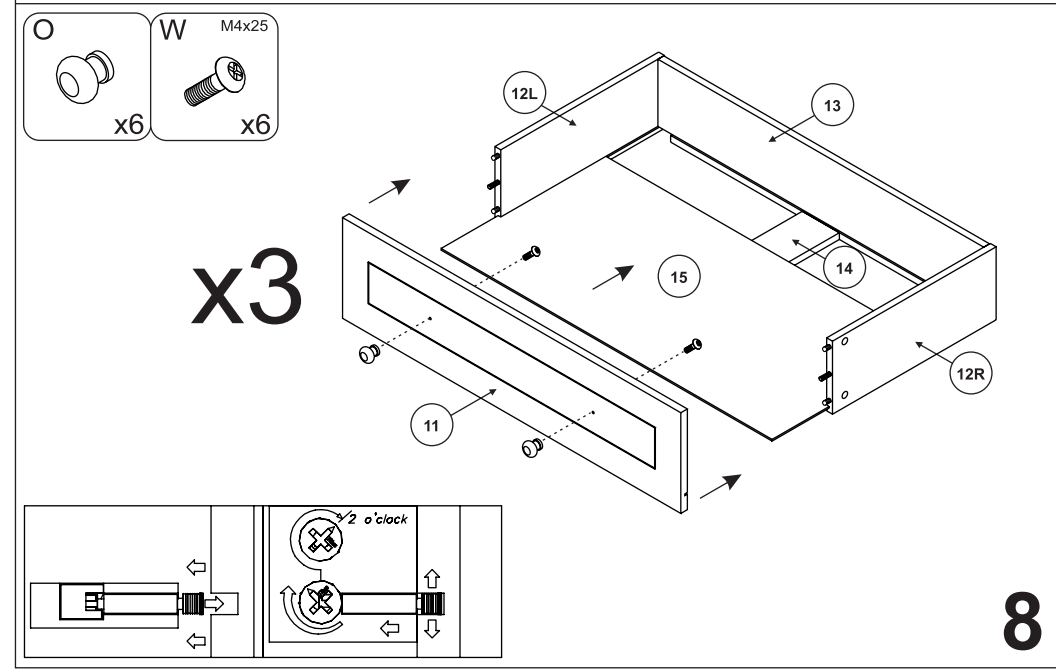
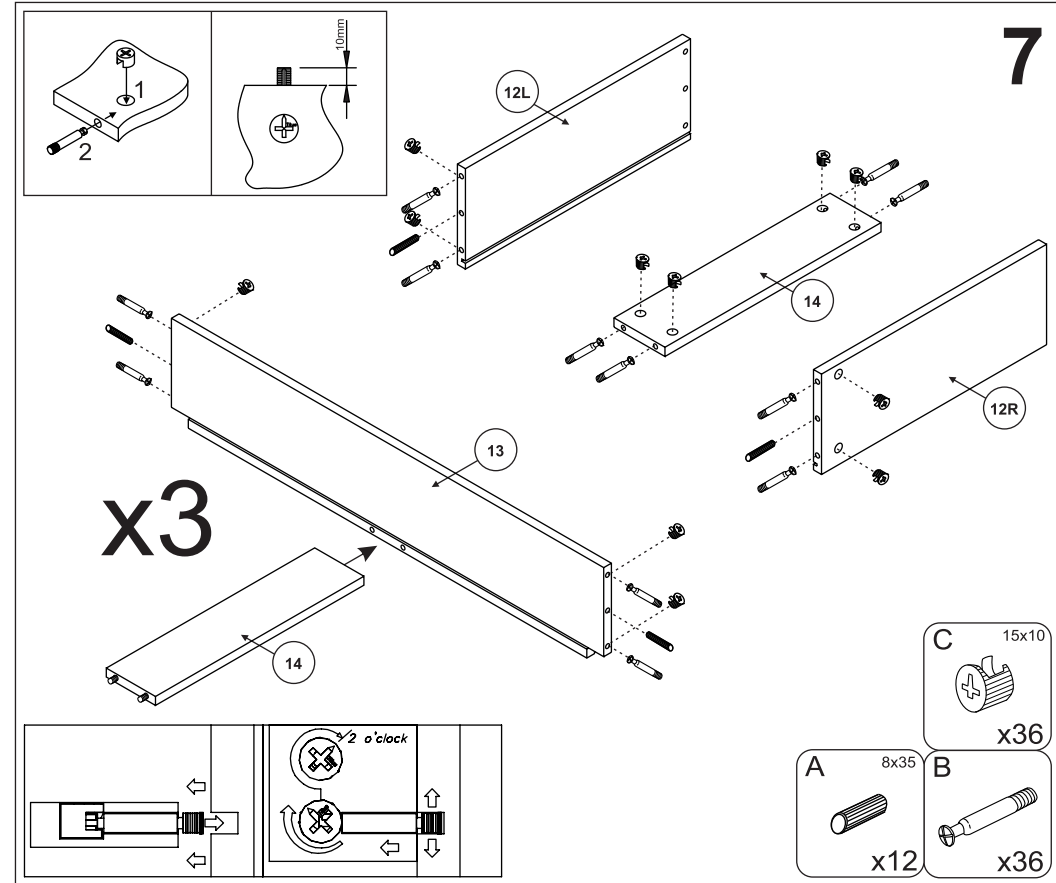
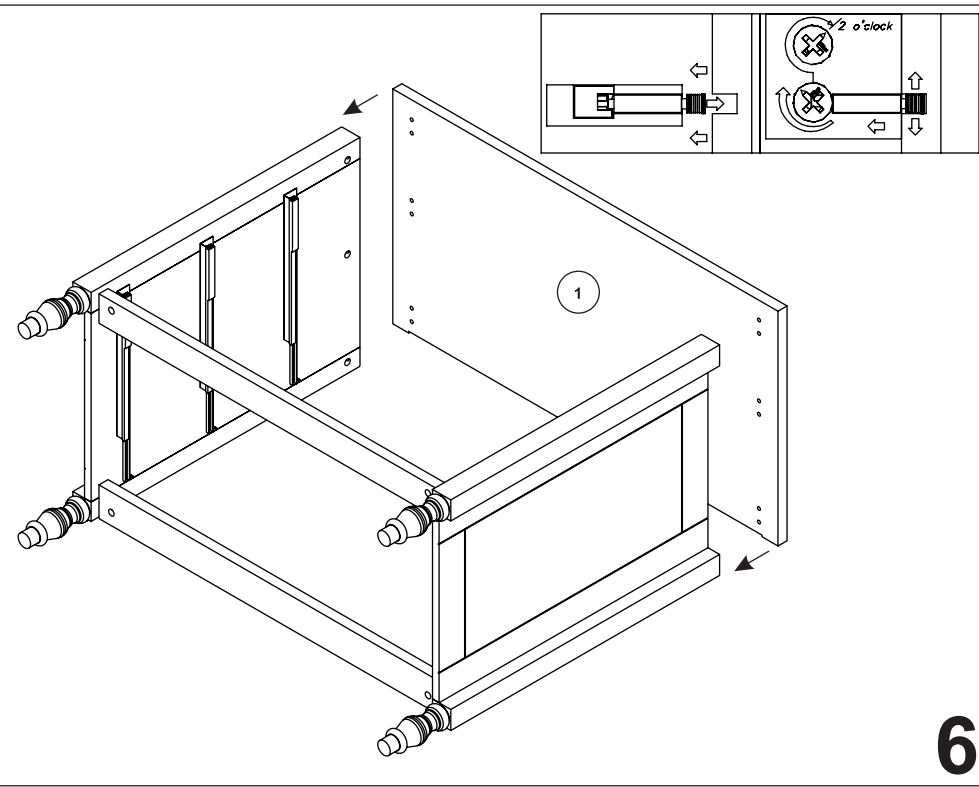
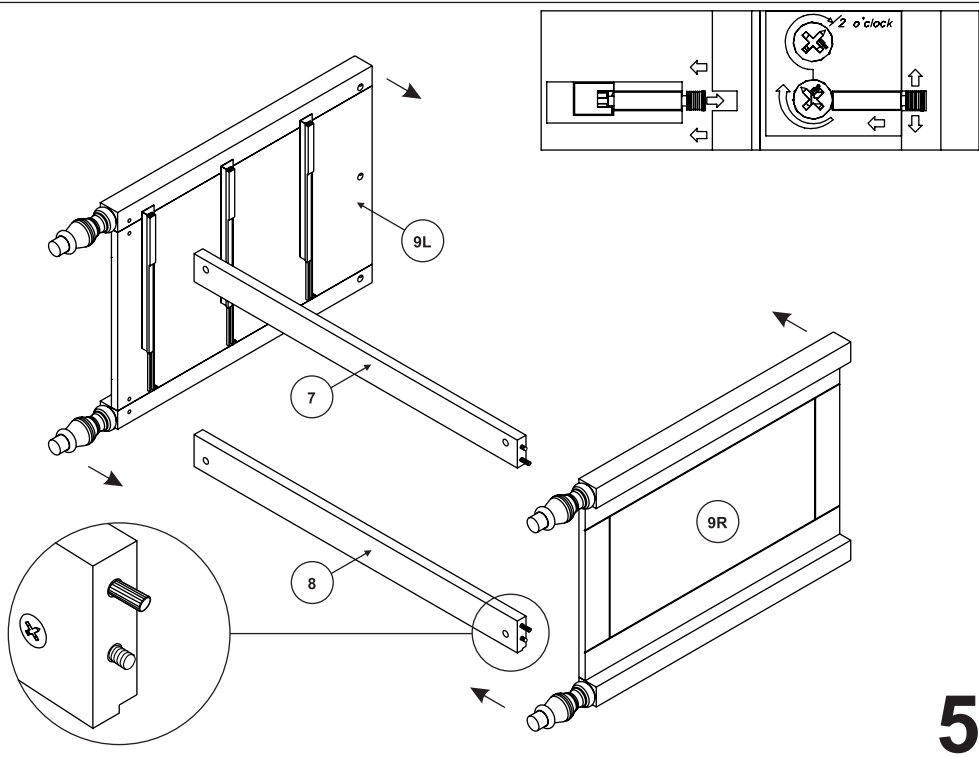
[www.bopita.com](http://www.bopita.com)

29.05.2015.



- |                         |                         |                           |                            |                         |
|-------------------------|-------------------------|---------------------------|----------------------------|-------------------------|
| <b>A</b><br>8x35<br>x22 | <b>B</b><br>x46         | <b>C</b><br>15x10<br>x46  | <b>DA</b><br>2,5x16<br>x22 | <b>E</b><br>L=450<br>x3 |
| <b>I</b><br>x1          | <b>W</b><br>M4x25<br>x6 | <b>F</b><br>6x10,5<br>x12 | <b>O</b><br>x6             |                         |

**9****10****3****4**



x3

x3

