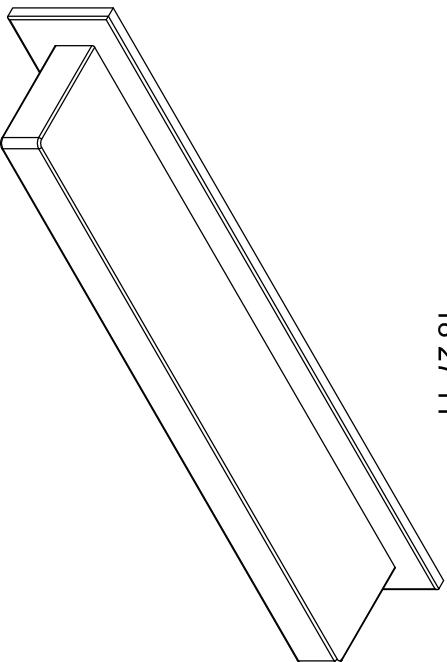
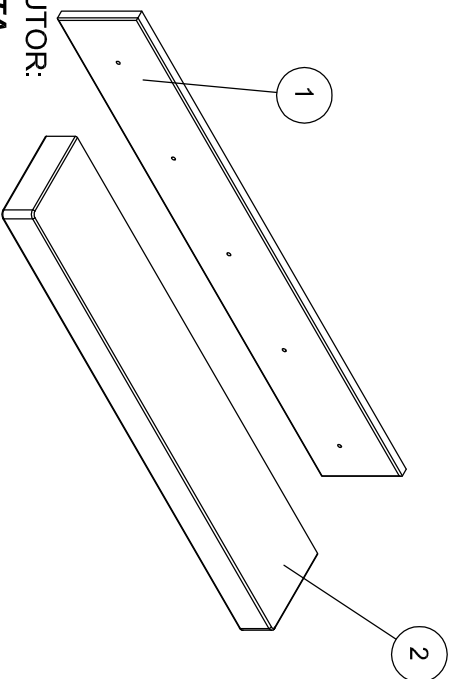


Corsica

SHELF
18 27 11



- A $\varnothing 7 \times 50$ X3
- B X1
- C $\varnothing 8 \times 35$ X2
- D $4.3 \times 15 \times 3$ X2
- E $\varnothing 3 \times 13$ X4

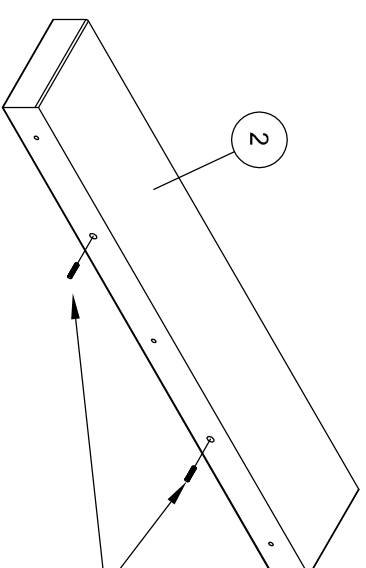


DISTRIBUTOR:

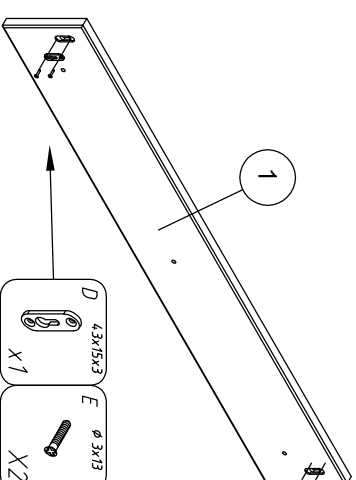
BOPITA

Edisonweg 3, 6662 NW Elst
The Netherlands
www.bopita.com

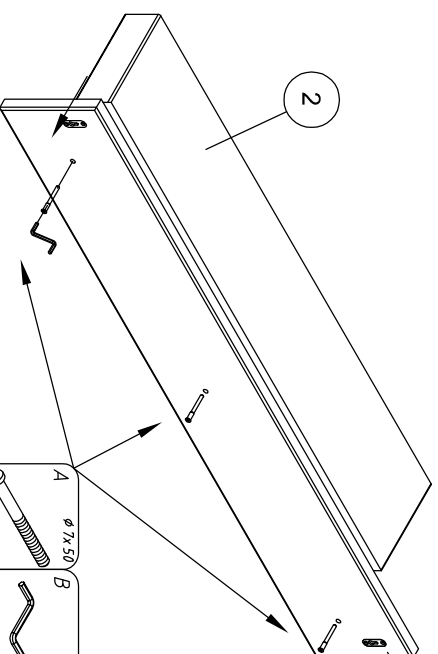
13.09.2008.



- C $\varnothing 8 \times 35$ X2



- D $4.3 \times 15 \times 3$ X1
- E $\varnothing 3 \times 13$ X2



- A $\varnothing 7 \times 50$ X3
- B X1