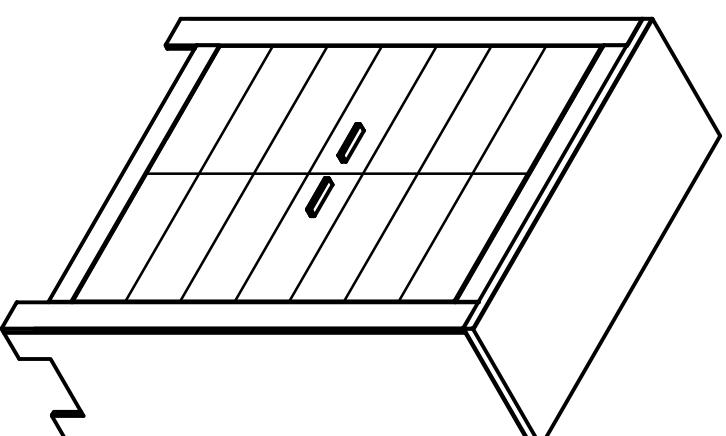


Manual instruction

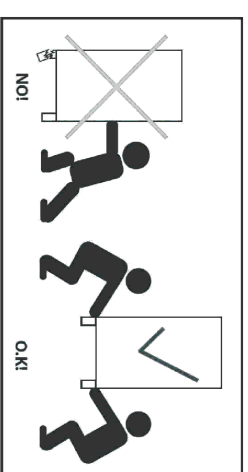
**Merel**  
WARDROBE  
16 71 11

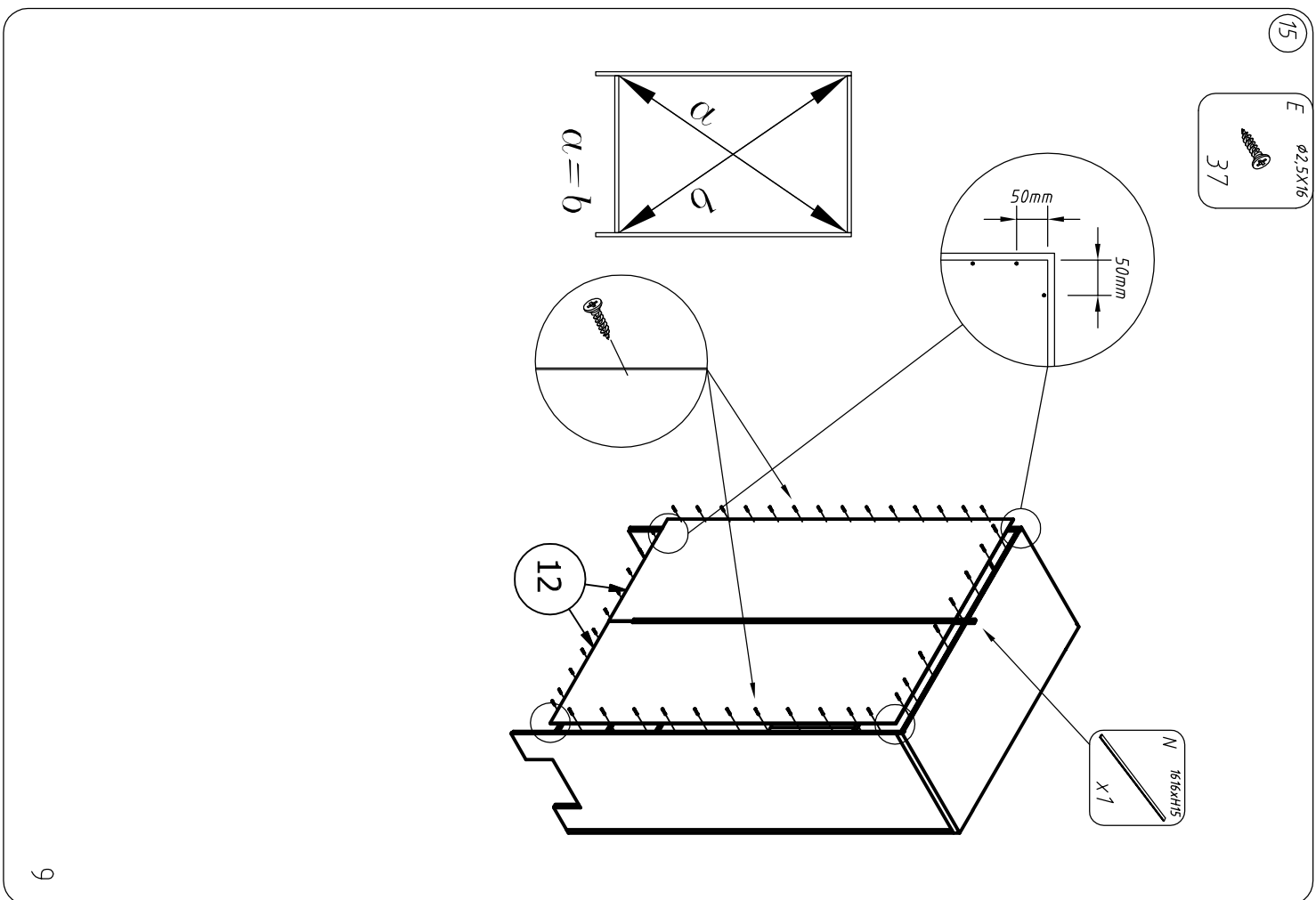
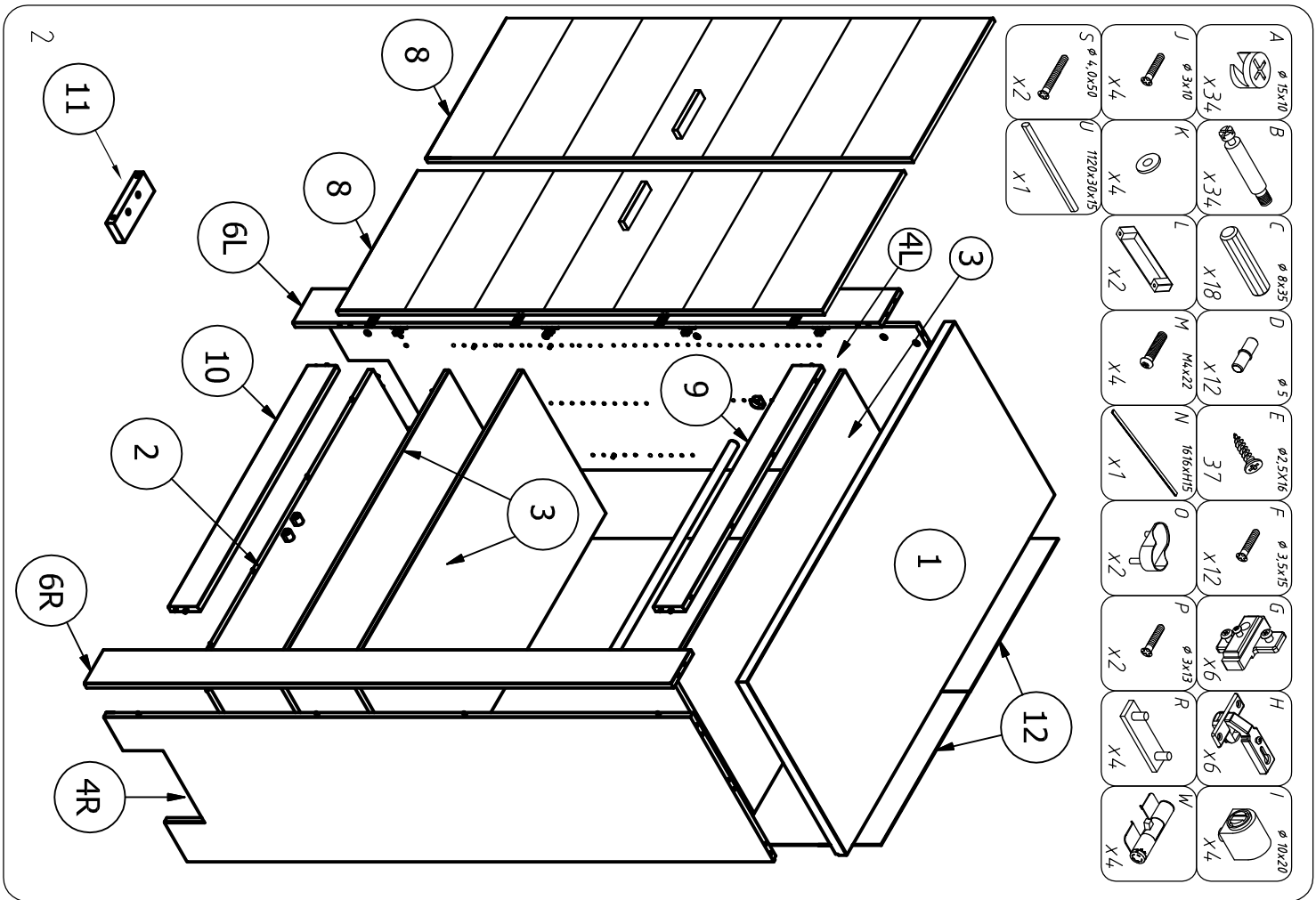


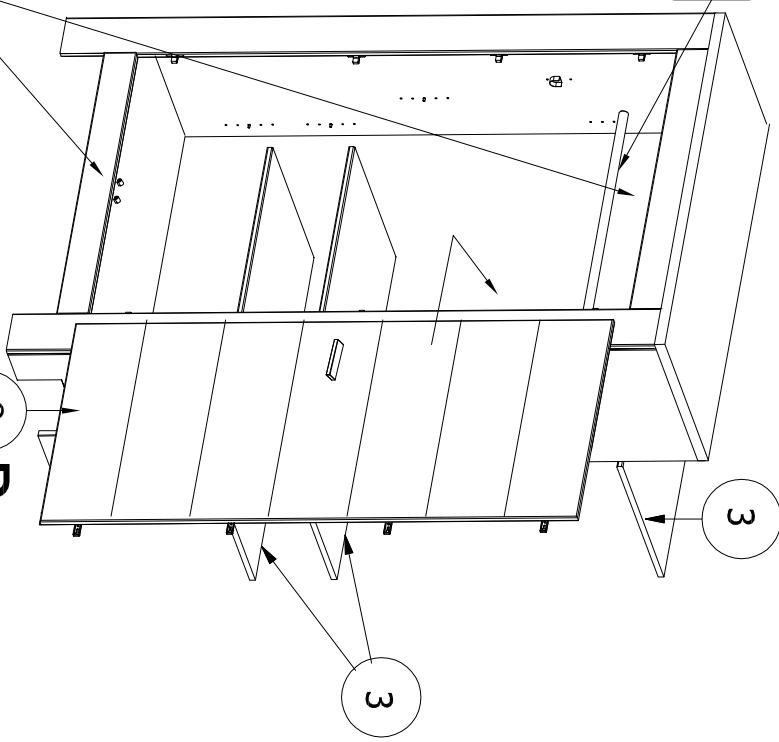
DISTRIBUTOR:

**BOPITA**

Edisonweg 3, 6662 NW Elst  
The Netherlands  
[www.bopita.com](http://www.bopita.com)



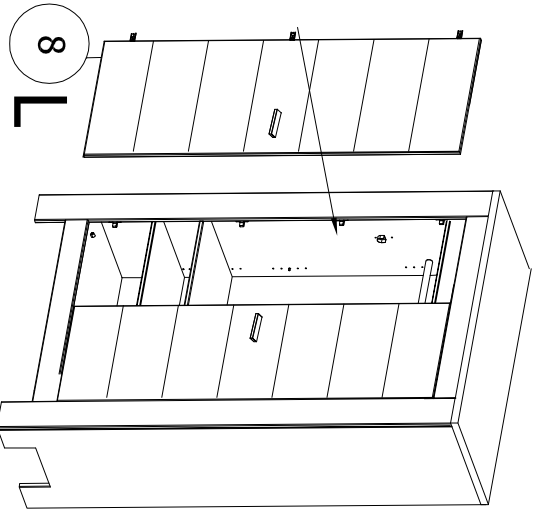
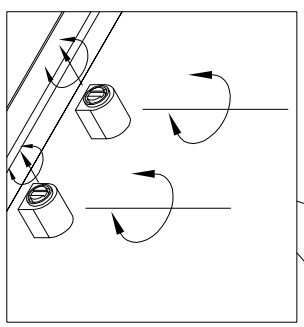




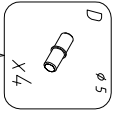
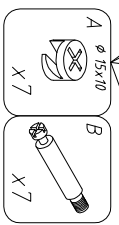
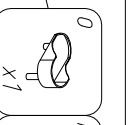
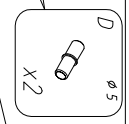
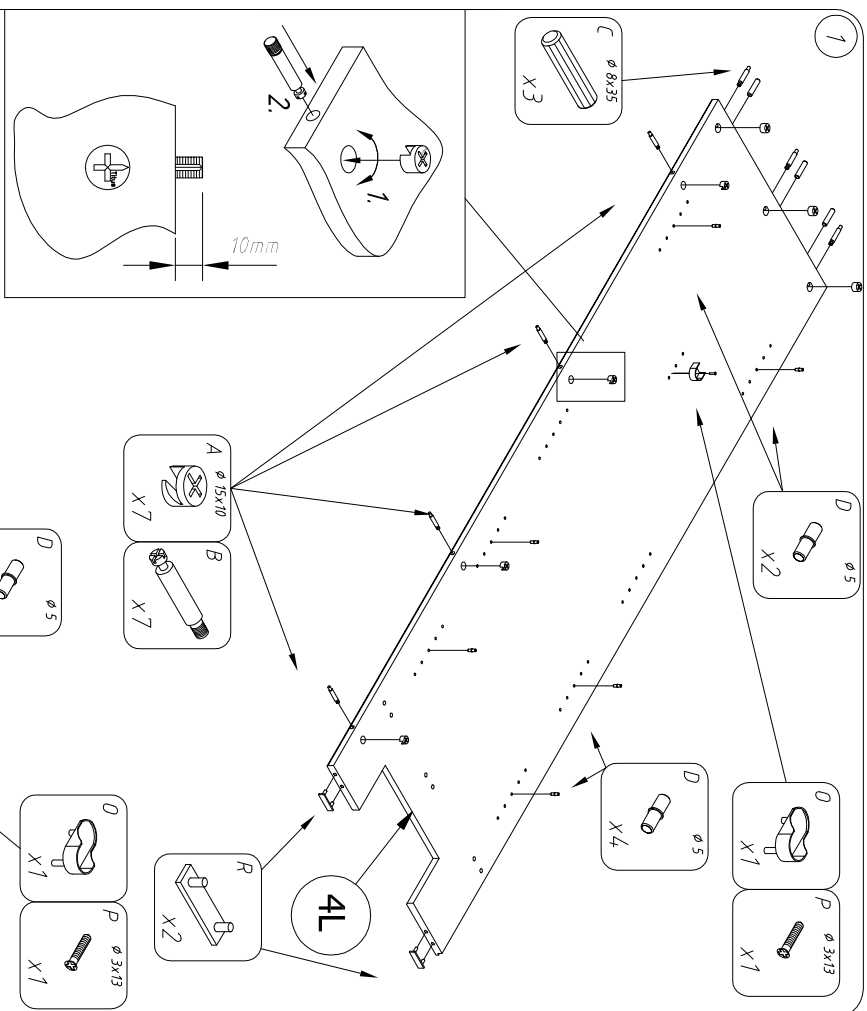
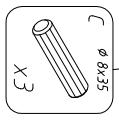
3

3

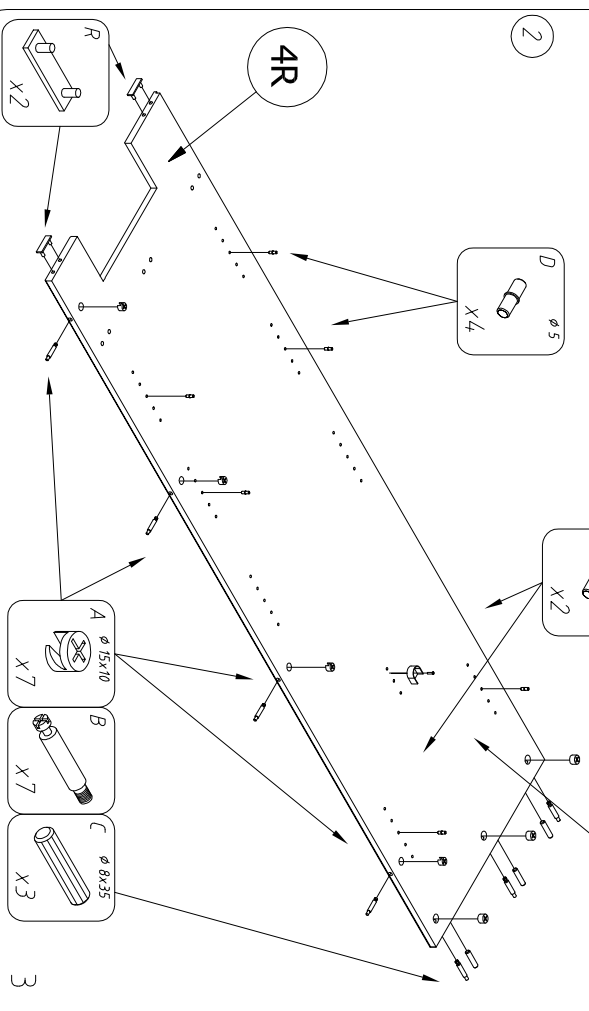
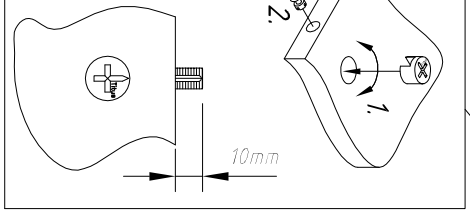
8 R



8 L

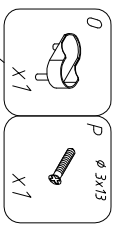
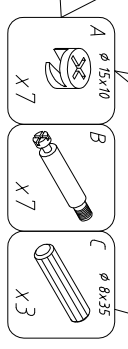


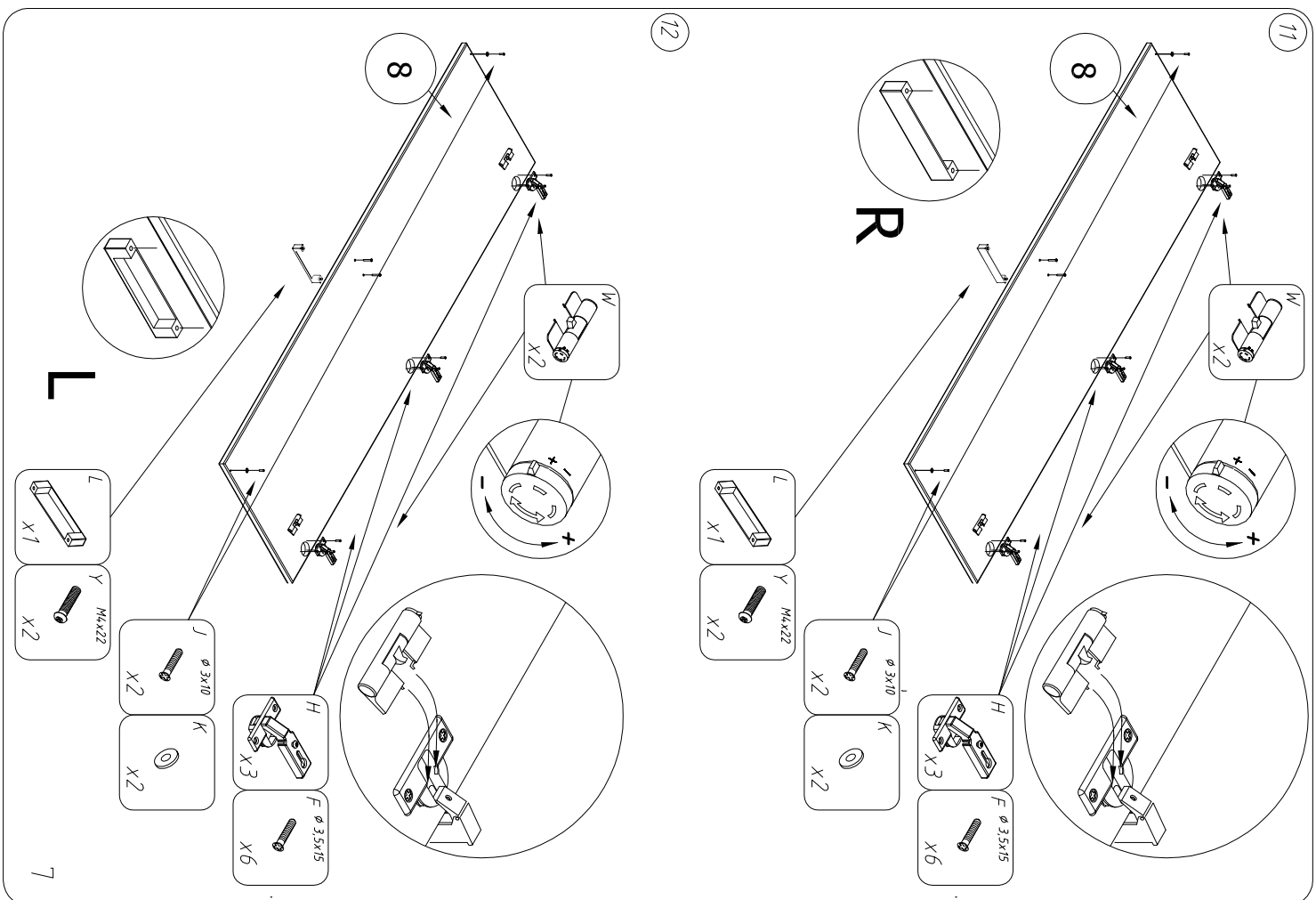
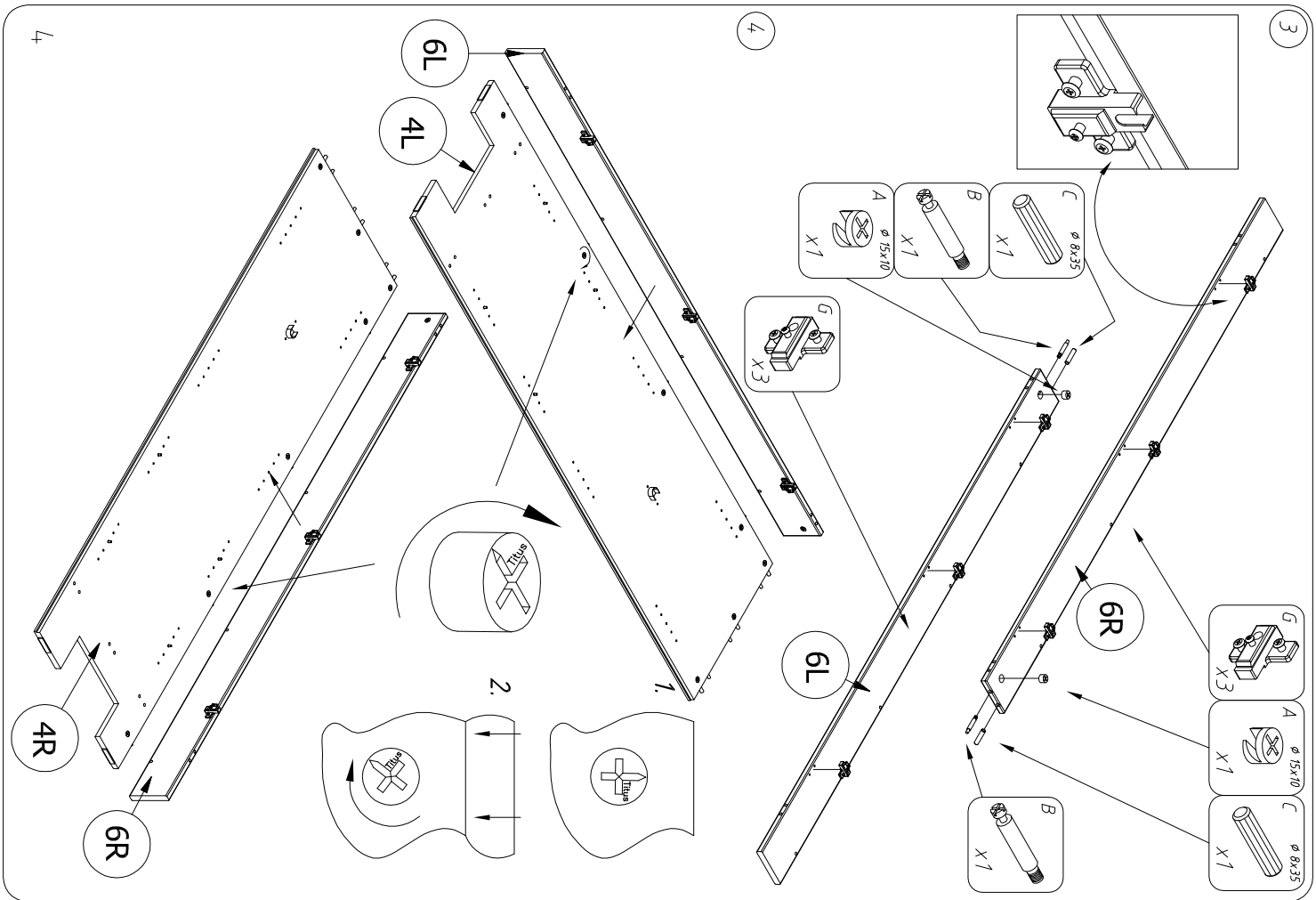
2



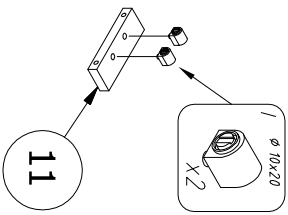
4R

4L

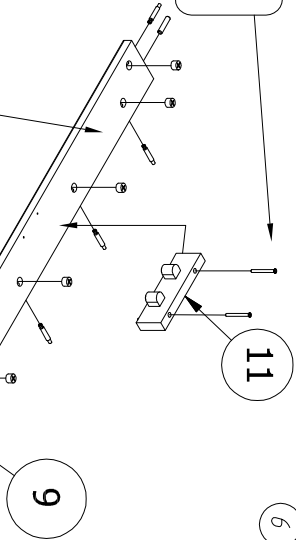
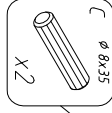
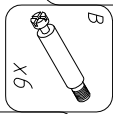
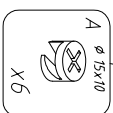




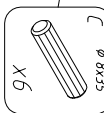
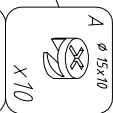
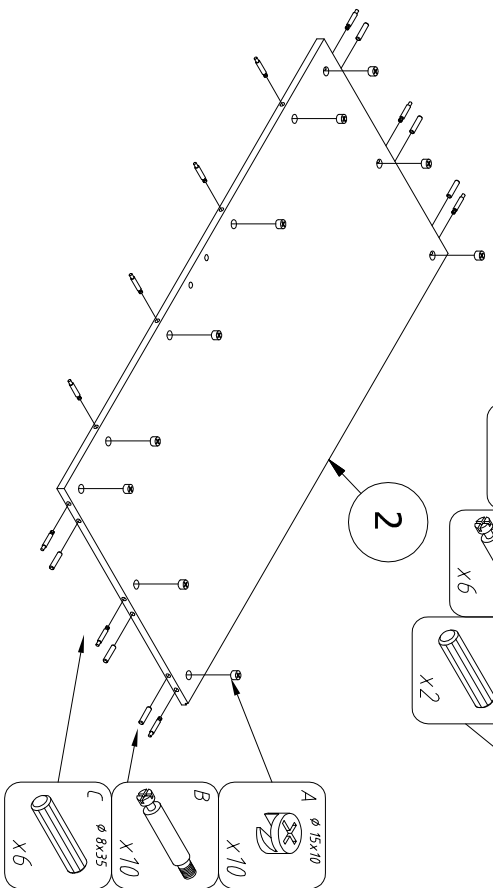
5



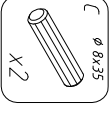
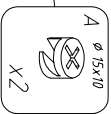
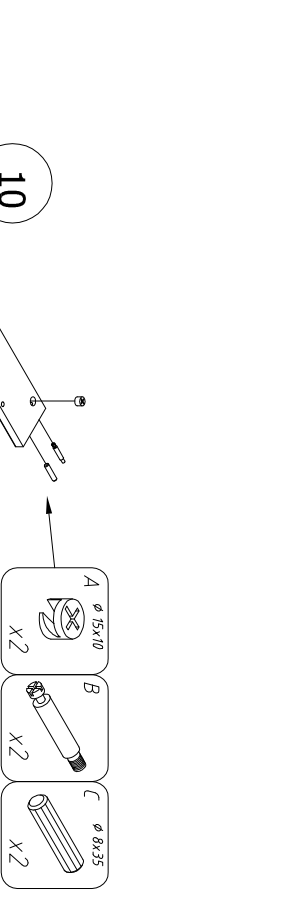
6



7



8



5



