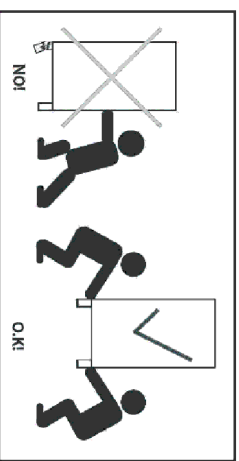
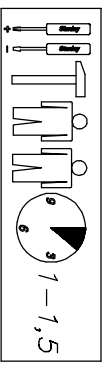


Instruction manual

Corsica

WARDROBE
56 27 11

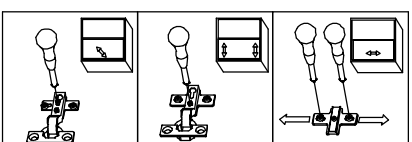
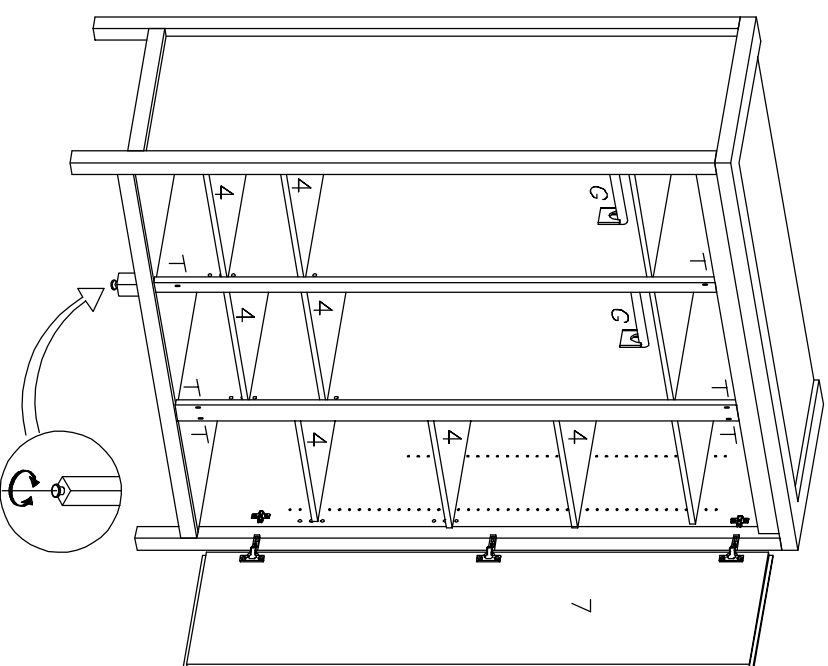
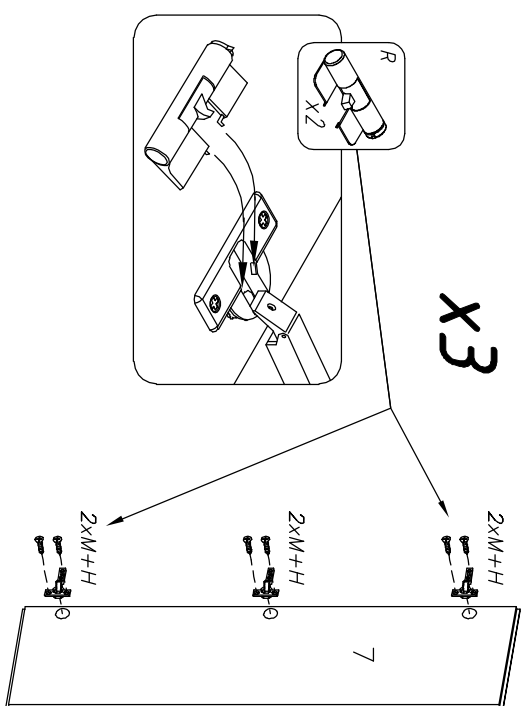
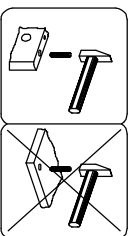
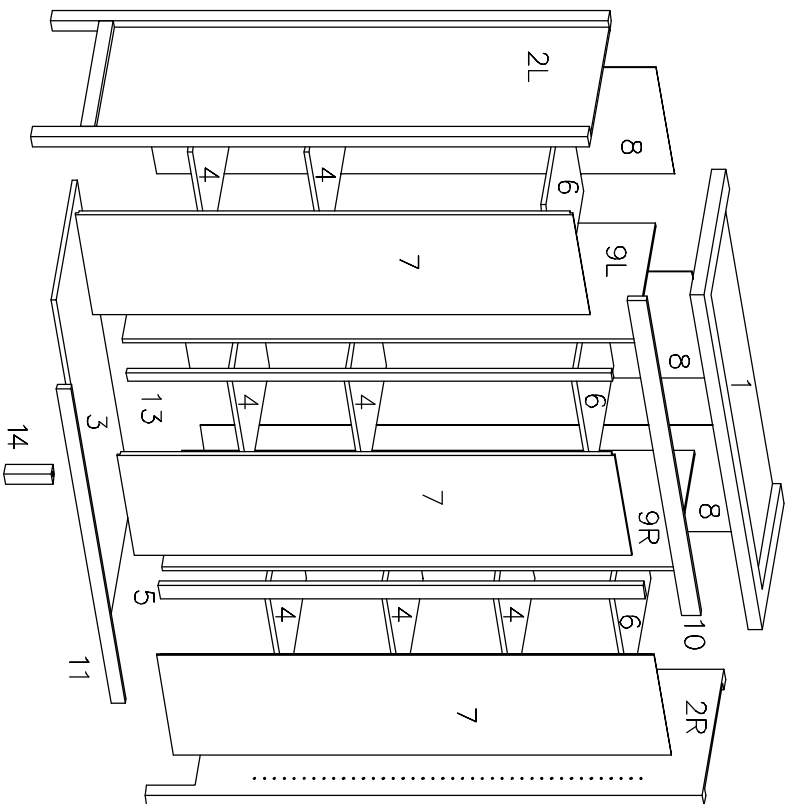


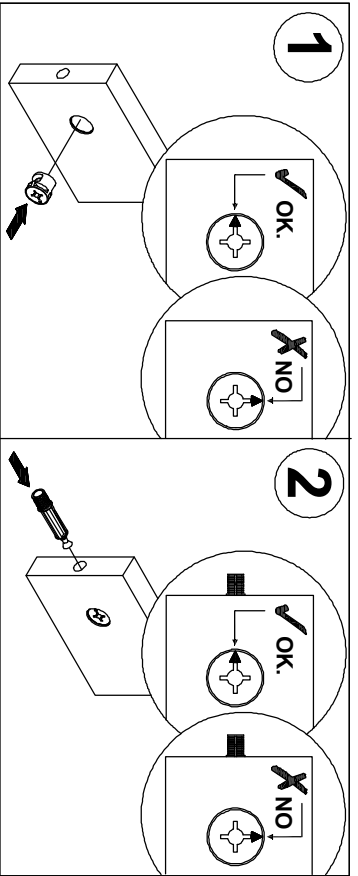
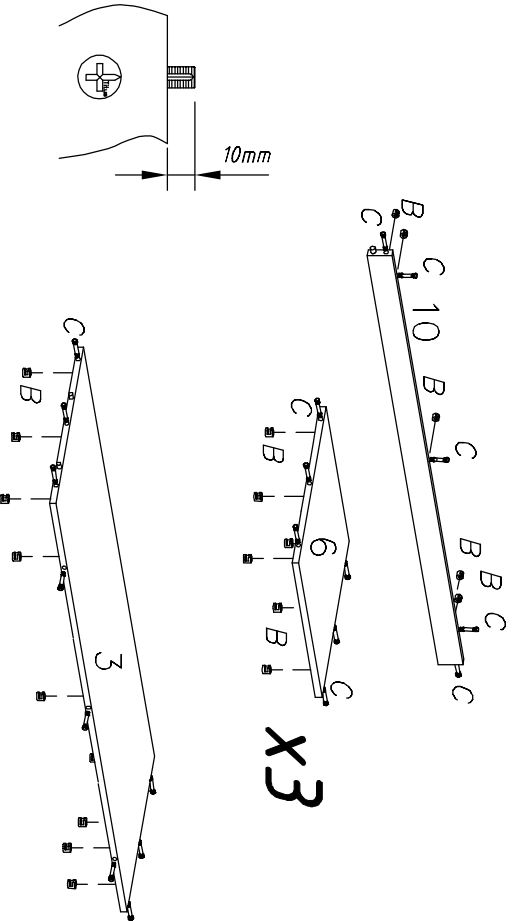
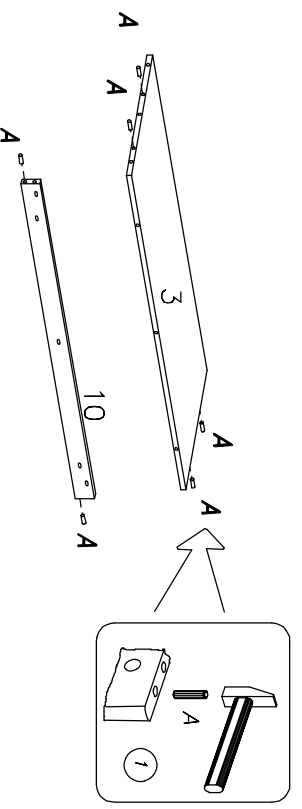
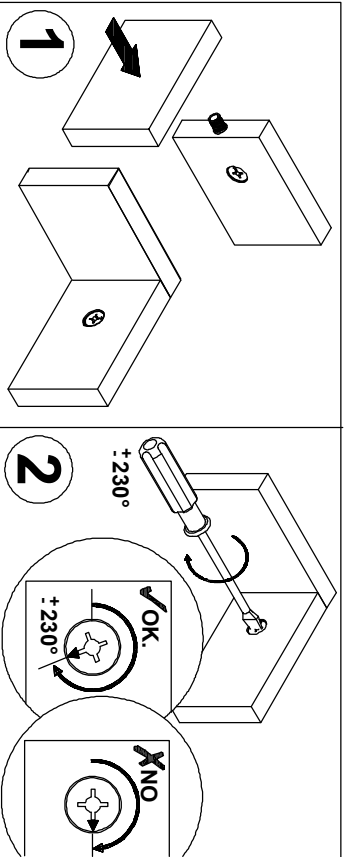
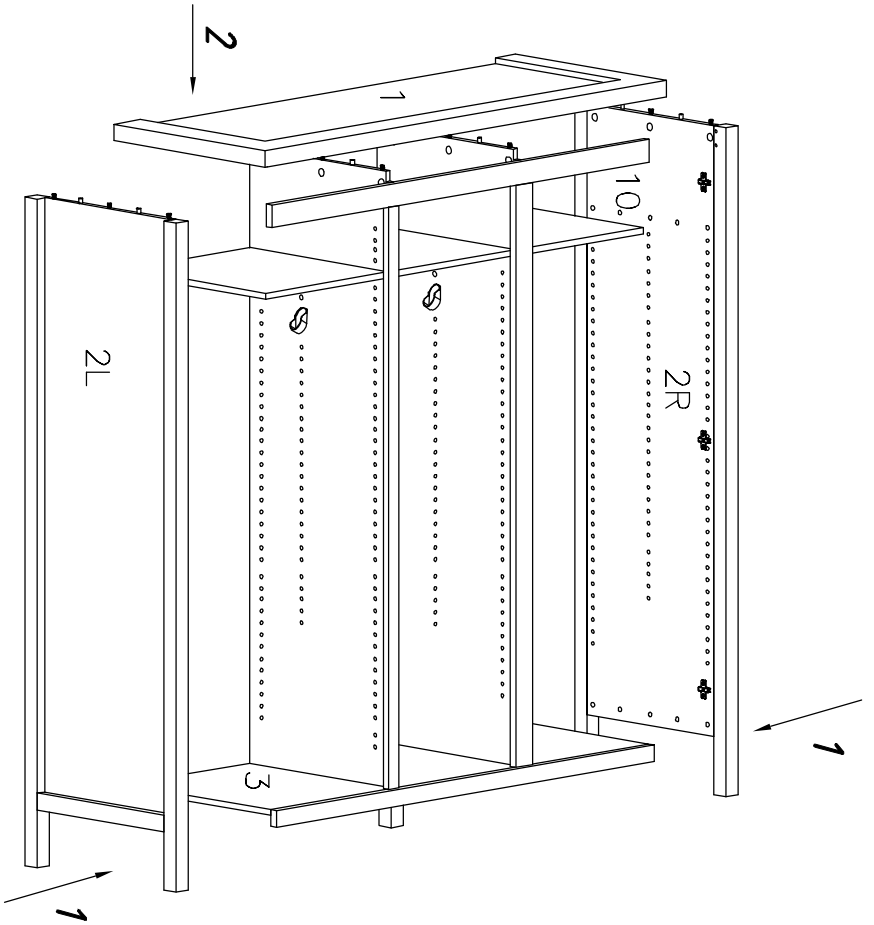
DISTRIBUTOR:

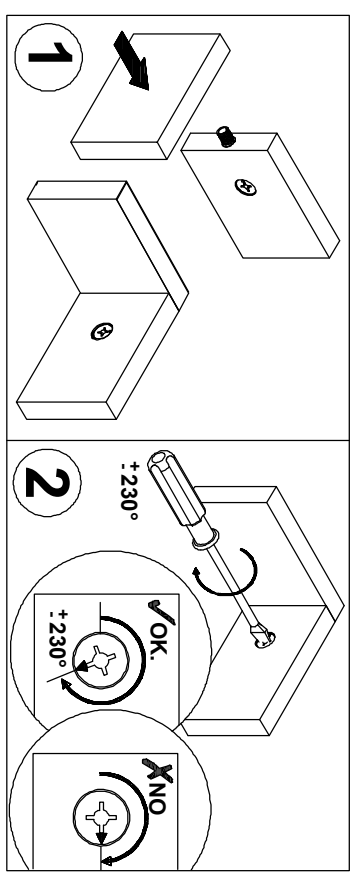
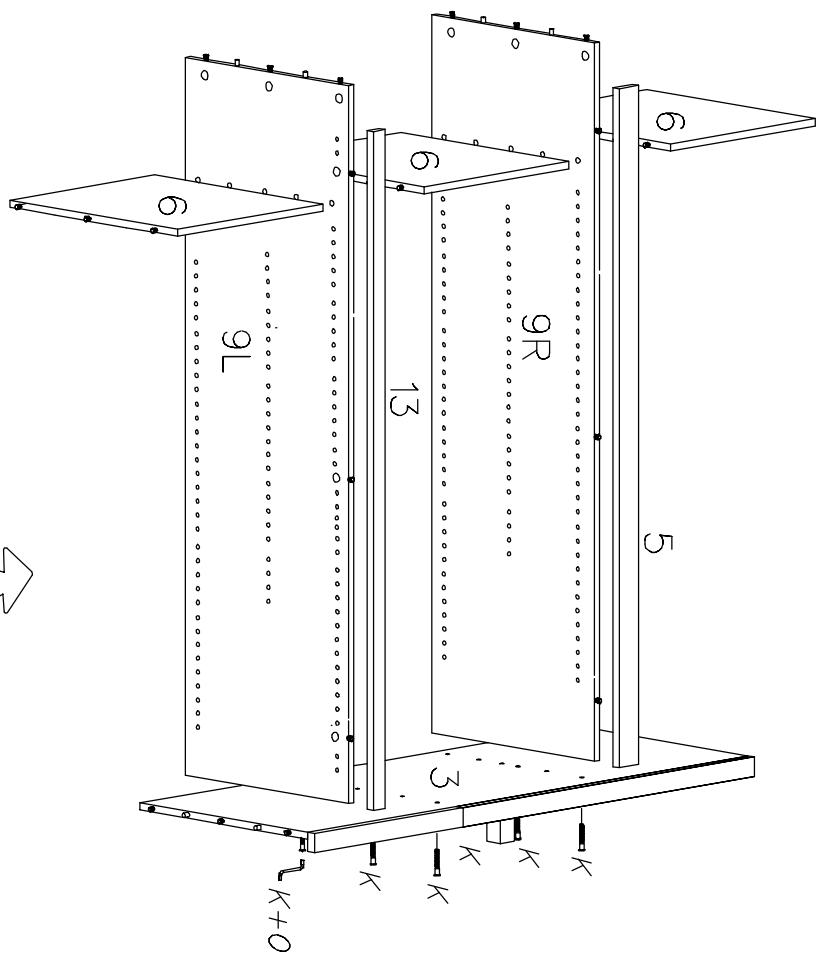
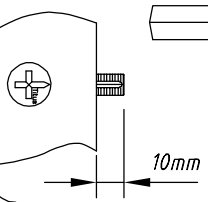
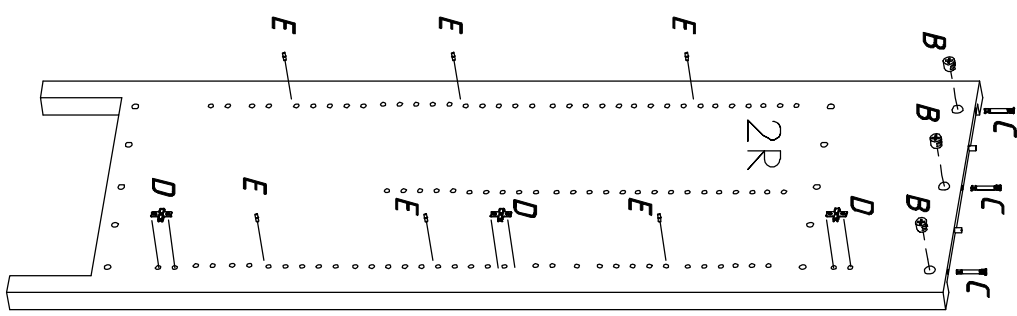
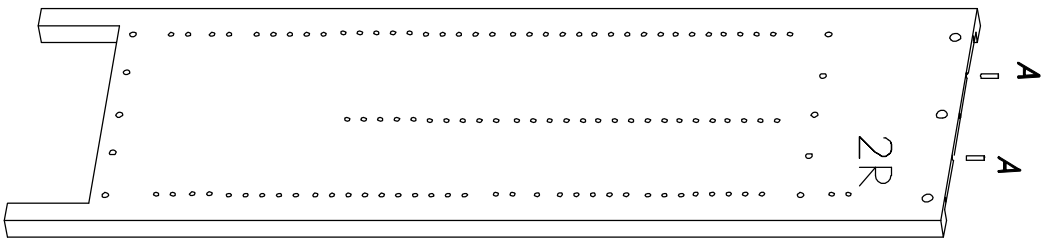
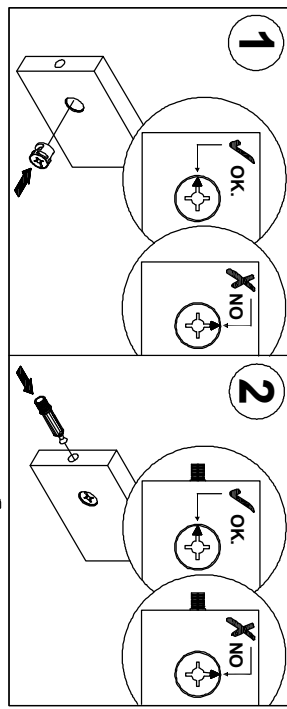
BOPITA

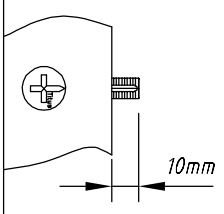
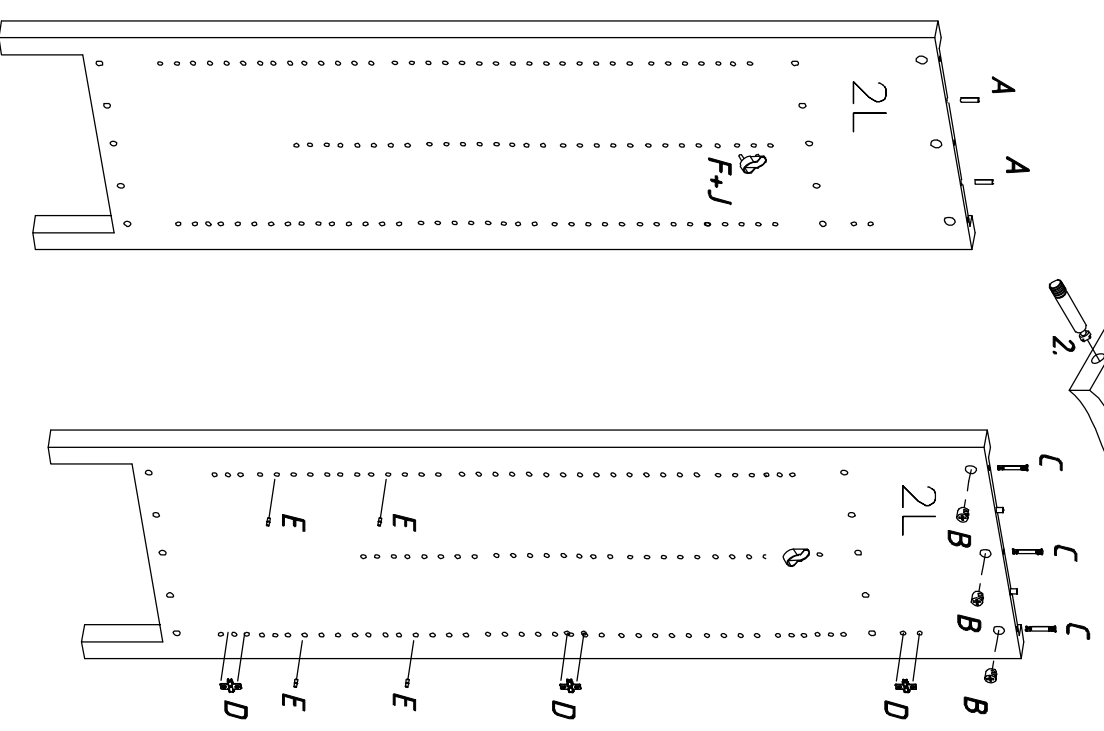
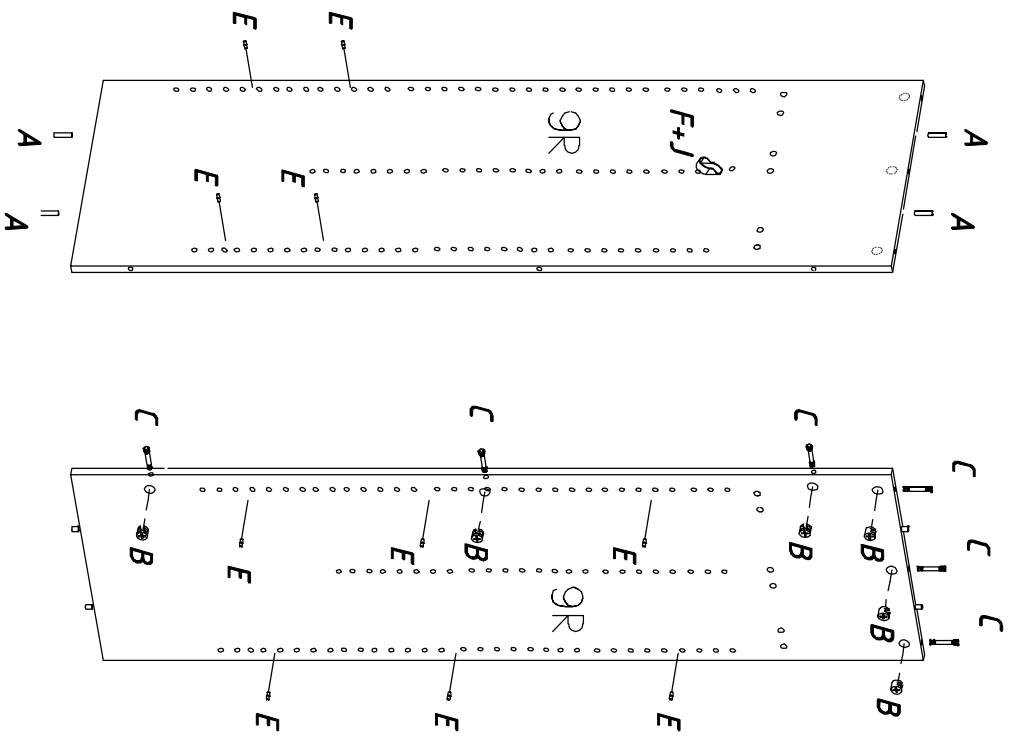
Edisonweg 3, 6662 NW Eist
The Netherlands
www.bopita.com

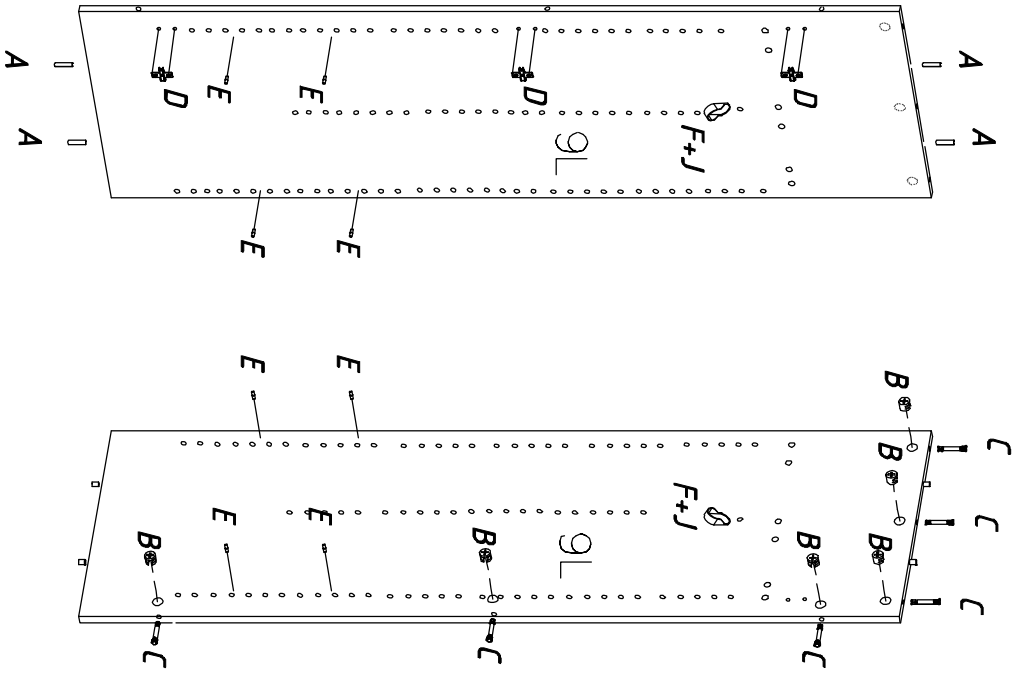
- | | | | | | | | | | | | | | | | | | |
|---|-----------------|---|----------------|---|--------------|---|----|---|------------|---|----------------|---|-------------------|----|----------|---|--------------|
| A | ∅ 4x35
X18 | B | ∅ 15x10
X50 | C | ∅ 5
X50 | D | X9 | E | ∅ 5
X28 | F | X4 | G | 4.4x3x30x15
X2 | H | X9 | J | ∅ 3x13
X4 |
| M | ∅ 3.5x25
X18 | O | X1 | P | ∅ 7x50
X7 | R | X6 | T | X6 | U | ∅ 2.5x16
45 | W | X11 | IB | M8
X1 | | |



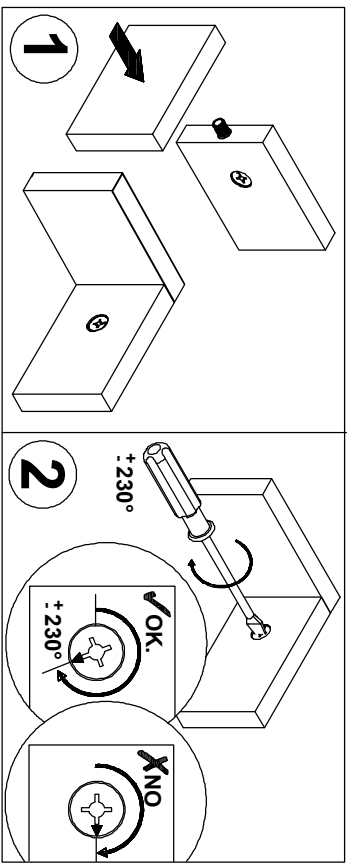




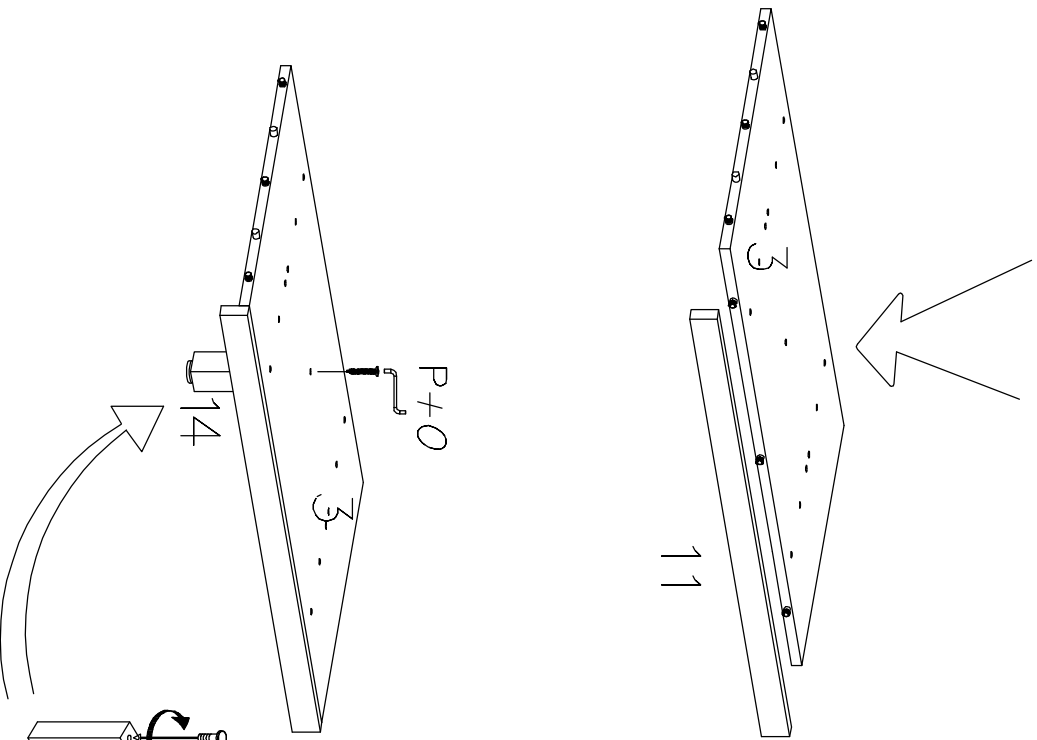




12



13



14