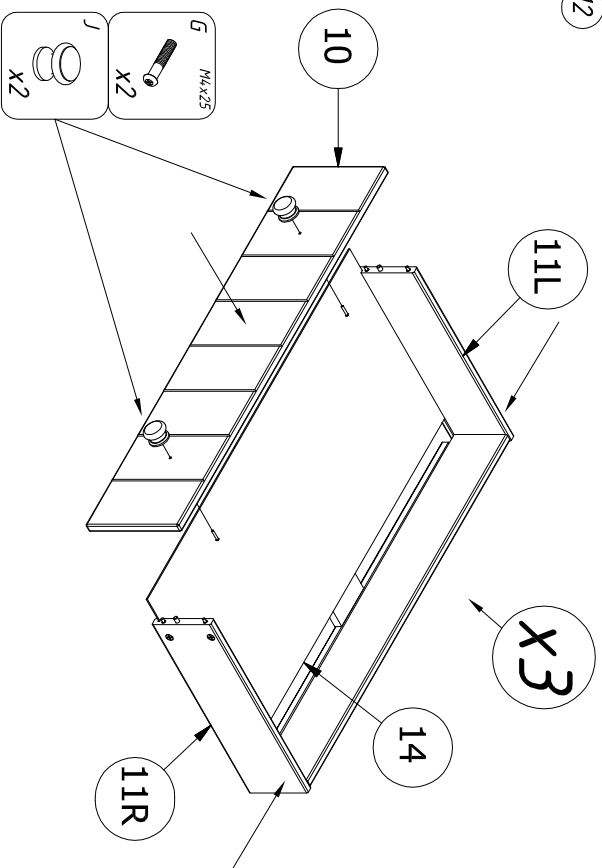
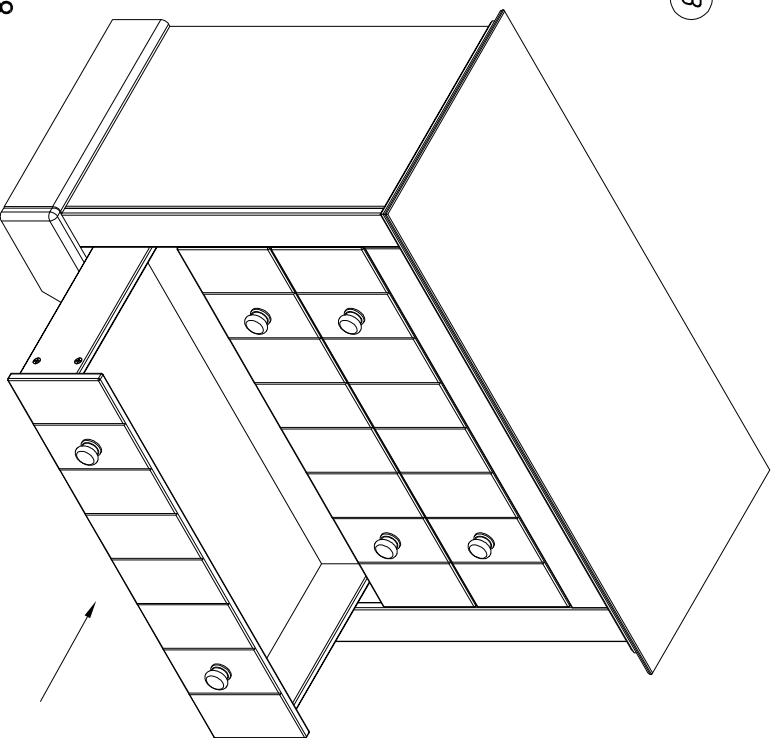


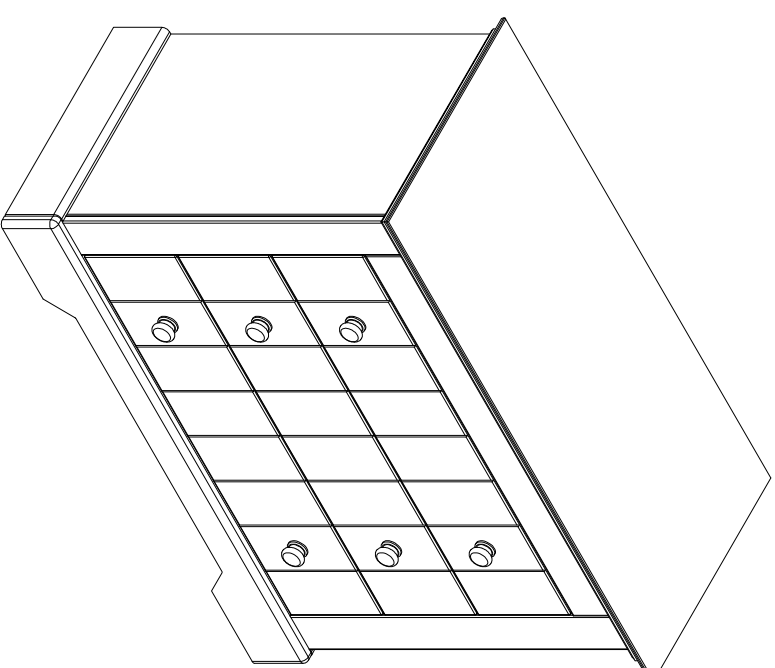
12



13



8



Manual instruction

**Narbonne**

DRESSER

17 01 11

DISTRIBUTOR:

**BOPITA**

Edisonweg 3, 6662 NW Elst

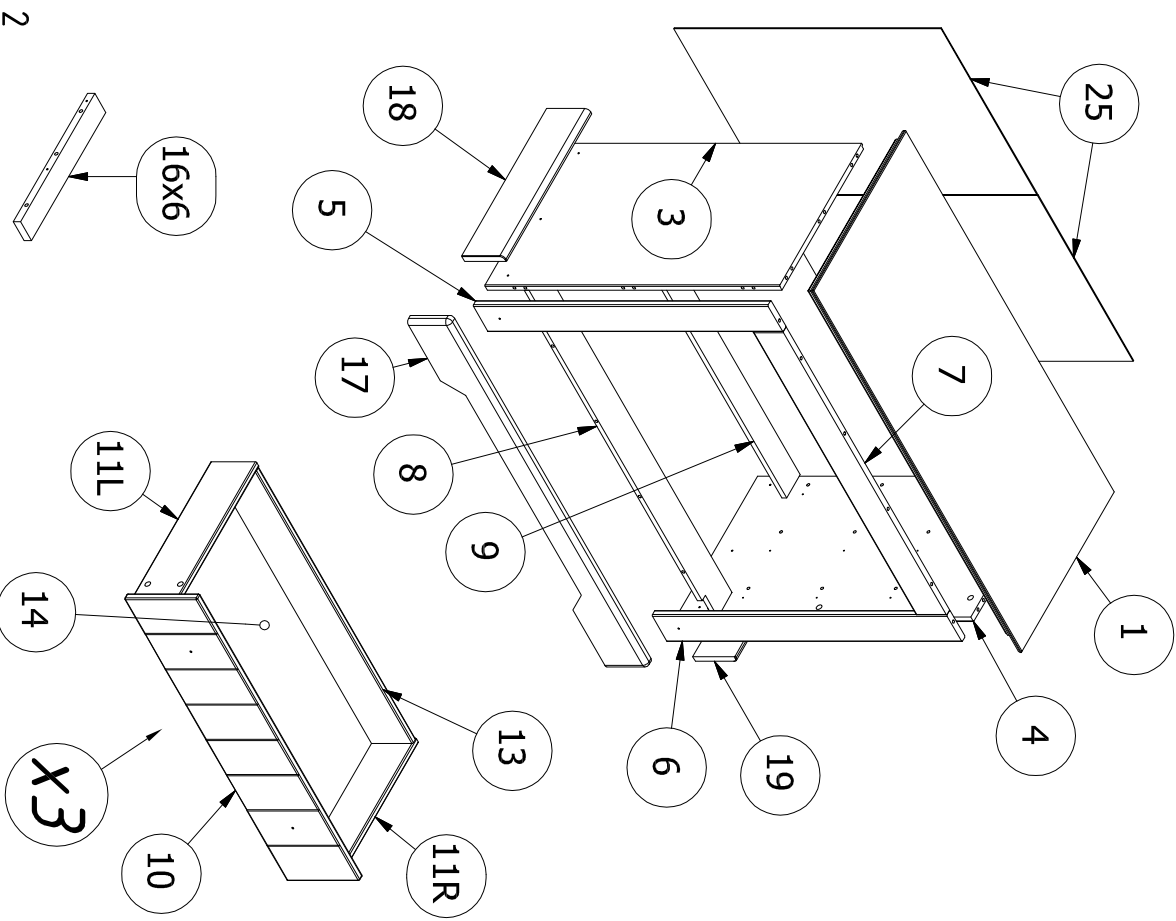
The Netherlands

[www.bopita.com](http://www.bopita.com)

30.10.2007.

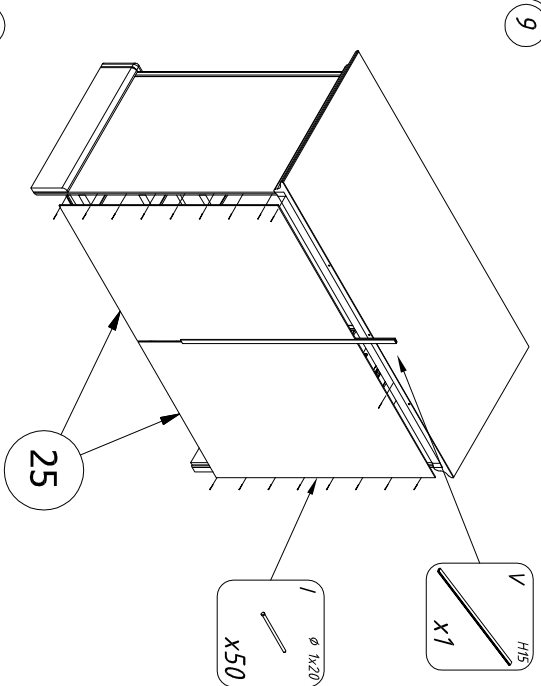
1

- A  $\varnothing$  15x10 X62
- B X62
- C  $\varnothing$  8x35 X56
- D  $\varnothing$  6.3x11.5 X12
- E  $\varnothing$  3.5x30 X8
- F  $\varnothing$  3.5x35 X24
- G M4x25 X4
- H H15 X1
- I  $\varnothing$  1x20 X50
- J X4
- K L=450 X1



2

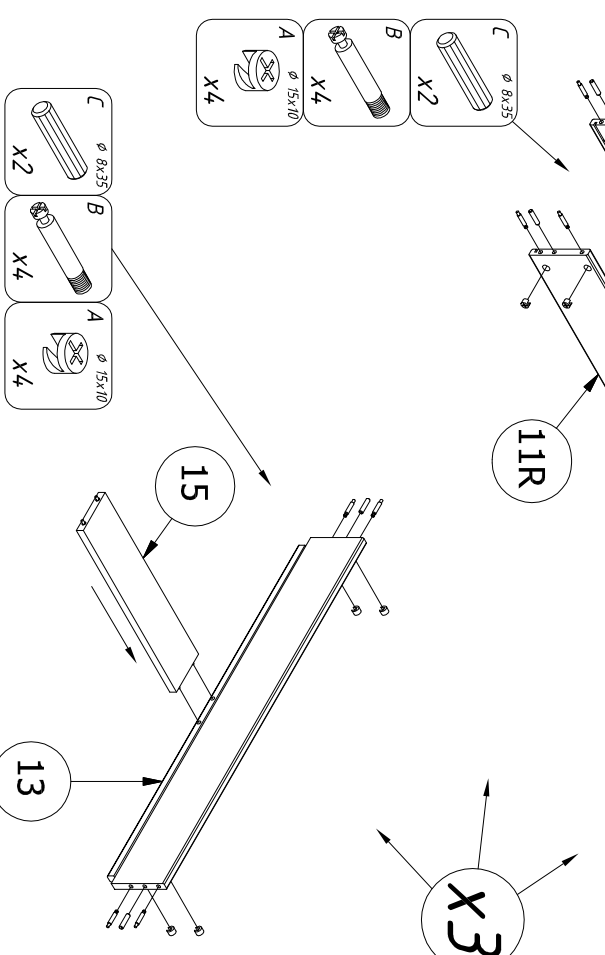
9



10



11



7

