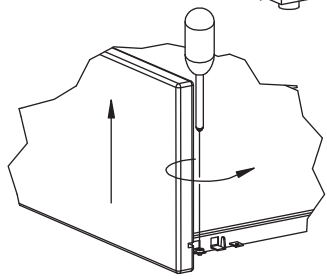
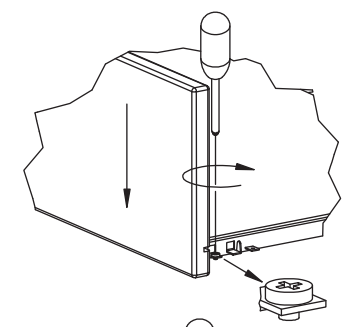
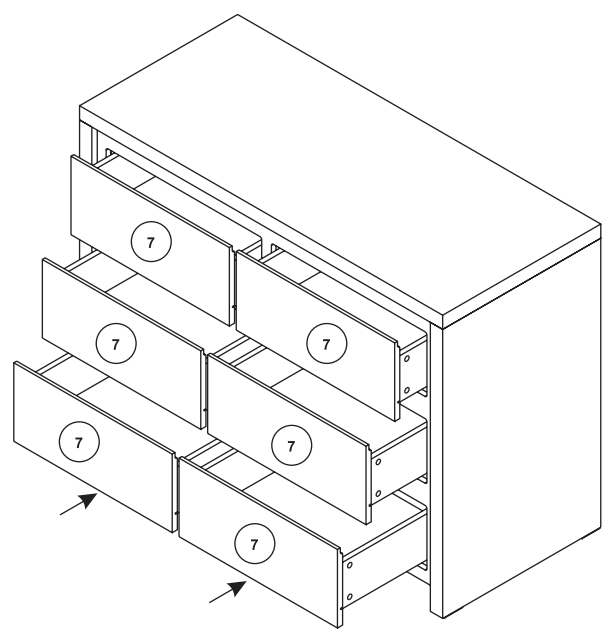


13



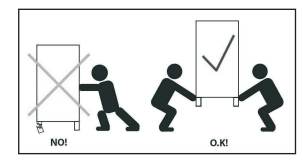
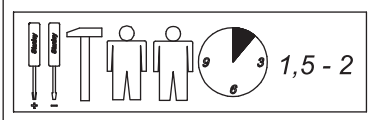
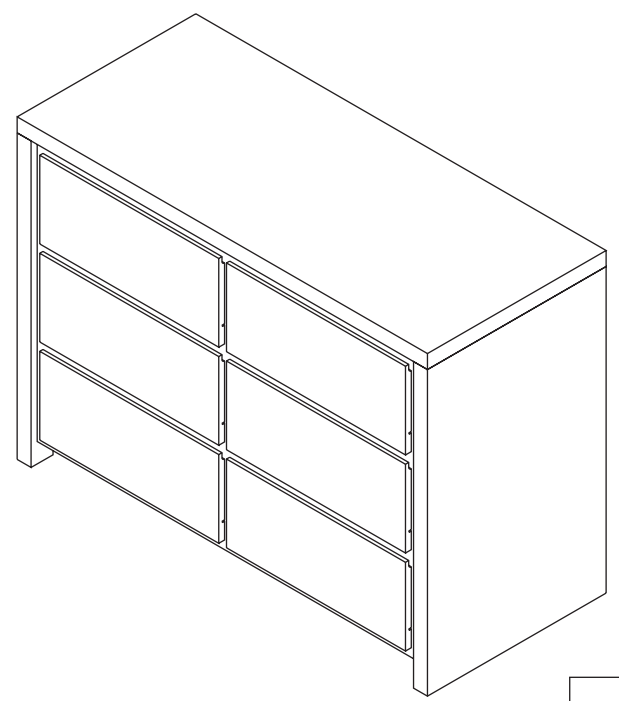
14

Instruction Manual

**CAMILLE**

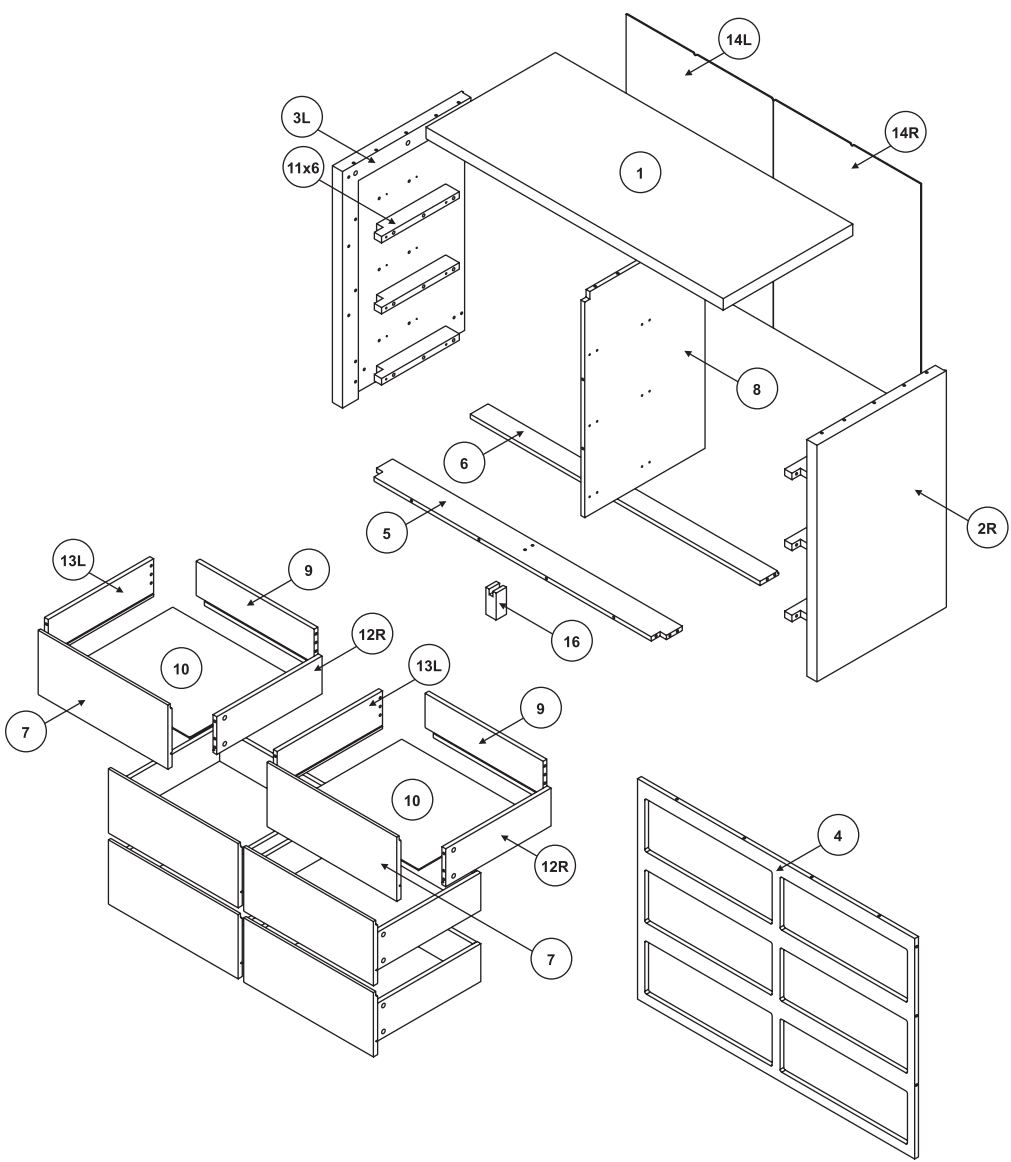
DRESSER 6 DRAWERS

14711511



DISTRIBUTOR:  
**BOPITA**  
 Edisonweg 3, 6662 NW Elst  
 The Netherlands  
[www.bopita.com](http://www.bopita.com)

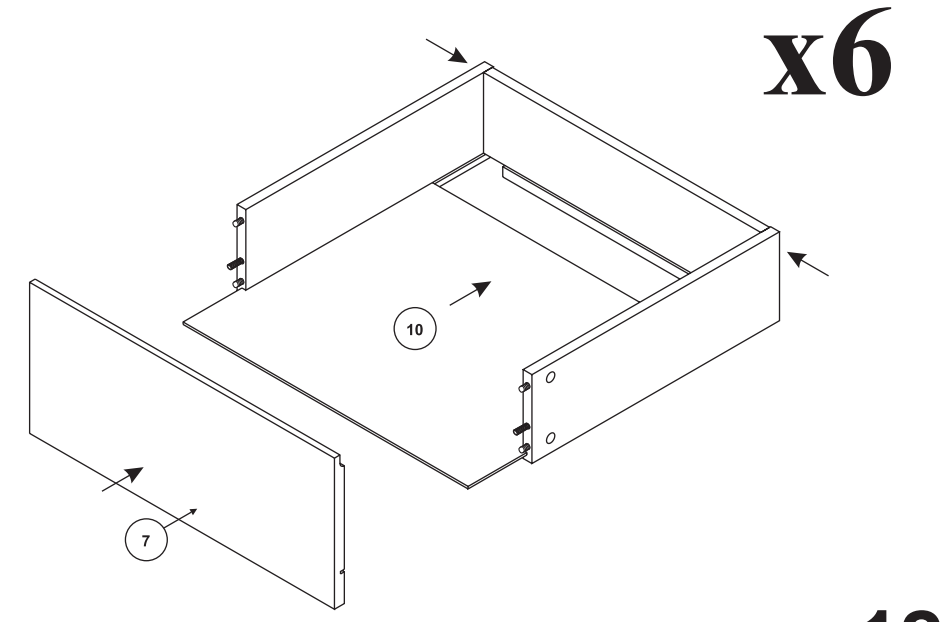
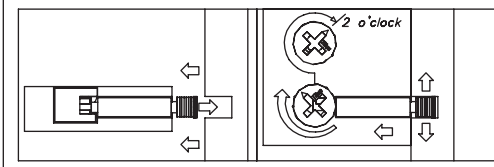
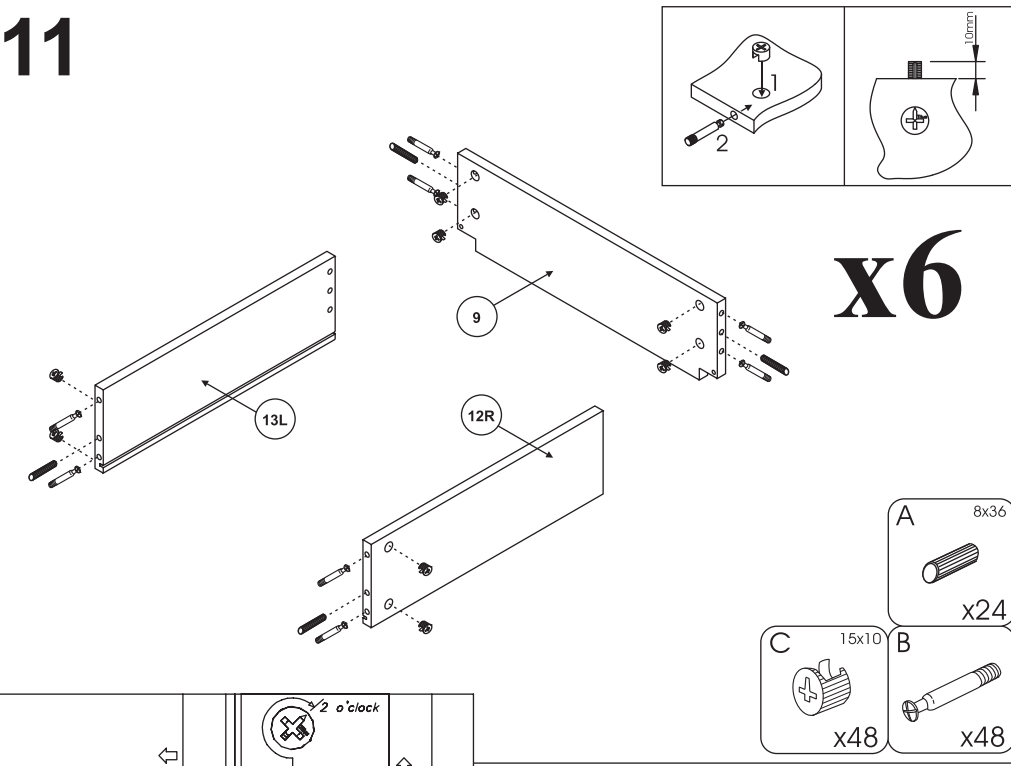
29.05.2012.



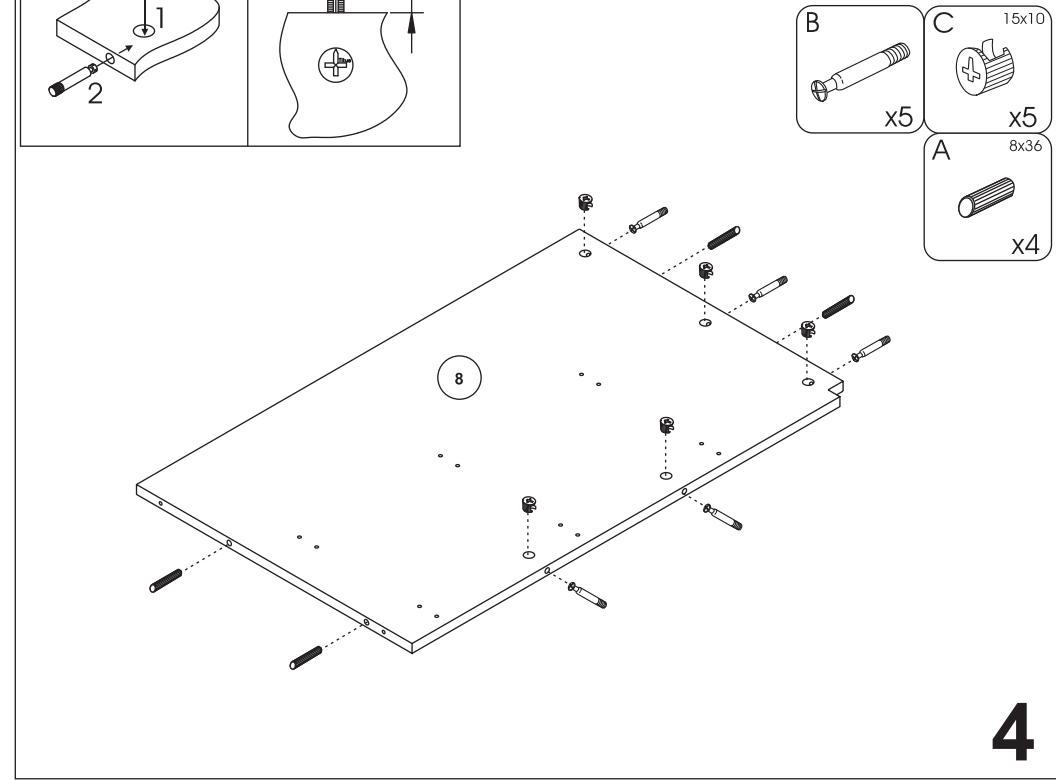
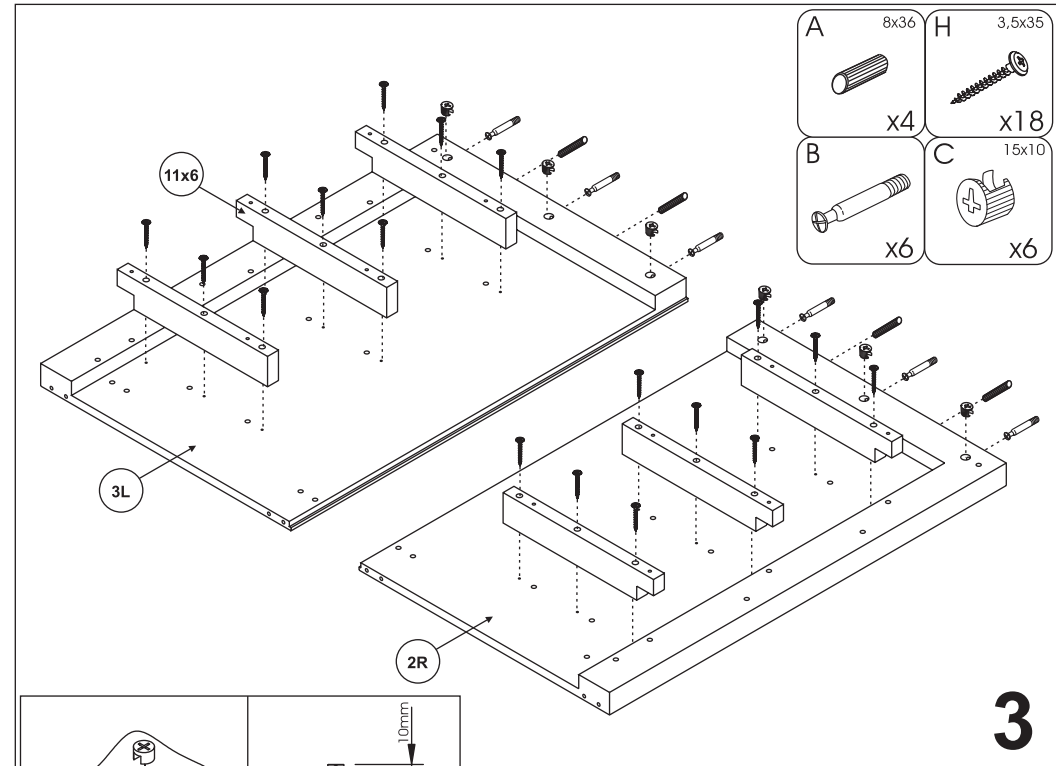
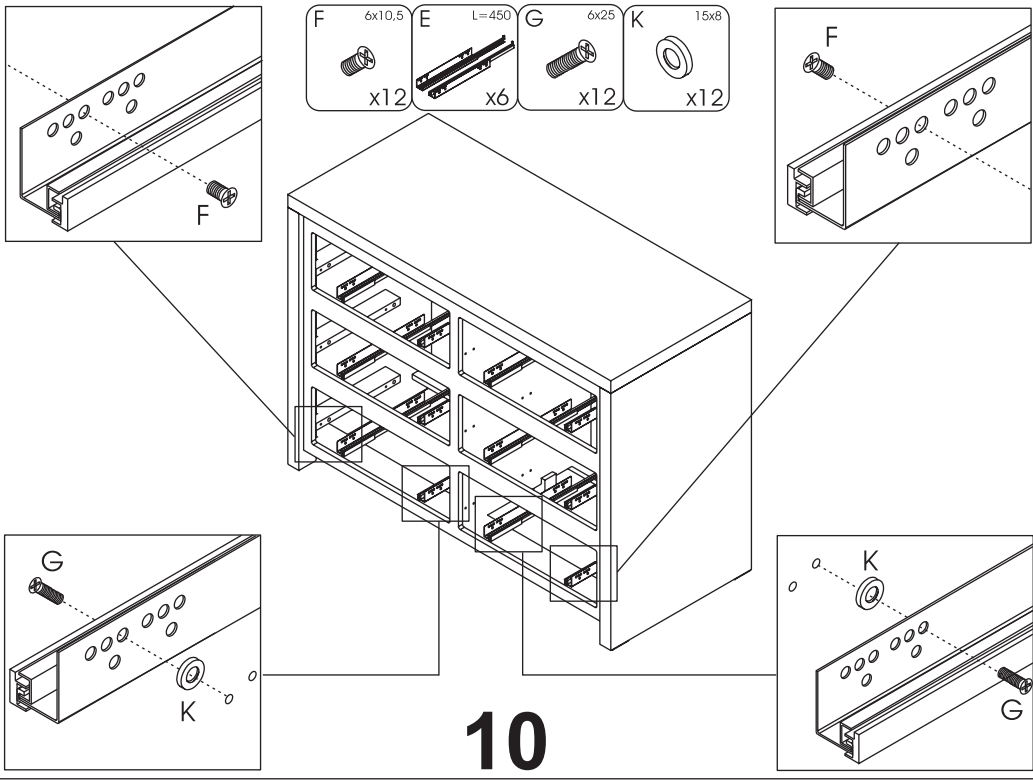
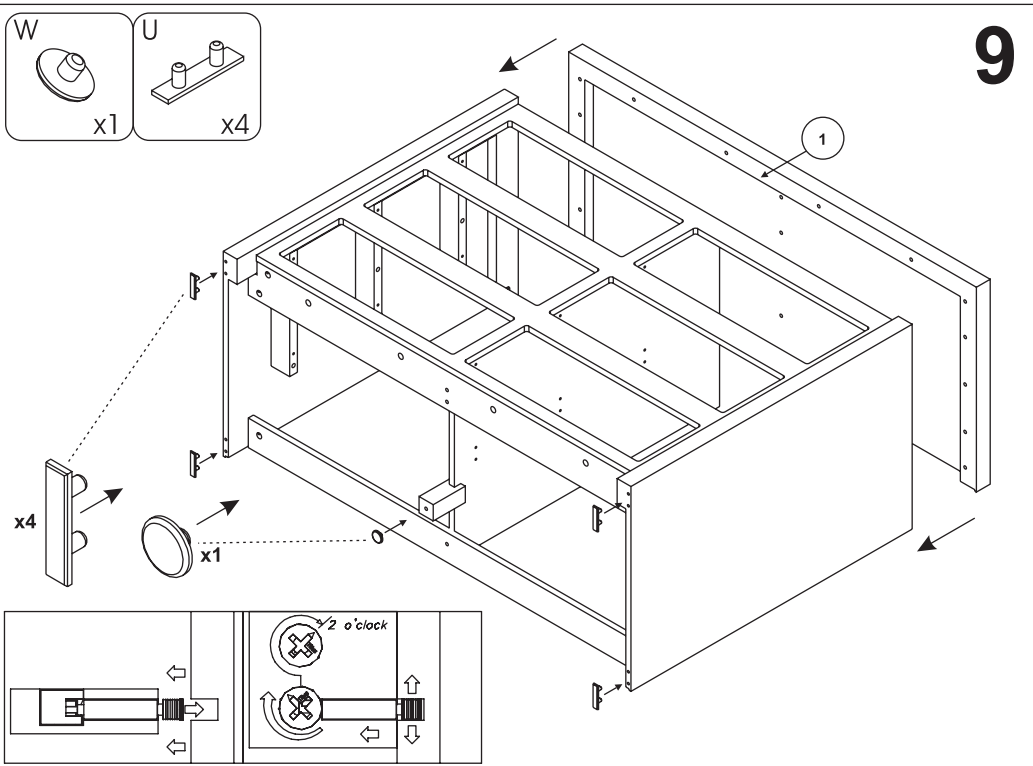
- |               |                 |                |               |                 |               |              |
|---------------|-----------------|----------------|---------------|-----------------|---------------|--------------|
| A 8x36<br>x36 | F 6x10,5<br>x12 | W<br>x1        | U<br>x4       | H 3,5x35<br>x18 | G 6x25<br>x12 | M 7x50<br>x2 |
| B<br>x79      | C 15x10<br>x79  | D 2x20<br>x100 | E L=450<br>x6 | TA<br>x8        | K 15x8<br>x12 | N 4mm<br>x1  |

**2**

**11**



**12**



9

3

10

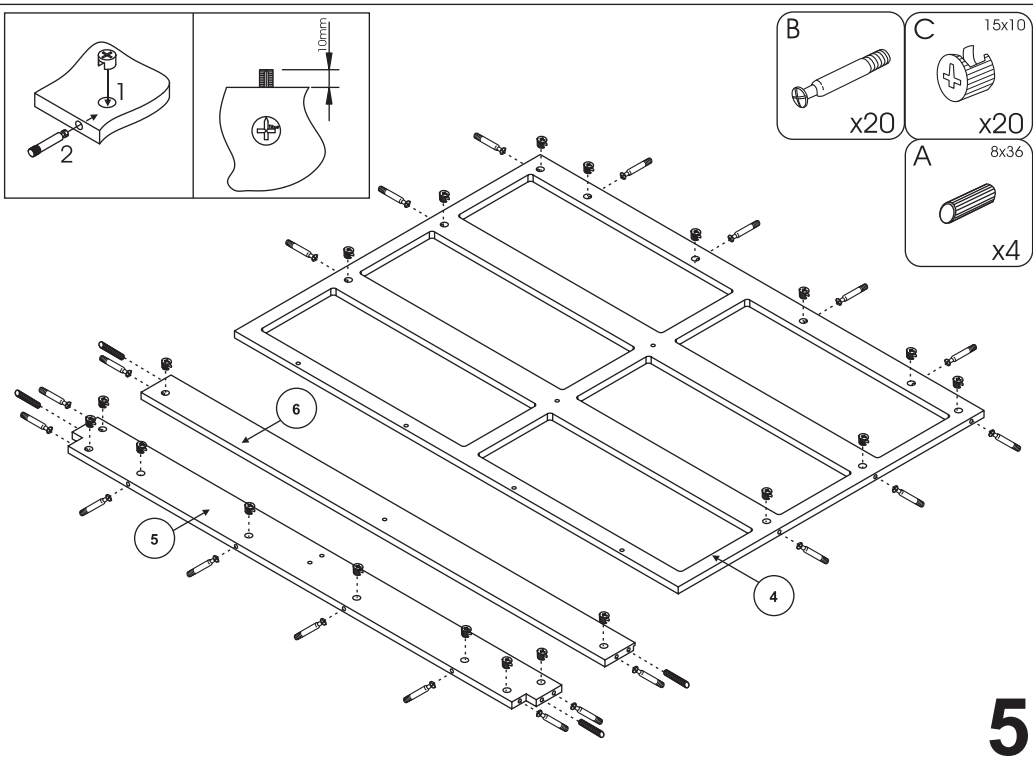
4

- W x1
- U x4

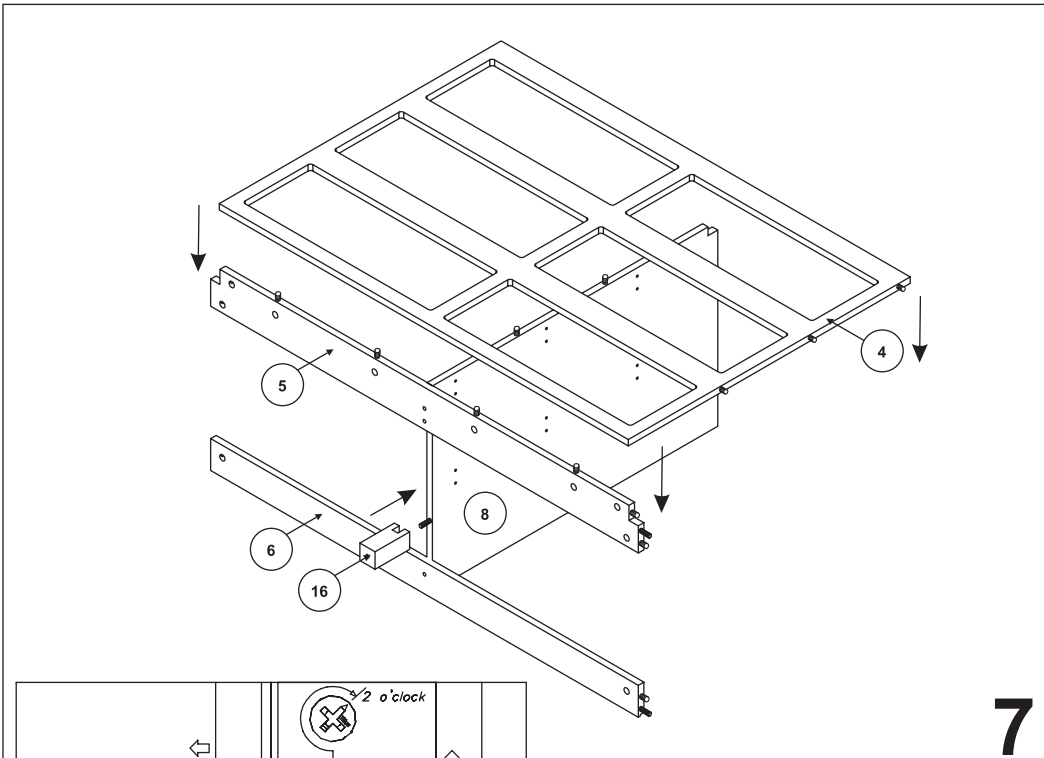
- A 8x36 x4
- H 3.5x35 x18
- B x6
- C 15x10 x6

- F 6x10,5 x12
- E L=450 x6
- G 6x25 x12
- K 15x8 x12

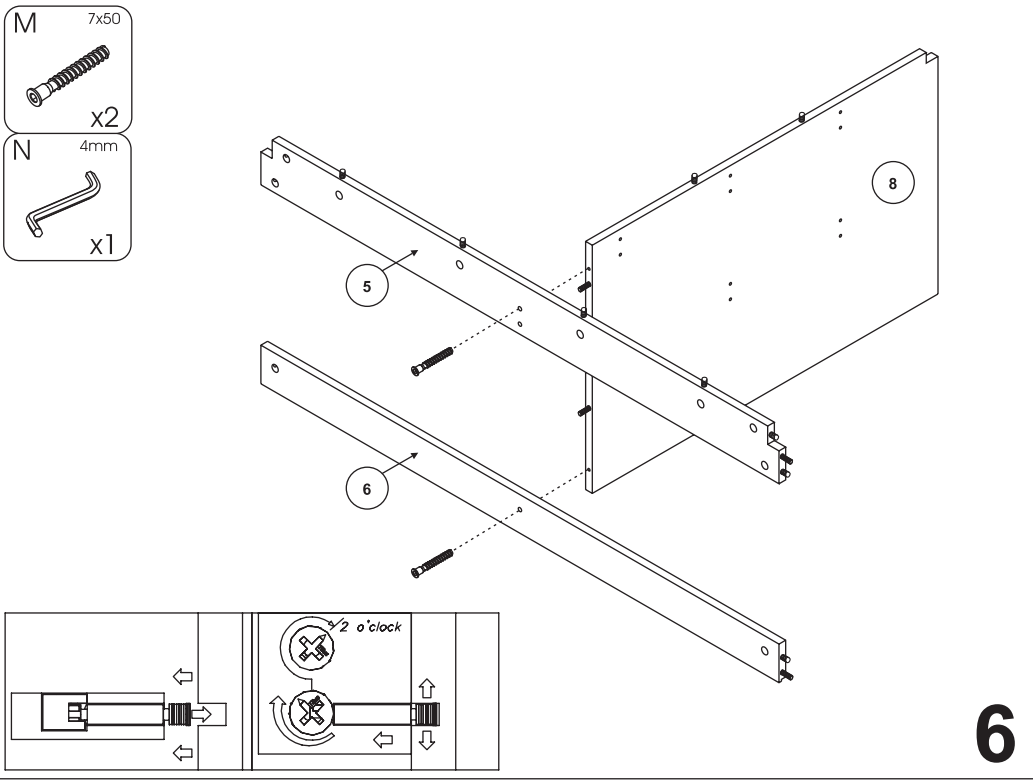
- B x5
- C 15x10 x5
- A 8x36 x4



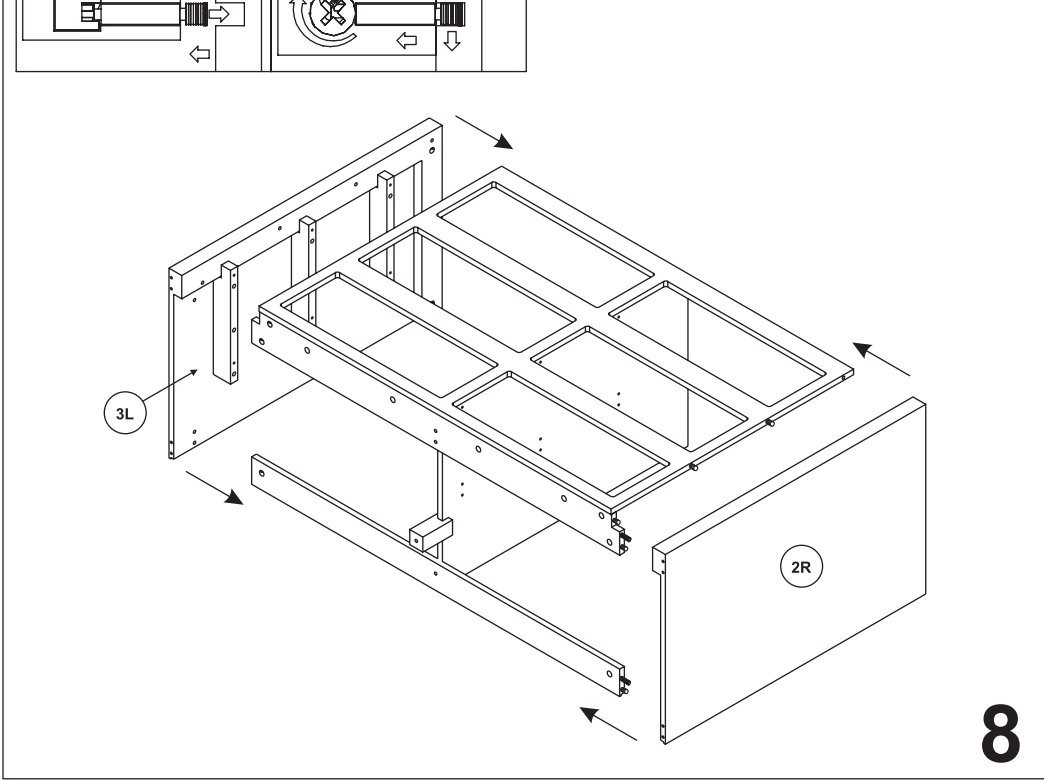
5



7



6



8