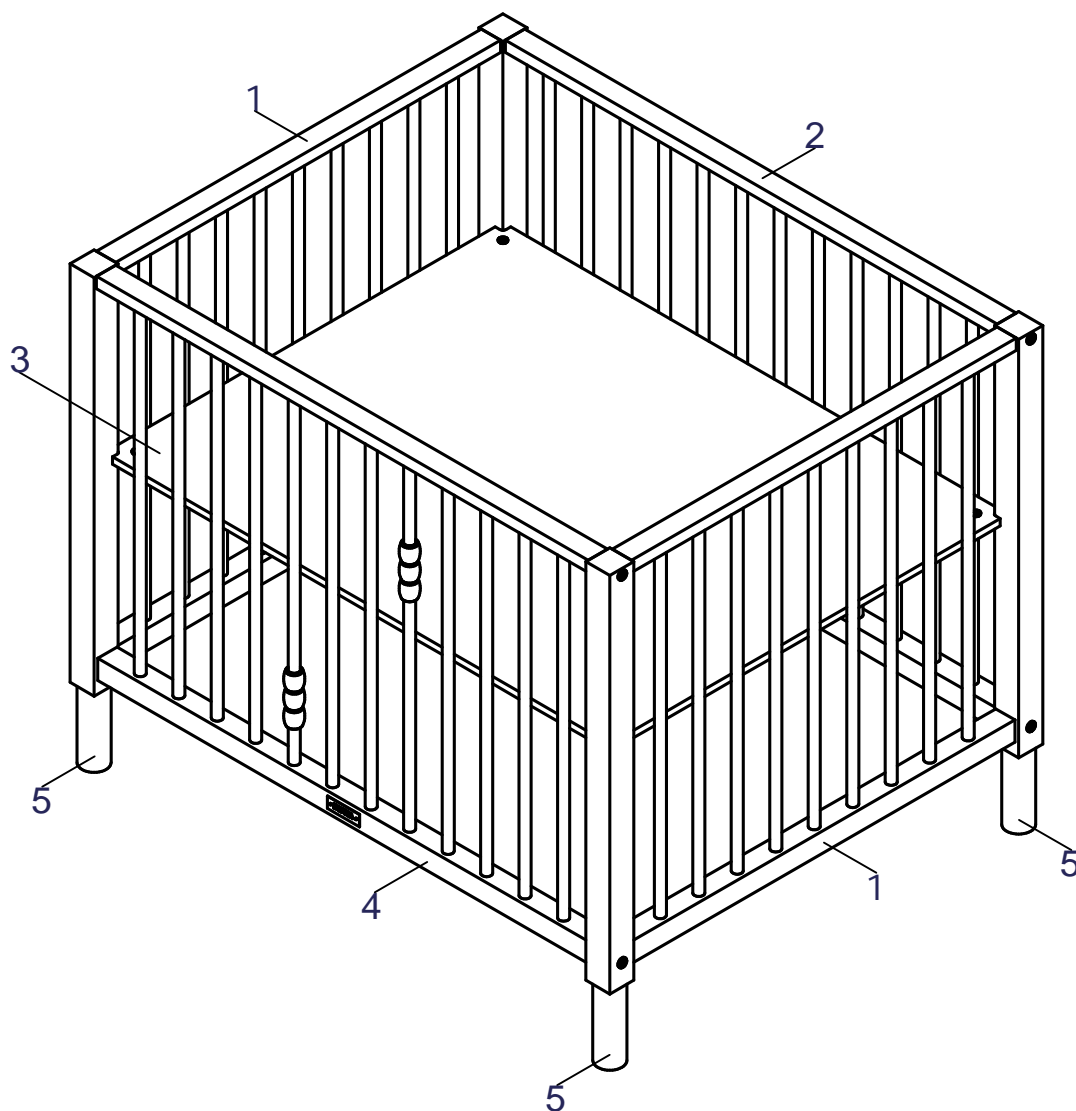


bopita®

ASSEMBLY INSTRUCTION
MONTAGE HANDLEIDING
MONTAGE ANLEITUNG
NOTICE DE MONTAGE
MANUAL DE MONTAJE

UK
NL
D
F
ESP

MODEL : PLAYPEN
TYPE : QUINN
COLOUR : WHITE/NATURAL
ART.CODE : 110043.03.











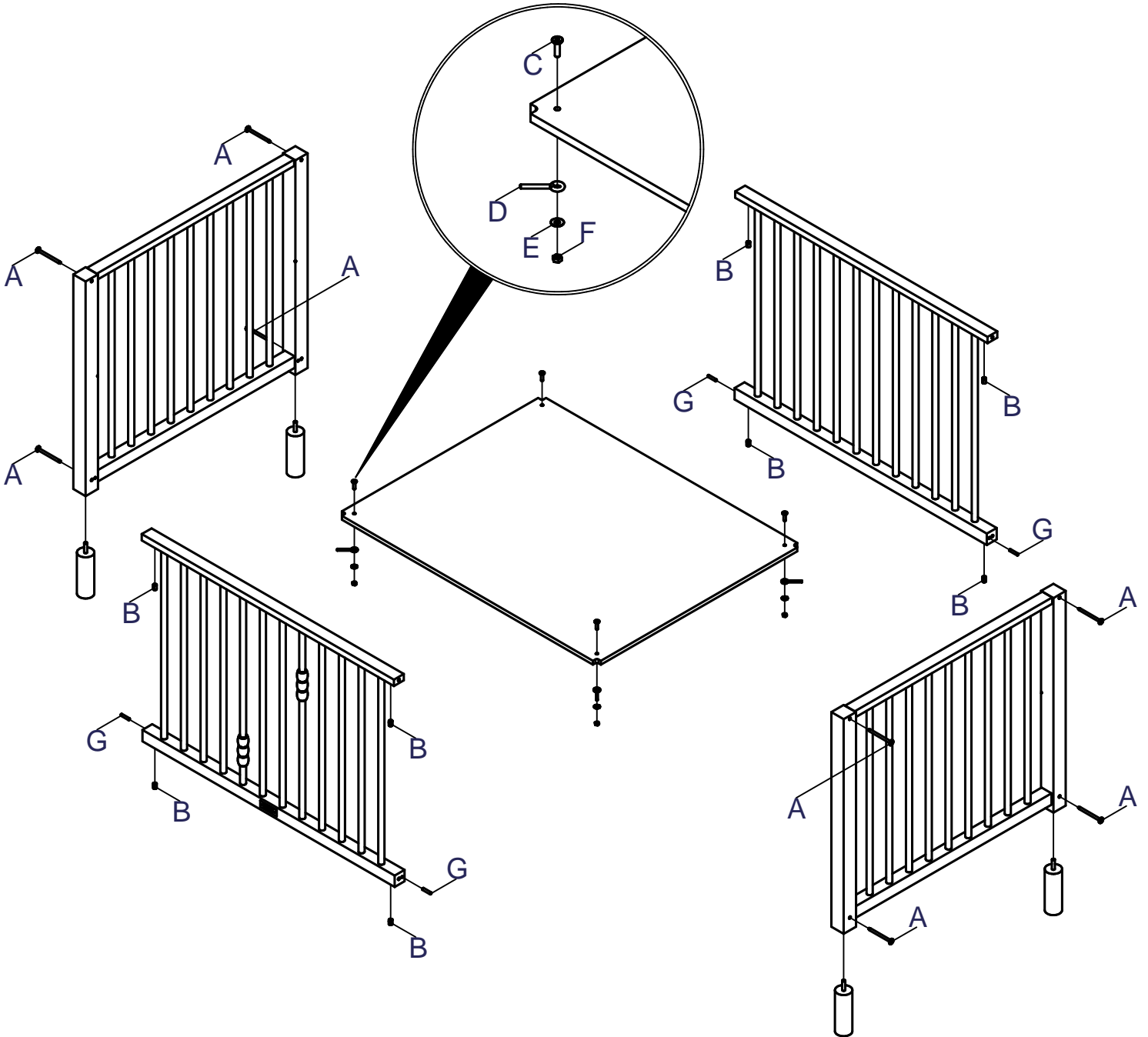
Distributor:

BOPITA
Edisonweg 3, 6662 NW Elst
The Netherlands

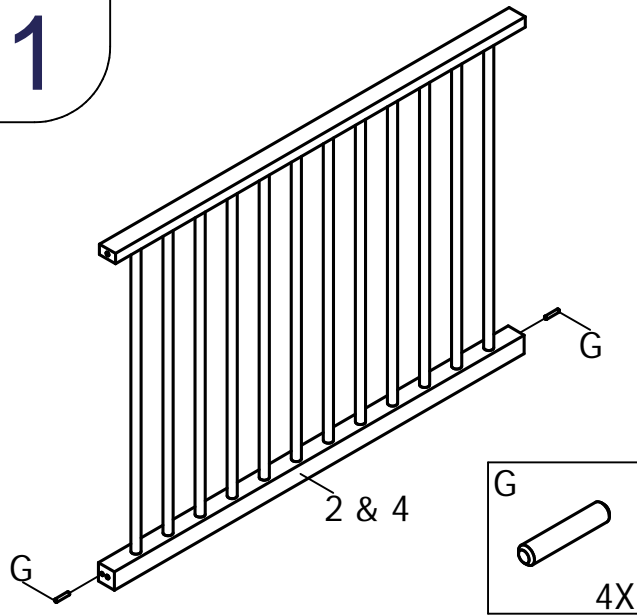
www.bopita.com

13.06.2018.

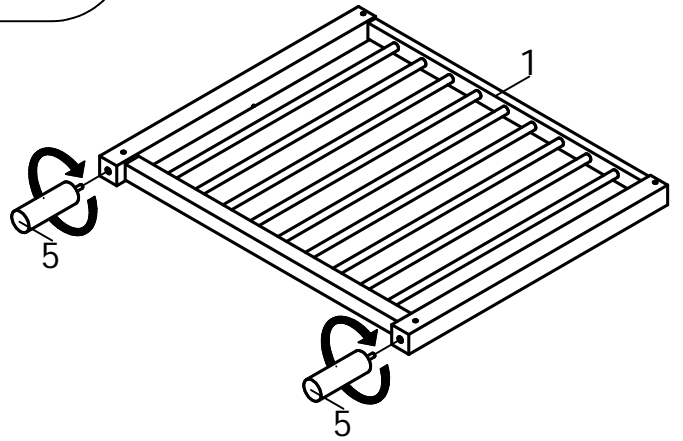
<p>A</p>  <p>M6X80 8X</p>	<p>B</p>  <p>M6 8X</p>	<p>C</p>  <p>M6X25 4X</p>	<p>D</p>  <p>4X</p>	<p>E</p>  <p>Ø6 4X</p>	<p>F</p>  <p>M6 4X</p>						
artcode: 441022		artcode: 442004		artcode: 441007		artcode: 897011		artcode: 446001		artcode: 442008	
<p>G</p>  <p>Ø6x30 4X</p>	<p>H</p>  <p>SW4 1X</p>										
artcode:		artcode: 445001									



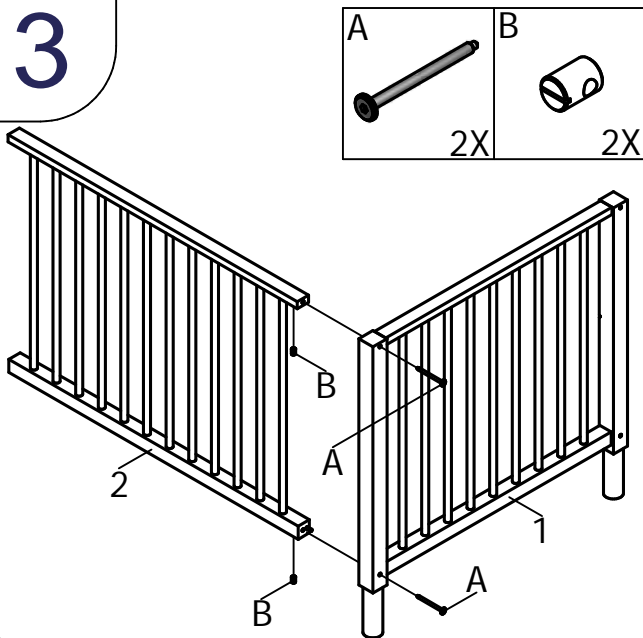
1



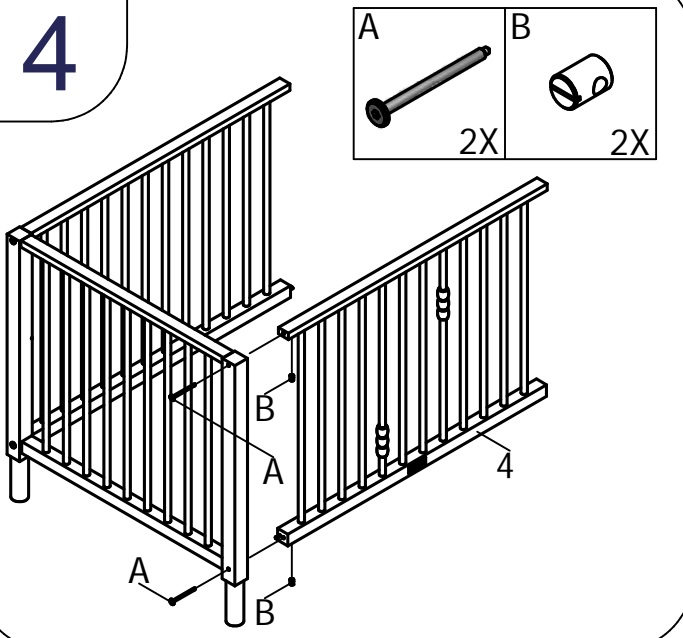
2



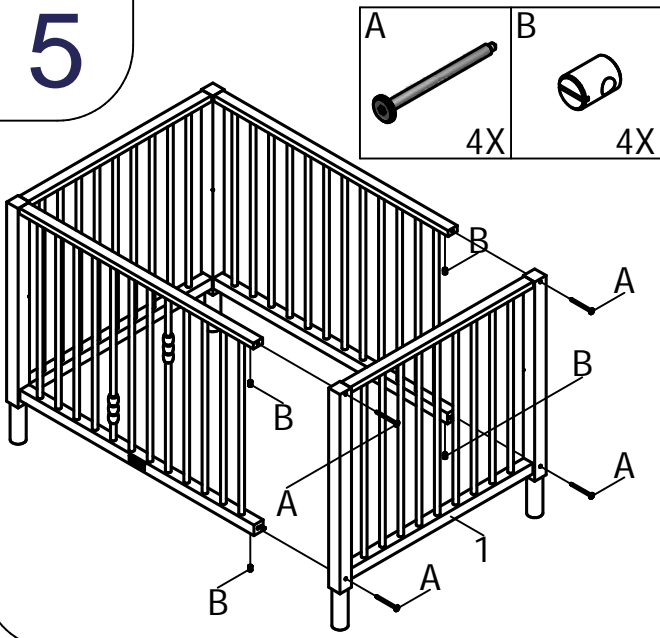
3



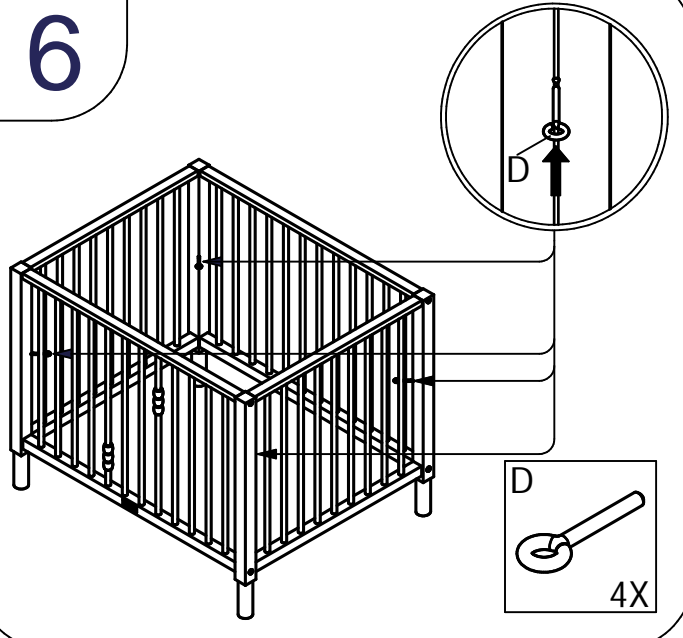
4



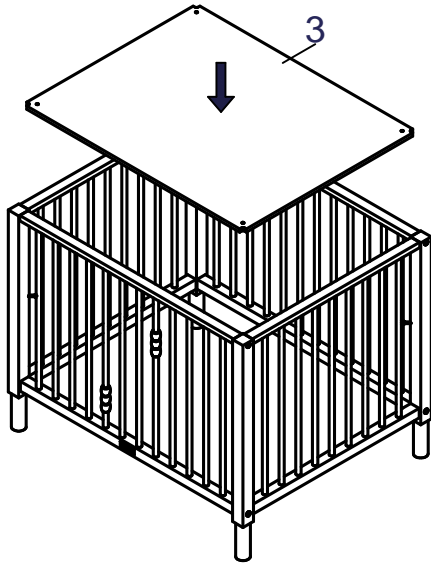
5



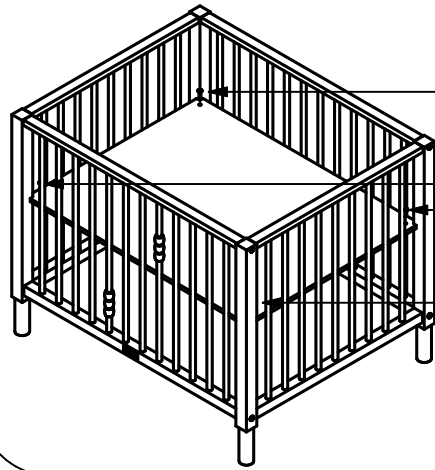
6



7



8



9

